

CATALOG NUMBER	
PROJECT NAME	TYPE
VOLTAGE	LAMPS



INDUSTRIAL STRIP

COMMERCIAL T5HO & T8

SPECIFICATIONS

- Specification Grade for New Construction or Renovation of any Building
- 4 and 8 ft Configurations Available (8 ft Fixture with 4 ft Lamp Configuration Only)
- Multiple Reflector Options
 - 95% Enhanced Aluminum
 - 91% White Aluminum
 - White Formed Ballast Cover
- Multiple Lamp and Ballast Options
 - T5HO or T8
 - Super T8 High Efficiency
- Riveted Construction for Durability
- Die-Formed Heavy-Gauge Cold Rolled Steel
- Damp Listed
- Ample KOs on Back and Ends
- Tool-Less Ballast Access



APPLICATIONS

- Warehouse
- Distribution Centers
- Retail Applications
- Manufacturing Facilities



ORDERING GUIDE:

F1042

-

E

-

T8/N

-

CORD

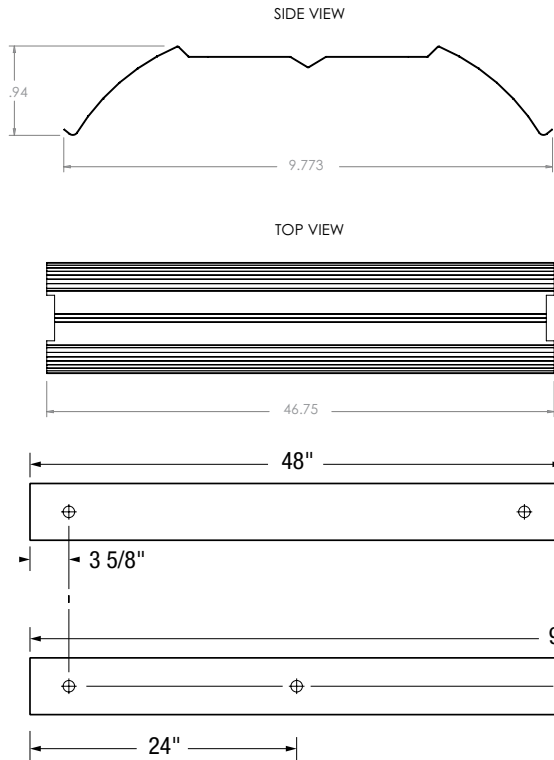
SERIES	REFLECTOR	BALLAST	OPTIONS
<input type="checkbox"/> F1041 - 4 FT - 1 LAMP <input type="checkbox"/> F1042 - 4 FT - 2 LAMP <input type="checkbox"/> F1043 - 4 FT - 3 LAMP <input type="checkbox"/> F1082 - 8 FT - 2 LAMP <input type="checkbox"/> F1084 - 8 FT - 4 LAMP <input type="checkbox"/> F1086 - 8 FT - 6 LAMP	<input type="checkbox"/> E - 95% Enhanced <input type="checkbox"/> W - 91% White <input type="checkbox"/> N - No Reflector	<input type="checkbox"/> T5/H - T5HO <input type="checkbox"/> T5/N - F28T5 NPF <input type="checkbox"/> T8/L - T8 LPF <input type="checkbox"/> T8/N - T8 NPF <input type="checkbox"/> T8/PSN - T8 NPF Program Start <input type="checkbox"/> T8/H - T8 HPF <input type="checkbox"/> T8/PSH - T8 HPF Program Start <input type="checkbox"/> 4H - 347-480V (T5HO only, T8 use SD480)	<input type="checkbox"/> XXXXBYY - XXXX= Total # of Lumens Required, Y = # of Lamps <input type="checkbox"/> WC - 11 Ga Wire Cage <input type="checkbox"/> FIOS - Factory Installed Occupancy Sensor <input type="checkbox"/> FIOSPC - Factory Installed Occ Sensor with Integrated Photocell <input type="checkbox"/> UP - Up Light <input type="checkbox"/> CORDX - Cord X = Spec Length <input type="checkbox"/> PLUG - Specified Type <input type="checkbox"/> QDCX - Quick Disconnect Cord, X = Length (Installed in Top Middle of Fixture Only) <input type="checkbox"/> EB- Extra Ballast <input type="checkbox"/> SD480 - 480V Step Down Transformer <input type="checkbox"/> VC - V-Clips <input type="checkbox"/> HB-XX-LOOP - Loop Cable System, XX = Length



CATALOG NUMBER	
PROJECT NAME	TYPE
VOLTAGE	LAMPS

INDUSTRIAL STRIP

COMMERCIAL T5HO & T8

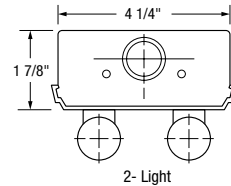


MOUNTING OPTIONS

- Surface
- Pendant
- Chain Hung

DIMENSIONS

- 4.3 in. x 48 in. x 3 in. - 4 Foot (w/o reflector)
- 4.3 in. x 96 in. x 3 in. - 8 Foot (w/o reflector)



F1041-EN-T5-UH

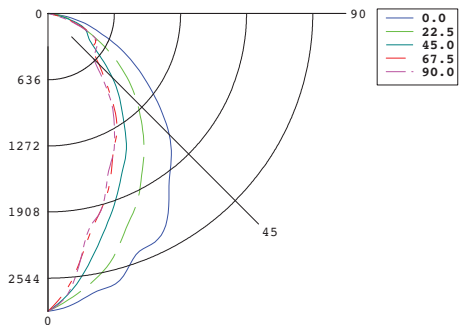
Luminaire Properties

Number of Lamps: 1
 Lumens Per Lamp: 5000
 Input Watts: 59
 Distribution: Direct
 Symmetry: Quadrilateral
 Photometric Type: Type C
 Luminous Shape: Rectangle
 Units: Feet
 Luminous Dimensions:
 0-180 Axis: 3.8
 90-270 Axis: 0.36
 Height: 0.24

Zonal Lumen Summary

Zone	Lumens	% Lamp	% Fixture
0-30	1689	34	37
0-40	2548	51	55
0-60	3917	78	85
0-90	4610	92	100
90-120	0	0	0
90-150	0	0	0
90-180	0	0	0
0-180	4610	92	100

Candela Plot



Coefficients of Utilization

pc<=	0.20																	
pc>>	0.80		0.70				0.50				0.30				0.10			
pw->	0.70	0.50	0.30	0.10	0.70	0.50	0.30	0.10	0.50	0.30	0.10	0.50	0.30	0.10	0.00	0.00	0.00	
RCR																		
0	110	110	110	110	108	108	108	108	103	103	103	99	99	99	94	94	94	
1	102	98	95	92	100	96	93	90	92	90	88	89	87	85	82	82	82	
2	94	87	82	77	92	85	80	76	82	78	74	79	76	73	70	70	70	
3	86	78	71	66	84	76	70	65	74	68	64	71	67	63	60	60	60	
4	80	70	62	57	78	69	62	56	66	60	56	64	59	55	53	53	53	
5	74	63	56	50	72	62	55	50	60	54	49	58	53	49	46	46	46	
6	69	57	50	44	67	57	49	44	55	49	44	54	48	43	41	41	41	
7	64	53	45	40	63	52	45	40	51	44	39	49	43	39	37	37	37	
8	60	48	41	36	59	48	41	36	47	40	36	46	40	36	34	34	34	
9	56	45	38	33	55	44	38	33	43	37	33	42	37	33	31	31	31	
10	53	42	35	30	52	41	35	30	40	34	30	40	34	30	28	28	28	