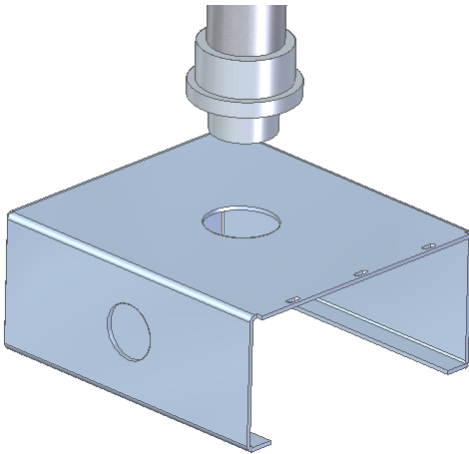


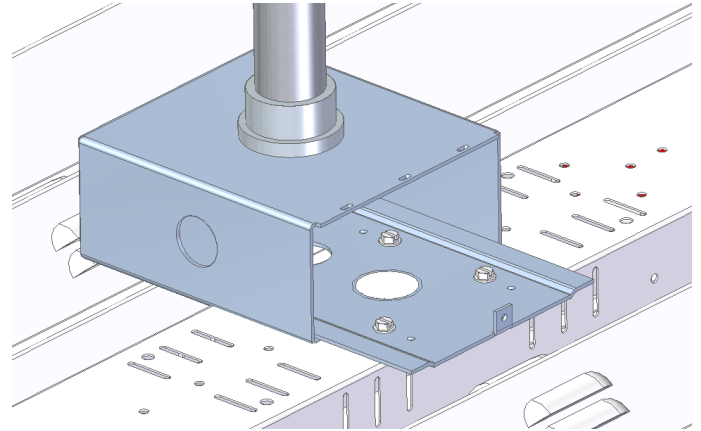


## FMB Installation Instructions

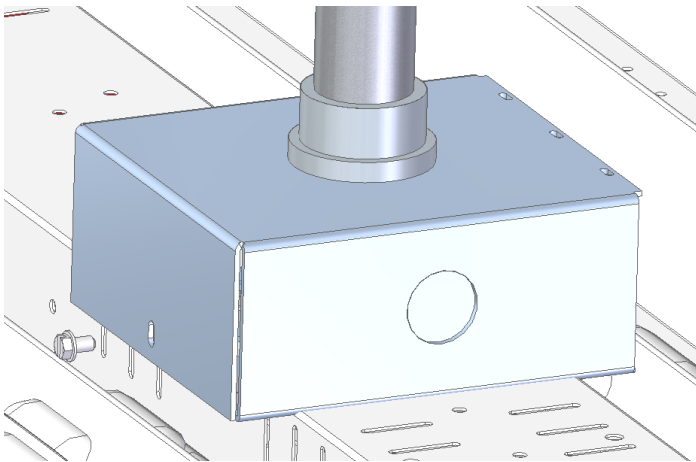
**WARNING:** Before beginning installation, ensure that fixture is disconnected from electrical power.



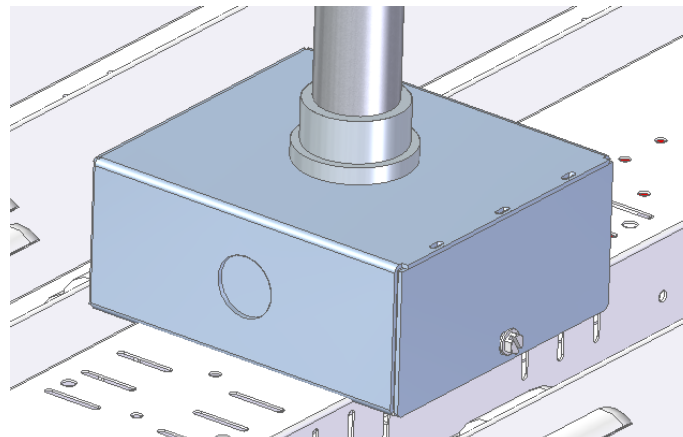
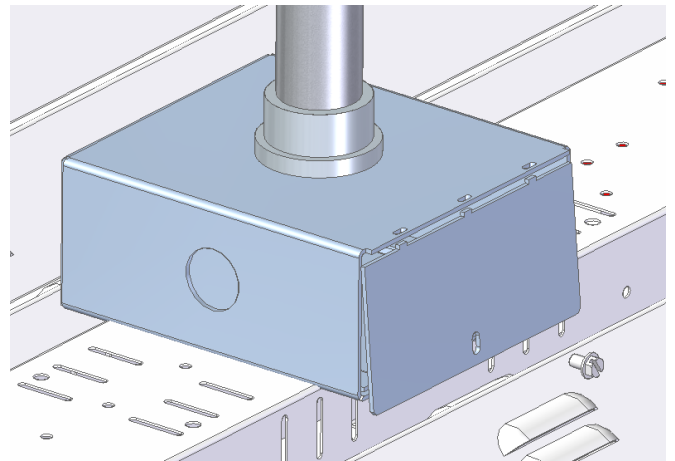
- Mount FMB BOX with HUB or HOOK



- Slide the fixture thru the FMB SLIDE and secure on the back with 8-32 screw



- Perform the appropriate wiring and close with FMB DOOR using (1) 8-32 screw included



- Make sure that the FMB is fully secured