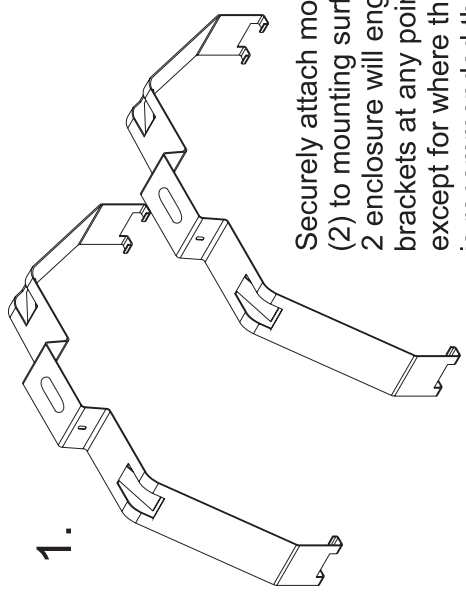


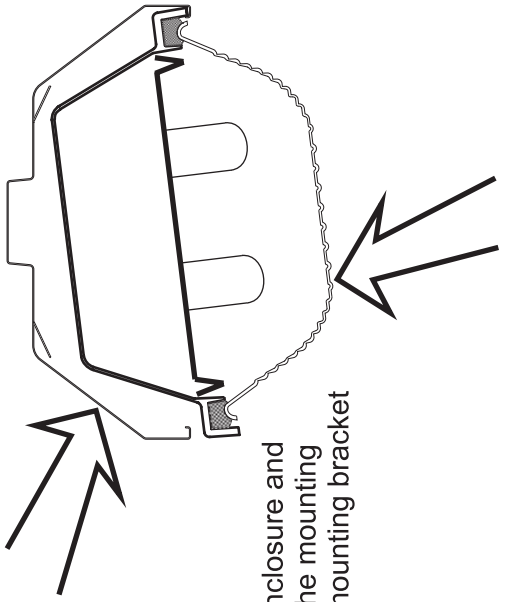
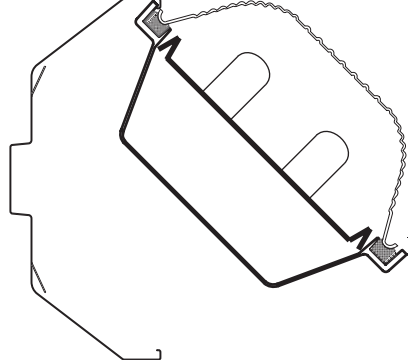
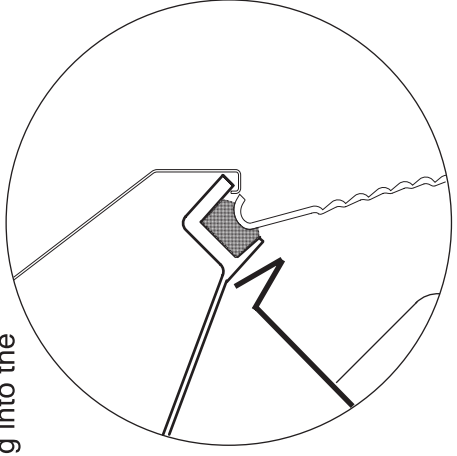
CITADEL 2 INSTALLATION



1.

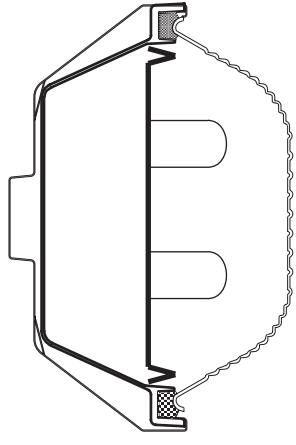
Securely attach mounting brackets (2) to mounting surface. The Citadel 2 enclosure will engage the mounting brackets at any point along it's length, except for where there are latches. It is recommended that the dimension between brackets equal about 60% of the enclosure's length.

2. Insert one side of the Citadel 2 housing into the mounting brackets.



3.

Push up on the enclosure and then press in on the mounting bracket until the mounting bracket clicks into place.



4.

Verify that the enclosure is fully supported before connecting to a power supply.

	Material.	Remark.
Name. M. Bush	CITADEL 2	
Check.	Completed Assembly Installation	
Control.		
	Scientific Lighting Products 1400 South Old Highway 141, Fenton, MO 63026 USA Tel. 636-600-4084 - Fax 636-600-4108	

V070605

All information is given to our best knowledge and without obligation. We reserve the right to make changes to materials or design.