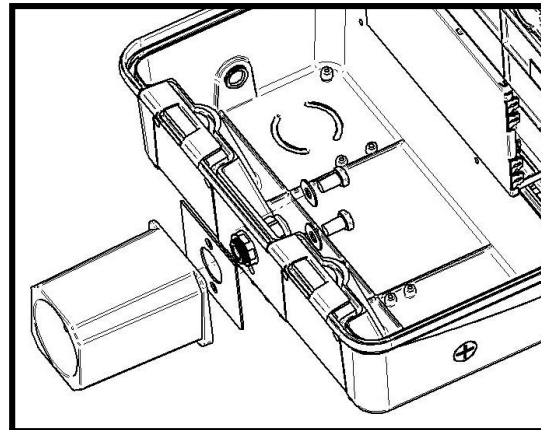
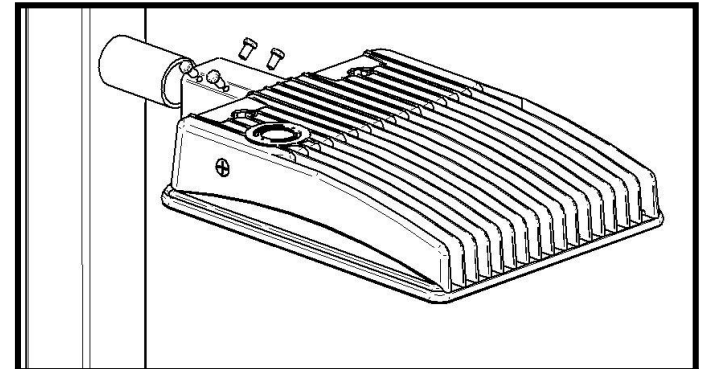


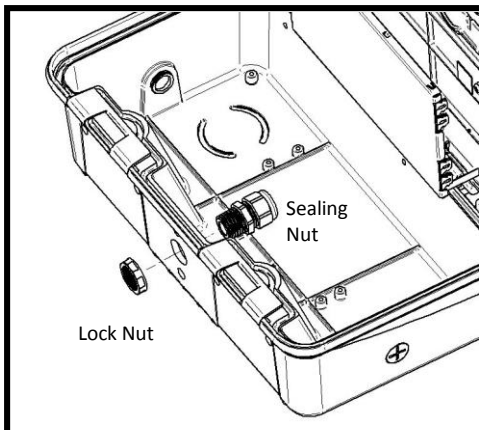
1. Reverse cord lock so that it is installed as shown, with the domed sealing nut on the inside of the fixture. Tighten lock nut to 40 in-lbs.



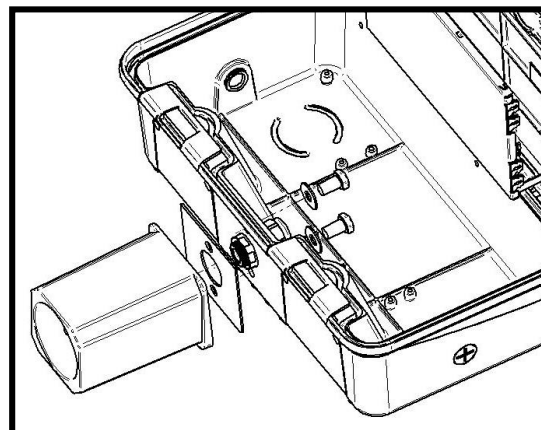
2. Install the Horizontal Tenon Mount Adaptor with the hardware provided, placing the provided gasket between the Adaptor and the fixture. Tighten both bolts to 12 ft-lbs.



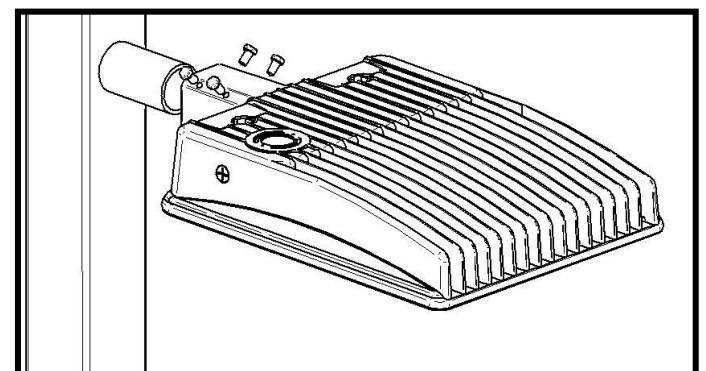
3. Feed power wires from the pole into the fixture. Loosen the four bolts on the sides of the Adaptor and slide it over the tenon. Check to ensure the fixture is level, and tighten the four bolts on the sides of the Adaptor to 15 ft-lbs. Complete all wiring inside fixture. Tighten cord lock and close the driver compartment, securing it with the latches.



1. Reverse cord lock so that it is installed as shown, with the domed sealing nut on the inside of the fixture. Tighten lock nut to 40 in-lbs.



2. Install the Horizontal Tenon Mount Adaptor with the hardware provided, placing the provided gasket between the Adaptor and the fixture. Tighten both bolts to 12 ft-lbs.



3. Feed power wires from the pole into the fixture. Loosen the four bolts on the sides of the Adaptor and slide it over the tenon. Check to ensure the fixture is level, and tighten the four bolts on the sides of the Adaptor to 15 ft-lbs. Complete all wiring inside fixture. Tighten cord lock and close the driver compartment, securing it with the latches.