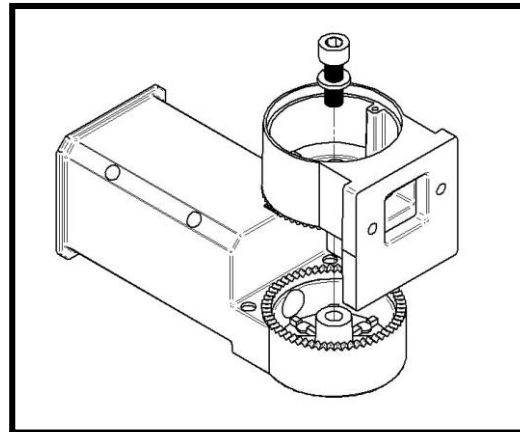
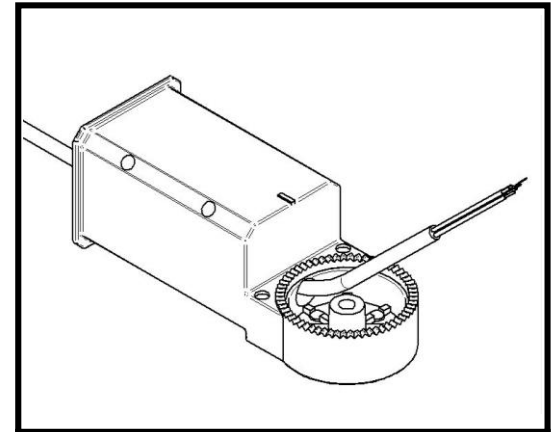


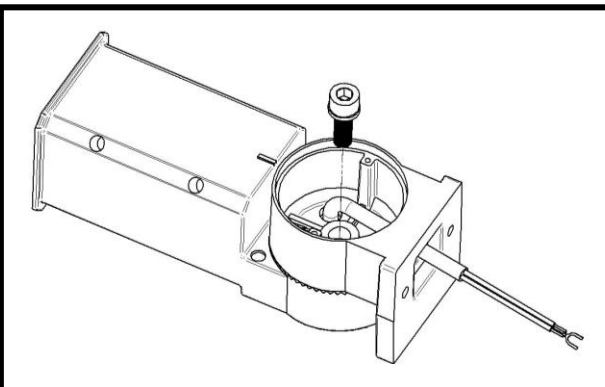
1. Remove the cover piece from the slipfitter. Collect and save all screws and gaskets to reinstall later.



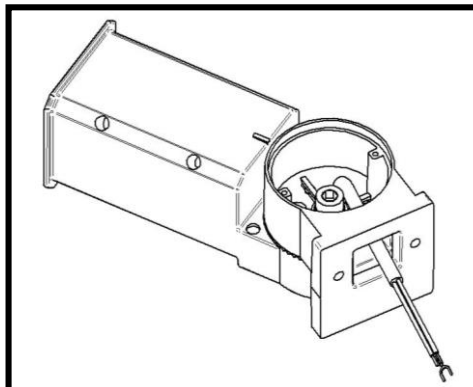
2. Remove the large bolt connecting the two halves of the slipfitter together. Collect and save all hardware and gaskets.



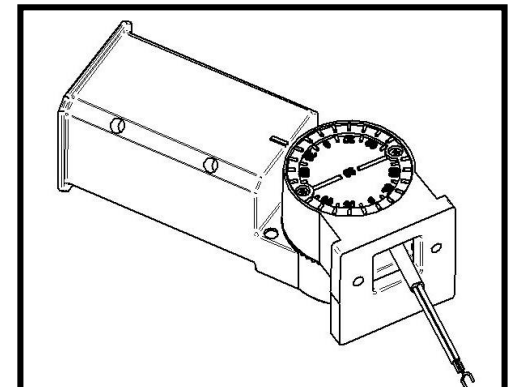
3. Feed power wires into the bottom of the slipfitter arm and through the hole that leads into joint of the arm.
Note: installation will be easiest if a short length of cord is used that can later be connected to the driver leads on one end and the leads from the pole on the other end.



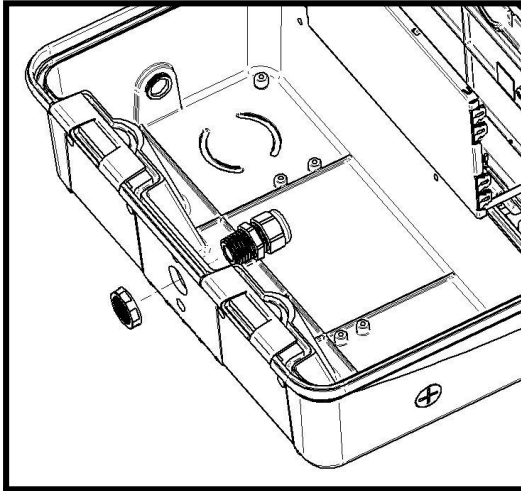
4. Feed power wires through either of the two small holes in the top half of the slipfitter, and then through the hole where the slipfitter will mount to the fixture. Reinstall the large bolt and washer to connect the two halves of the slipfitter together.



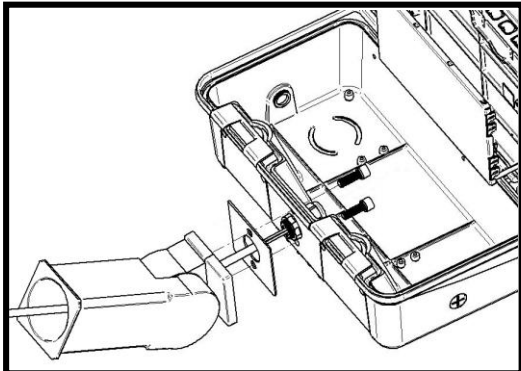
5. Set the desired angle of the slipfitter using the angle measurements on the cover for reference. Tighten the large bolt connecting the two halves of the slipfitter to 15 ft-lbs.



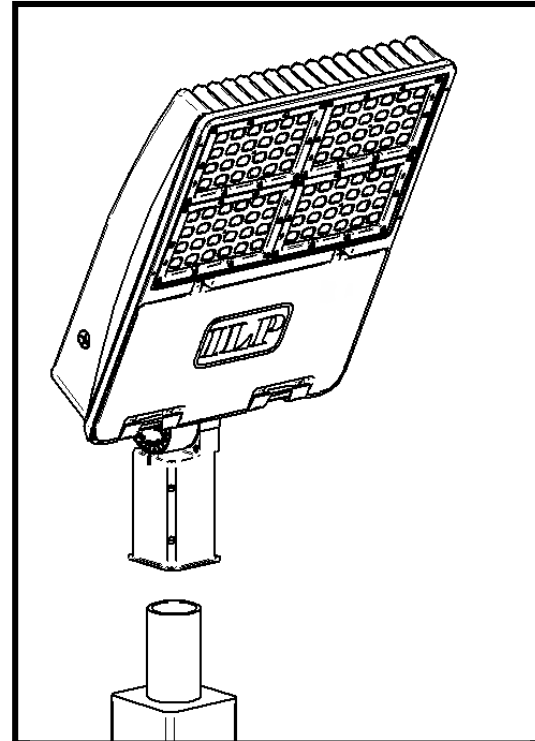
6. Reinstall cover piece using the original screws. Gasket must be reinstalled to ensure a proper seal.



7. Reverse cord lock so that it is installed as shown, with the domed sealing nut on the inside of the fixture. Tighten lock nut to 40 in-lbs.



8. Feed power wires through the provided gasket pad and into the cord lock. Secure the arm to the fixture using the bolts provided. Tighten the bolts to 12-15 ft-lbs. Complete all wiring inside the fixture.



9. Loosen the (4) screws on the sides of the slipfitter. Complete all wiring to the pole, then slide the slipfitter onto the tenon. Tighten the (4) screws to 15 ft-lbs.