



INSTALLATION INSTRUCTIONS

50W & 80W LED WALLPACKS

MODELS:

WPLP-50WLED-UNIV-XX00K or WPLP-80WLED-UNIV-XX00K

(Note: Replace XX with 40 or 50 based on CCT of LED)

Model number parameter list:

Item	Model	Input Voltage	Power Factor	Input Watts	Input Current	Weight
A	WPLP-50WLED	100-277VA	≥0.92	58	0.48A	8.8 lb
B	WPLP-80WLED			84	0.70A	9.7 lb

CAUTION: This product uses a universal voltage driver, but the actual working voltage is dependent on the input voltage of the photocell that may be installed on the product. Normally the input voltage of a photocell is 120V, 208V, 240V, or 277V. Please pay attention to this detail during installation.

1. Introduction

- This LED Wall-Pack uses the latest in solid-state lighting technology for long life, low maintenance, and high efficiency.
- This luminaire can be installed with a button or pencil type photocell threaded through a conduit entry opening.
- The solid-state driver allows operation on nominal 100V-277V, 50-60Hz AC supply without any variation in light output.
- Suitable for use in the following locations:
 - Min. Ambient Temp: -40°F (-40°C)
 - Max Ambient Temp: 113°F (+45°C) Consult Factory For Higher Ambient
 - Suitable for Wet Locations

Note: Save these instructions for future reference.

ILP – Industrial Lighting Products, LLC

519 Codisco Way, Sanford, FL 32771
Phone: (407) 478 3759 Fax: (407) 478 3760
www.ilp-inc.com

2. Installation

Warning:

To avoid the risk of fire, explosion, or electric shock, this product shall be installed, inspected, and maintained by a qualified electrician, in accordance with all applicable electrical codes.

Warning:

To avoid electric shock:

- Be certain electrical power is OFF before and during installation or maintenance.
- Luminaire must be connected to a wiring system with equipment-grounding conductor.

Warning:

To avoid explosion:

- Make sure the supply voltage is the same as the rated luminaire voltage.
- Do not install where marked operating temperatures exceed the ignition temperature of the hazardous atmosphere.
- Do not operate in ambient temperatures above those indicated on the luminaire.

Two mounting options:

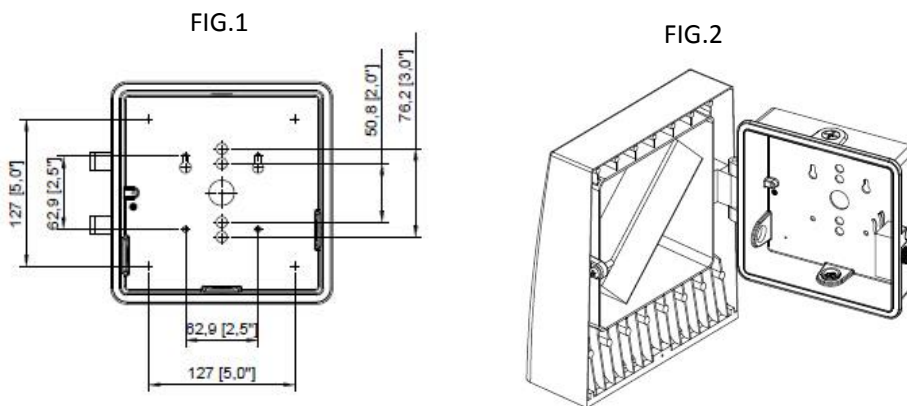
Wall Mount Luminaire

(Wall Mount is standard configuration)

Pole Mount Luminaire

(Available Mounting Arm Accessory Kit)

1. Wall Mount Installation



Step 1

Refer to (FIG.1) to determine dimensions to bore holes for Wall Mounting
Open the back box by using a Phillips screwdriver (FIG.2)

Electrical Connections

ILP – Industrial Lighting Products, LLC

519 Codisco Way, Sanford, FL 32771
Phone: (407) 478 3759 Fax: (407) 478 3760
www.ilp-inc.com

FIG.4

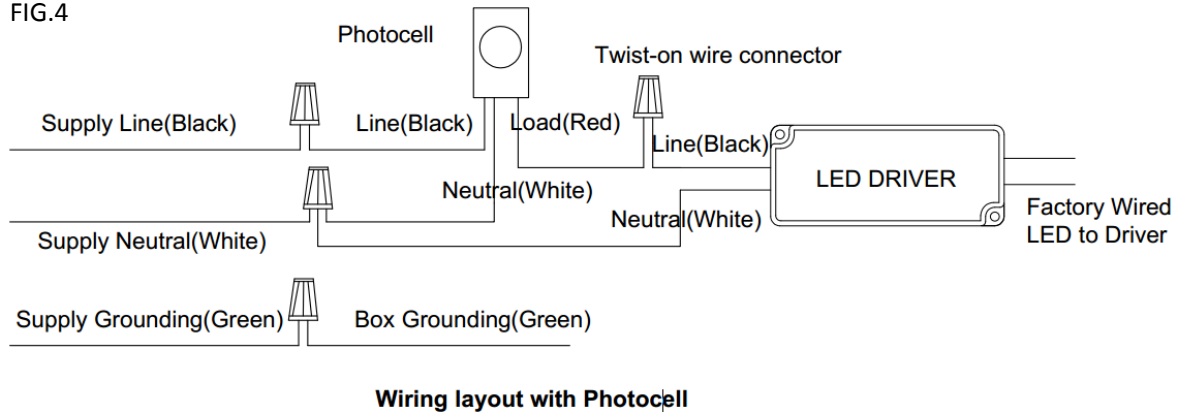
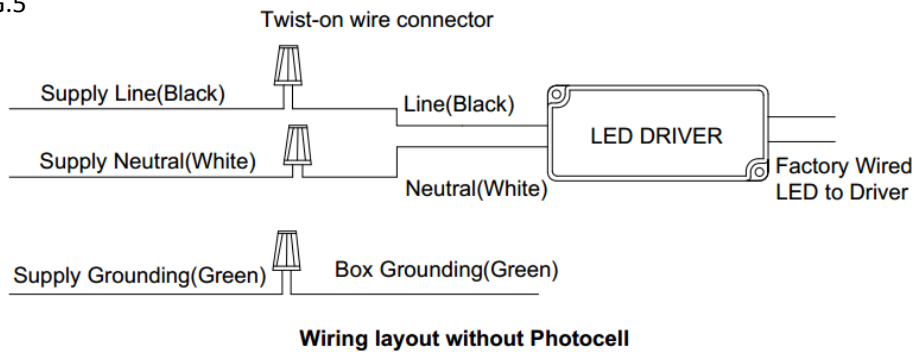


FIG.5



Step 2

Install the rear cover on the wall. The mounting surface MUST be SMOOTH and FLAT over an area large enough for the entire face of the gasket to make contact with the mounting surface. Use supply wire rated for 194°F (+90°C) to connect power to the luminaire. Refer to wiring layout (FIG.4 and FIG.5) as applicable.

Step 3

Close luminaire, tighten retaining screw to lock fixture and back box together.

Step 4

NOTE: Installer must apply silicone sealant around entire perimeter of the back box where it mates to the mounting surface. This will create a water tight seal between the mounting surface the back box.

After installation, please

- Ensure the lighting fixture is firmly fixed to the wall.
- Ensure wires are connected correctly before applying power.

To complete installation, turn power ON, check for proper operation of luminaire.

Warning: Luminaire shall be installed by a qualified electrician

ILP – Industrial Lighting Products, LLC

519 Codisco Way, Sanford, FL 32771
 Phone: (407) 478 3759 Fax: (407) 478 3760
 www.ilp-inc.com

2. Pole Mount With Arm

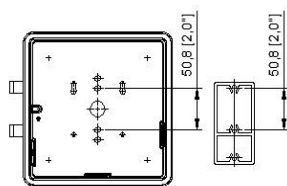


FIG.6

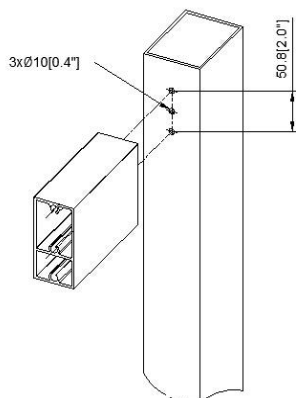


FIG.7

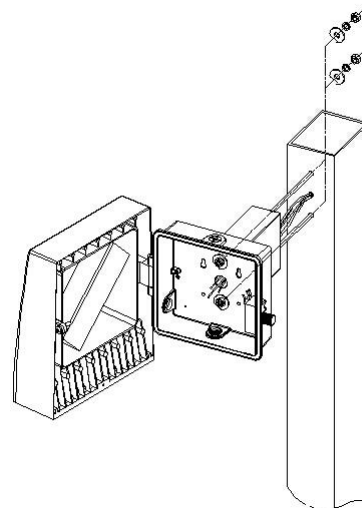


FIG.8

Step 1

Ensure holes on pole align with holes on back box of luminaire (FIG.6 and FIG.7) and bore holes on pole if necessary.

Step 2

Remove foam gasket pad from back box. Install rubber gasket included with pole mount arm on inside of back box. Protrusions on rubber gasket should align with holes in back box. Install metal plate included with pole mount arm over rubber gasket.

Step 3

Install bolts to mount rear cover per diagram (FIG.8). Refer to wiring layout (FIG.4 or FIG.5) as applicable for wiring connections.

Step 4

Tighten enclosure screws to seal fixture.