



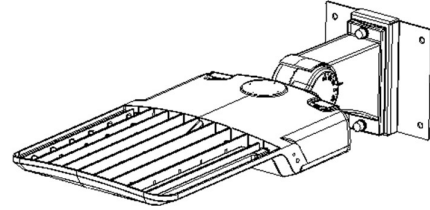
# ViewPoint Area Light Wall Mount Bracket

## Installation Instructions

**MODELS:** All VAS & VAM Fixtures

### 1. Introduction

- Tools/Materials Needed:
  - (1x) 6mm Hex Key
  - (4x) Wall Fasteners for Mounting Plate Installation



**Warning:**

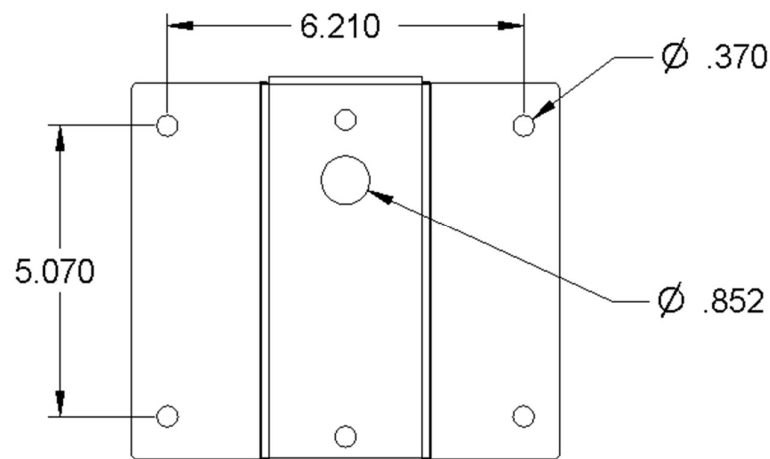
To avoid the risk of fire, explosion, or electric shock, this product shall be installed, inspected, and maintained by a qualified electrician, in accordance with all applicable electrical codes.

**Warning:**

To avoid electric shock:

- Allow product to cool before servicing.
- Be certain electrical power is OFF before and during installation or maintenance.
- Luminaire must be connected to a wiring system with equipment-grounding conductor.

### 2. Drill Pattern



#### Step 1

Align mounting plate to desired location and mark mounting locations. Prepare surface (drill, etc) for fasteners (provided by others) and wiring.

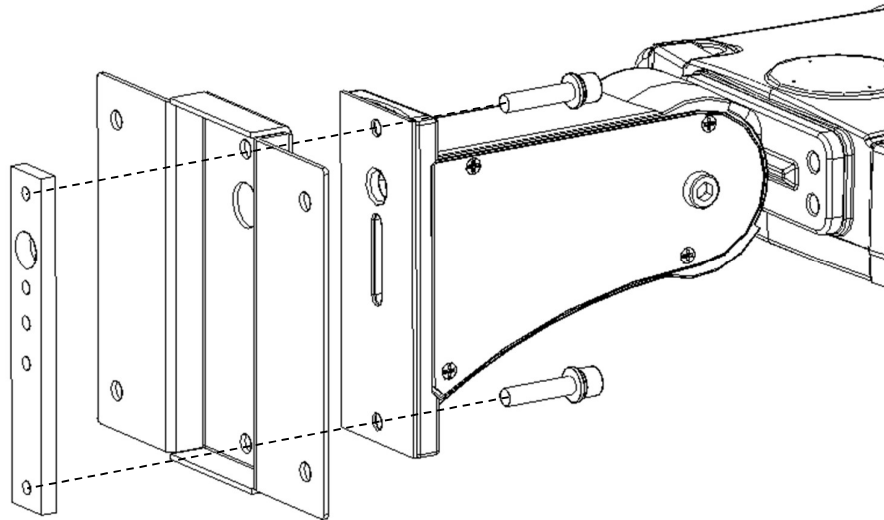
**ILP**

519 Codisco Way, Sanford, FL 32771  
Phone: (407) 478 3759 Fax: (407) 478 3760  
www.ilp-inc.com

### 3. Installation

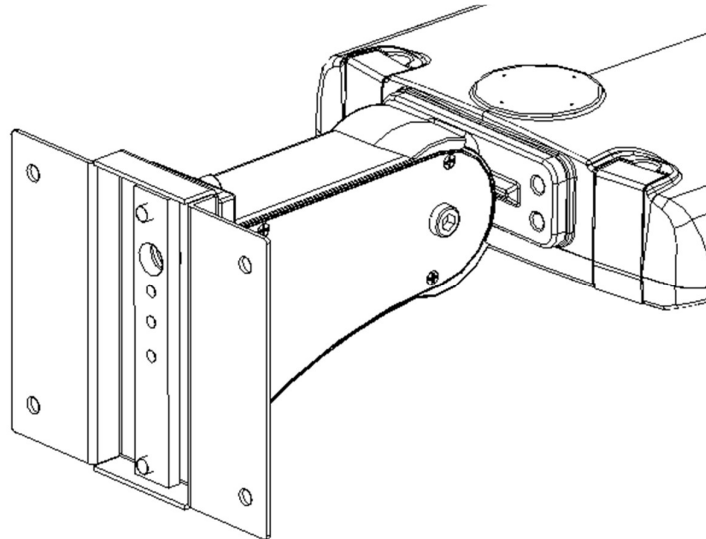
#### Step 2

Thread (2x) 30mm M8 hex socket screws through all components as shown in the graphics below.



#### Step 3

Tighten (2x) 30mm M8 hex socket screws to at least 20 Nm each.



**ILP**

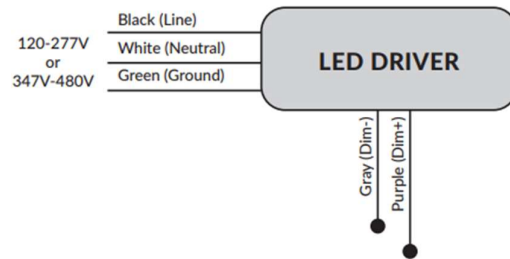
519 Codisco Way, Sanford, FL 32771  
Phone: (407) 478 3759 Fax: (407) 478 3760  
[www.ilp-inc.com](http://www.ilp-inc.com)

### Step 3 (Alternative Method)

Route wires

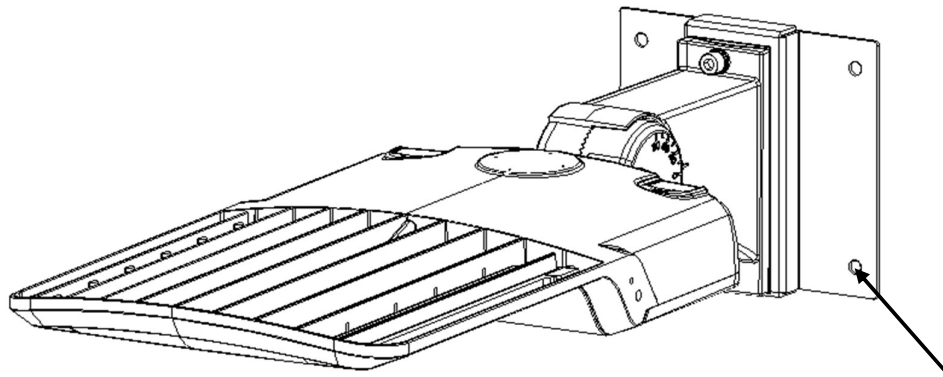
### Step 4

Route wires into the wall to make the necessary wiring connections.



### Step 5

Secure mounting plate to the wall with 4 fasteners (not provided).



Wall fastening hardware provided by others.

### After installation, please

- Ensure the mounting plate is firmly secured to the wall and the fixture is firmly secured to the mounting bracket. Turn the power on and check for proper operation of luminaire.

### ILP

519 Codisco Way, Sanford, FL 32771  
Phone: (407) 478 3759 Fax: (407) 478 3760  
www.ilp-inc.com