

Project Name:	
Catalog Number:	Fixture Type:
Volts / Watts:	Lamps / Board:



UFO PARKING GARAGE - 40W LED

OUTDOOR

FEATURES

- Die Cast Aluminum Round Parking Garage Fixture
- Frosted Polycarbonate Lens (Std.)
- 4000K & 5000K Available
- IP66 Rated
- Quick Mount Bracket Standard for Easy Surface Mount Installation
- 1/2" Coin Plugs on Sides & Top for Center Pendant Mount or Photocell Attachment
- Occupancy/Daylight Harvesting Sensor Available with Remote Control
- 0-10V Dimming Driver (Std)*
- Bronze or White Housing Color Options
- 5 Year Warranty
- DLC Premium® Qualified

**To Ensure Lead Wires Are Attached, "DIM" Call Out Is Required When Building Part Number*



LED SYSTEM

Calculated L70 (TM-21)	>100K
Delivered Lumens	4,985lm
Total Input Watts	42W
Luminaire Efficacy Rating (LER)	118lm/W
Correlated Color Temperature (CCT)	4000K
Color Rendering Index (CRI)	>80
Max Ambient Temp	120°F
Min Ambient Temp	-40°F
Universal Driver	120-277V

LED System data above based on UFO-40WLED-UNIV-40

⁽¹⁾LED Lumen Maintenance Estimates based on TM-21 projections for the light source at 25° C ambient

SUITABLE APPLICATIONS

- Parking Garages
- Canopy Walkways



Intertek

Ordering Guide

UFO	40WLED	UNIV	40	eg: BCS
-----	--------	------	----	---------

Series	LED	Driver	Color	Options
--------	-----	--------	-------	---------

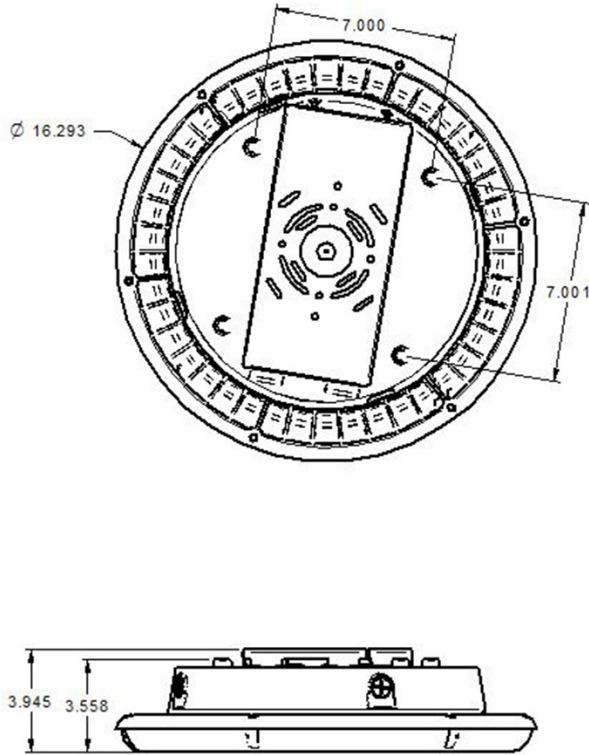
<input type="checkbox"/> UFO	<input type="checkbox"/> 40WLED	<input type="checkbox"/> UNIV 120-277V Driver	<input type="checkbox"/> 40 <input type="checkbox"/> 50	<input type="checkbox"/> WHT White Fixture Housing <input type="checkbox"/> LEDBBCT -4°F - 80°F Battery Backup <input type="checkbox"/> DIM Dimming Leads Added <input type="checkbox"/> SD480* 480V Step Down Transformer <input type="checkbox"/> SD347* 347V Step Down Transformer <input type="checkbox"/> SP1 120V Surge Protector <input type="checkbox"/> SP2 277V Surge Protector <input type="checkbox"/> BCS Bird Cone Shield - Used w/ Pendant Mount Only <input type="checkbox"/> PCxxx Photocell (xxx= voltage) <input type="checkbox"/> WLOS Wet Location Occupancy Sensor <input type="checkbox"/> BDxx Preset Bi-Level Dim Sensor (xx=% e.g. 20, 30) <input type="checkbox"/> USBD User Select Bi-Level Dim w/ Occ. Sensor (Must Use w/ FSIR/100 Remote) <input type="checkbox"/> FSIR/100 Remote Configuration Tool for WLOS, and USBD, Control Options
------------------------------	---------------------------------	-----------------------------------------------	------------------------------------------------------------	--------------------------------------------------------------------------------------------------------------------------------------------------------------------------------------------------------------------------------------------------------------------------------------------------------------------------------------------------------------------------------------------------------------------------------------------------------------------------------------------------------------------------------------------------------------------------------------------------------------------------------------------------------------------------------------------------------------------------------------------------------------------------------------------------------------------------------------------------------------------------------------------------------------

*Option Not Currently DLC Qualified

LEDBBCT & SD480 Cannot Be Installed Together

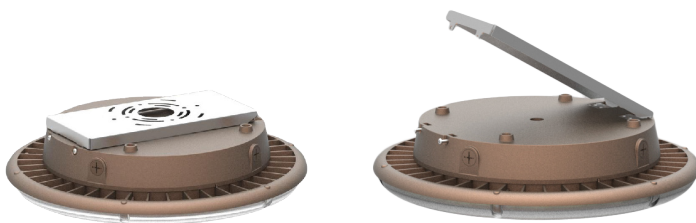
UFO PARKING GARAGE - 40W LED

OUTDOOR

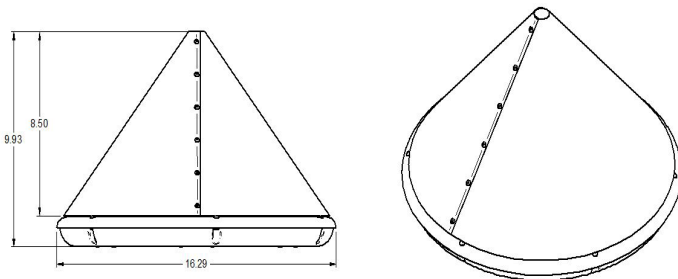


MOUNTING OPTIONS

- **Pendant** - 1/2" Threaded Pendant can be Mounted Through 1/2" Coin Plug on Top of Fixture (Supplied by Other)
- **Quick Mount Bracket** - Standard for Base of Installation When Surface Mounting to Either the Ceiling or Junction Box



Quick Mount Bracket



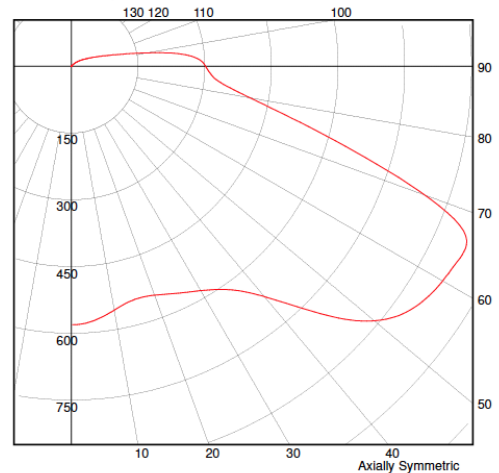
Bird Cone Shield

UFO-40WLED-UNIV-40

SUMMARY DATA

HEMISPHERES TESTED:	BOTH
EFFICIENCY (Total):	100.0%
EFFICIENCY (Downlight):	90.2%
EFFICIENCY (Uplight):	9.8%
CIE CLASSIFICATION:	DIRECT
SPACING CRITERION (0-Deg):	1.38
LUMENS/LAMP:	4,719
NO. OF LAMPS:	1
LUMINOUS OPENING: VERTICAL CYLINDER	
Diameter:	1.33 (Feet)
Height:	0.08
INPUT WATTS:	43

PLANE AND CONE DIAGRAM



Photometric values based upon tests performed in compliance with LM-79. IES files can be downloaded at www.ilp-inc.com

Industrial Lighting Products

LED
lighting facts[®]
A Program of the U.S. DOE

Light Output (Lumens)	4985
Watts	42.11
Lumens per Watt (Efficacy)	118.38

Color Accuracy	80
Color Rendering Index (CRI)	

Light Color	4000 (Bright White)
Correlated Color Temperature (CCT)	

2700K 3000K 4500K 6500K

All results are according to IESNA LM-79-2008: *Approved Method for the Electrical and Photometric Testing of Solid-State Lighting*. The U.S. Department of Energy (DOE) verifies product test data and results.

Visit www.lightingfacts.com for the Label Reference Guide.

Registration Number: -6PNWBE (6/27/2016)
Model Number: UFO-40WLED-UNIV-40
Type: Luminaire - Parking Garage