

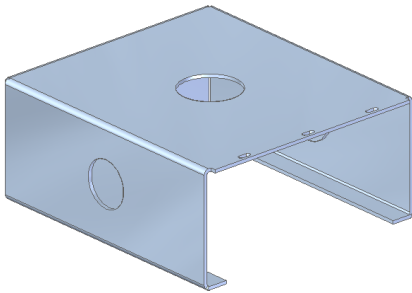


Industrial Lighting Products
519 Codisco Way
Sanford, FL 32771
Ph: (407) 478-3759
Fax: (407) 478-3760
www.ilp-inc.com

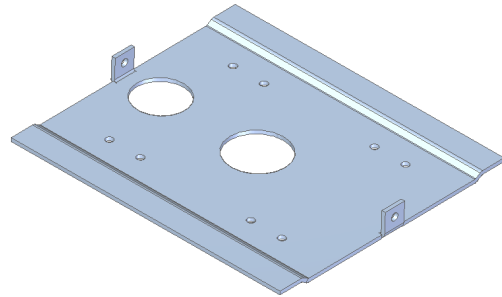
FMB Installation Instructions

WARNING: Before beginning installation, ensure that fixture is disconnected from electrical power.

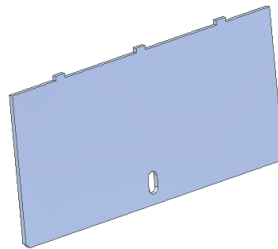
COMPONENTS REQUIRED



FMB BOX



FMB SLIDE



FMB DOOR

TOOLS REQUIRED

- 1/4" HEX SOCKET
- DRILL
- FLAT HEAD SCREWDRIVER



Industrial Lighting Products
519 Codisco Way
Sanford, FL 32771
Ph: (407) 478-3759
Fax: (407) 478-3760
www.ilp-inc.com

Step 1:

Attach FMB SLIDE to the fixture on top (if necessary)

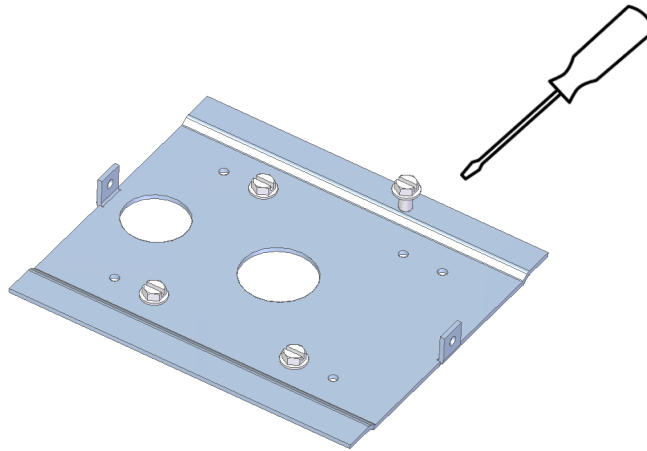


Figure 1

Step 2:

Mount FMB BOX with HUB or HOOK

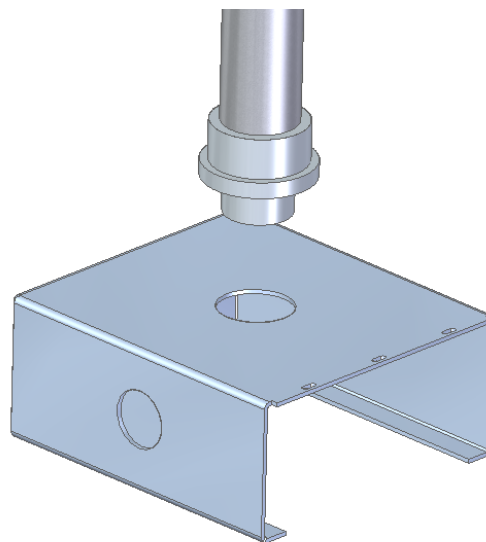


Figure 2



Industrial Lighting Products
519 Codisco Way
Sanford, FL 32771
Ph: (407) 478-3759
Fax: (407) 478-3760
www.ilp-inc.com

Step 3:

Slide the fixture thru the FMB SLIDE (See figure 3) and secure on the back with 8-32 screw include (See figure 4)

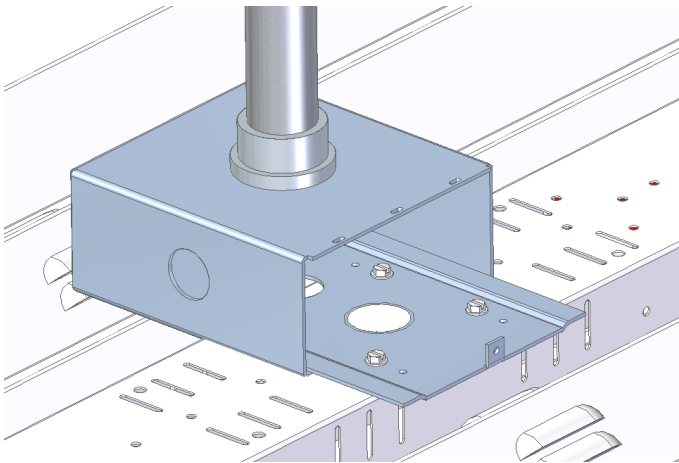


Figure 3

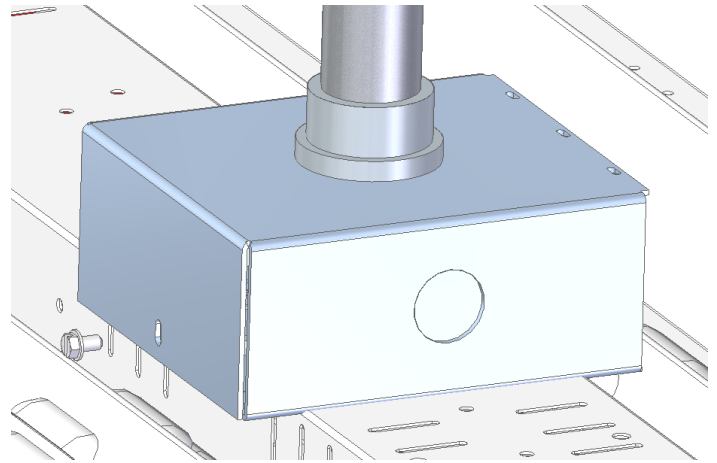
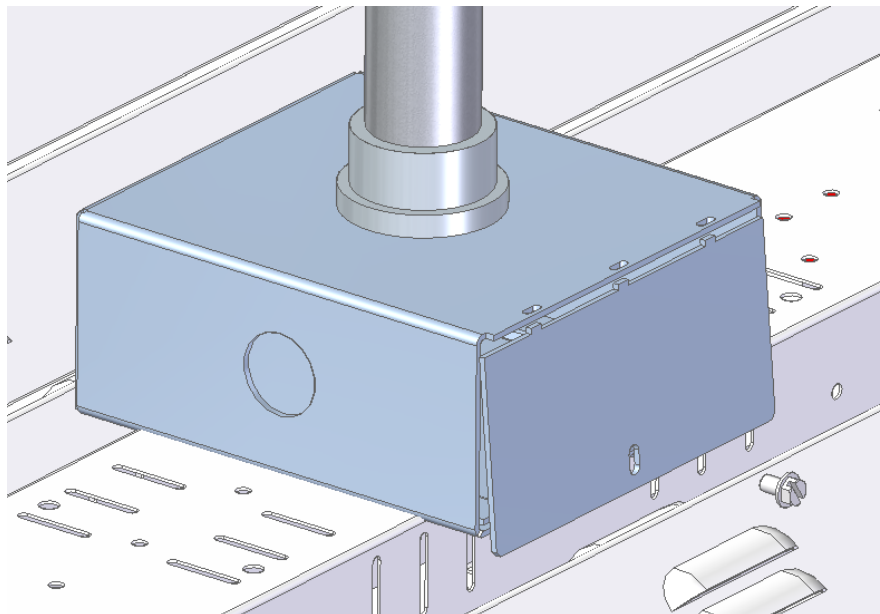


Figure 4

Step 4:

Perform the appropriate wiring and close it with FMB DOOR using (1) 8-32 screw include





Industrial Lighting Products
519 Codisco Way
Sanford, FL 32771
Ph: (407) 478-3759
Fax: (407) 478-3760
www.ilp-inc.com

Step 4:

Make sure that the FMB is fully secured

