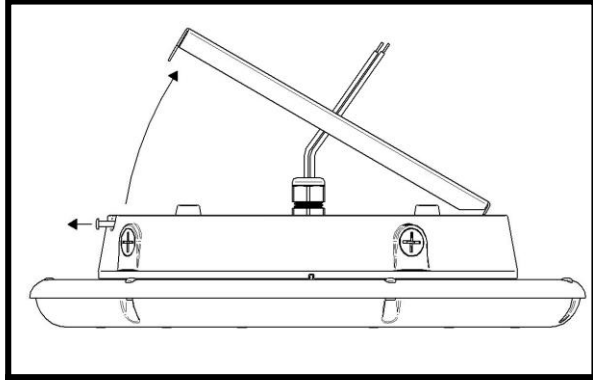


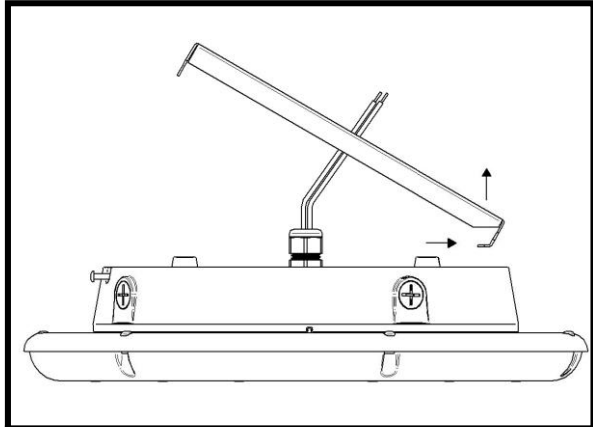
UFO Installation Instructions

WARNING: Risk of Fire and Electric Shock. This Installation MUST be performed by a qualified electrician.

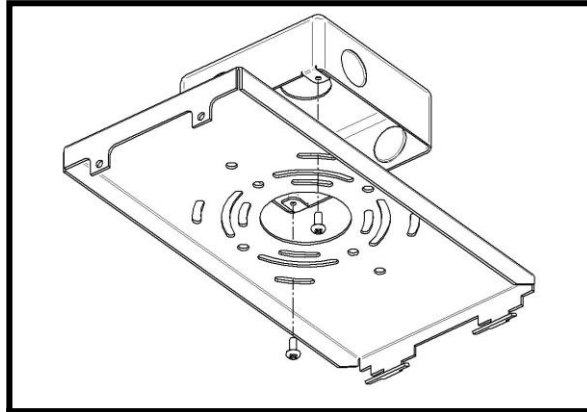
Read all instructions before beginning installation.



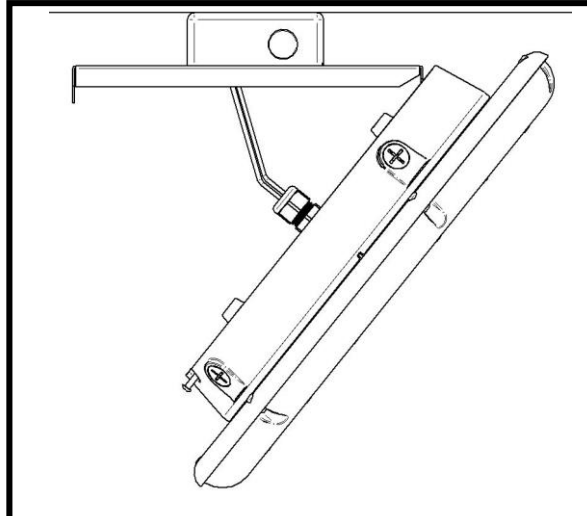
1. Loosen the two screws holding down the Quick Mount Bracket (QMB) until the QMB is able to move freely. Do not remove these screws.



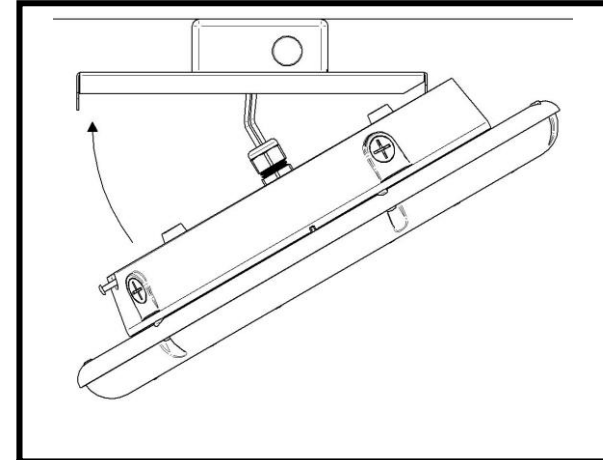
2. Remove the QMB from the fixture by sliding the QMB towards the back of the fixture and lifting up.



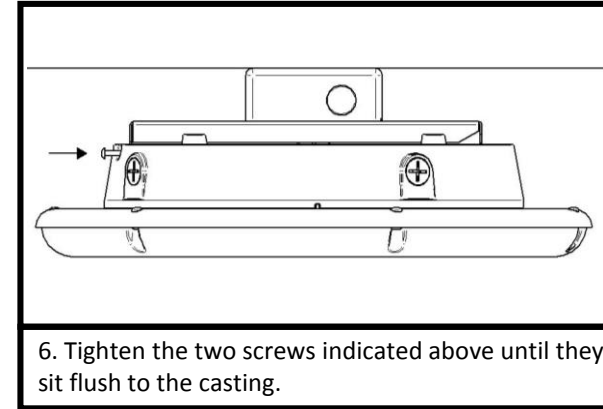
3. Mount the QMB to the junction box or ceiling using appropriate hardware (supplied by others). The QMB must be installed with a minimum of two screws, but four is recommended.



4. Hook the fixture to the QMB by sliding the fixture over the T-Flanges, reversing the motion performed in Step 2. Gently move the fixture through its full range of motion to ensure it is hanging securely.



5. Complete all wiring of the fixture. Feed all wiring connections through the center hole in the QMB into the junction box. Swing the fixture up until the holes in the QMB align with the two screws loosened in Step 1.



6. Tighten the two screws indicated above until they sit flush to the casting.