

LED MEDIUM WALL PACK



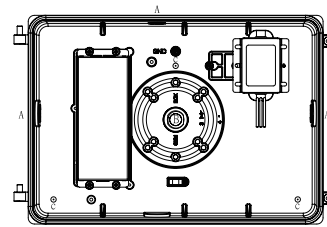
Installation Guide

⚠ WARNING

1. To avoid electric shock, disconnect power at source prior to installation
2. The installation should be performed by qualified electricians or lighting technicians.
3. Before conducting any installation, maintenance, or removal, disable all power to the luminaires and wait until fixture cools down.
4. **DO NOT** touch the fixture while it is in service.
5. If there are any problems with the fixture, **TURN OFF** the power and **DO NOT** attempt to repair unless you are a qualified technician or the customer service member.

JUNCTION BOX MOUNTING

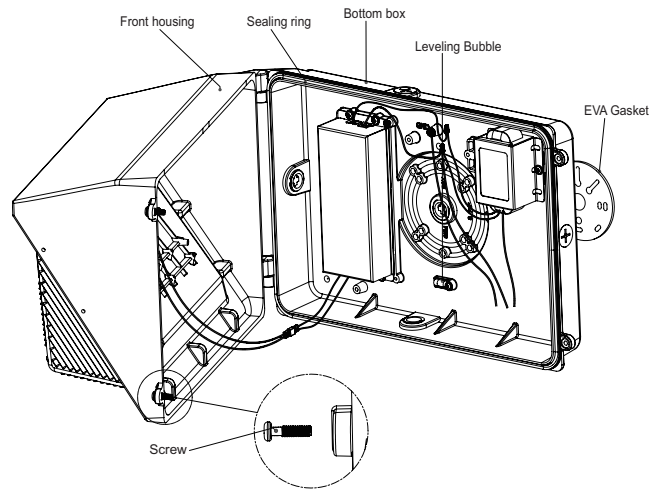
1. Loosen screws and remove the front case set carefully from the back plate. (Angle between front case and back plate varies from 0 degree to 45 degree. Push up to take down the front case.)
2. Remove 1/2" plug in center (B) for wiring, the fixture supports standard 3 1/4" and 4" Junction box.
3. Attach the back plate onto the wall, use the supplied gaskets for a weather tight seal.
4. Finish wiring: Black for Line, White for Neutral and Green for Ground.
5. Replace the lens set on the hinges, make connections and close the lens set, then tighten the screws.
6. Apply outdoor rated silicone caulking (not provided) around the J-Box/ fixture joint to prevent water ingress.



- A - 1/2" NPS tapped holes (surface conduit or photo control)
- B - 1/2" Nps Tapped Holes
- C - 5/16" dia. Screw hole

CONDUIT MOUNTING

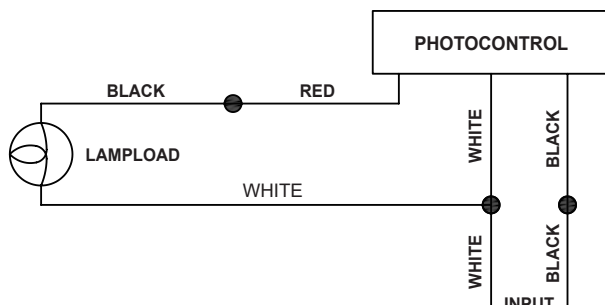
1. Loosen screws and remove the front case set carefully from the back plate. (Angle between front case and back plate varies from 0 degree to 45 degree. Push up to take down the front case.)
2. Remove 1/2" plug from where you intend to feed conduit.
3. Drill out holes (C) to secure onto wall with proper screws.
4. Finish wiring: Black for Line, White for Neutral and Green for Ground.
5. Replace the lens set on the hinges, make connections and close the lens set, then tighten the screws.
6. Apply outdoor rated silicone caulking (not provided) around the surface and fixture joint to prevent water ingress.



PHOTOCELL INSTALLATION

Universal voltage driver permits operation at 120V to 277VAC, 60 Hz except fixtures factory ordered with a 120V photocell (PC120) or 277V photocell (PC277).

1. Install photocell and wire as seen in diagram
2. Use photocell rated for your supply voltage

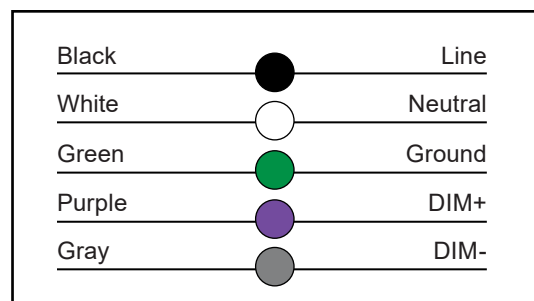


TROUBLESHOOTING

1. Make sure the line voltage for the fixture is correct. Refer to wiring directions below.
2. Check to make sure fixture is grounded properly
3. If using a photocell, check to be sure it is functioning properly

WIRING DIAGRAM

1. For 0-10V dimming version, check wiring diagram below



Note: Ground wire may have yellow stripe.