

LED SMALL WALL PACK



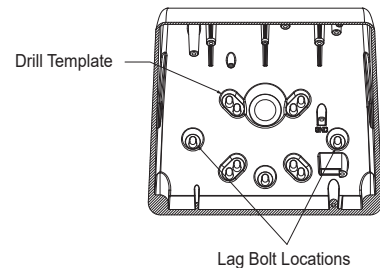
Installation Guide

⚠ WARNING

1. To avoid electric shock, disconnect power at source prior to installation
2. The installation should be performed by qualified electricians or lighting technicians.
3. Before conducting any installation, maintenance, or removal, disable all power to the luminaires and wait until fixture cools down.
4. **DO NOT** touch the fixture while it is in service.
5. If there are any problems with the fixture, **TURN OFF** the power and **DO NOT** attempt to repair unless you are a qualified technician or the customer service member.

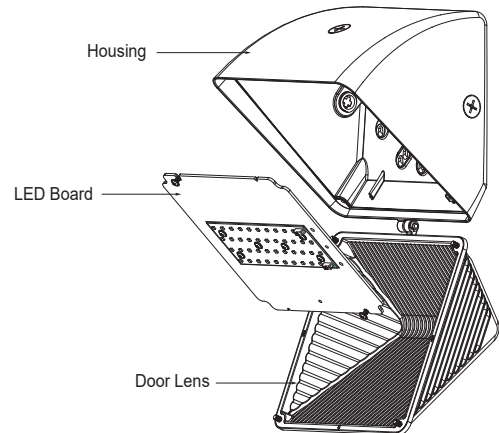
JUNCTION BOX MOUNTING

1. Unscrew the 4 screws from Door Lens
2. Unscrew the 2 screws from the LED Board, remove LED Board
3. Drill through hole "A" on housing back plate
4. Wire through 1/2" hole on back plate and attach the housing onto the Junction Box
5. Finish wiring: Black for Line, White for Neutral and Green for Ground
6. Place LED Board back into the housing
7. Replace Door Lens and tighten screws
8. Apply outdoor rated silicone caulking (not provided) around the J-Box/ fixture joint to prevent water ingress.



WALL MOUNTING

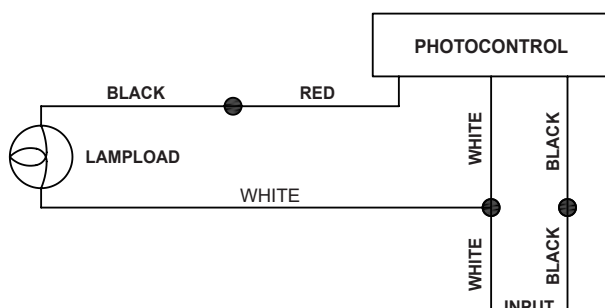
1. Unscrew the 4 screws from Door Lens
2. Unscrew the 2 screws from the LED Board, remove LED Board
3. Drill through hole "A" on housing back plate
4. Wire through 1/2" hole on back plate and secure housing onto the wall
5. Finish wiring: Black for Line, White for Neutral and Green for Ground
6. Place LED Board back into the housing
7. Replace Door Lens and tighten screws
8. Apply outdoor rated silicone caulking (not provided) around the surface and fixture joint to prevent water ingress.



PHOTOCELL INSTALLATION

Universal voltage driver permits operation at 120V to 277VAC, 60 Hz except fixtures factory ordered with a 120V photocell (PC120) or 277V photocell (P277).

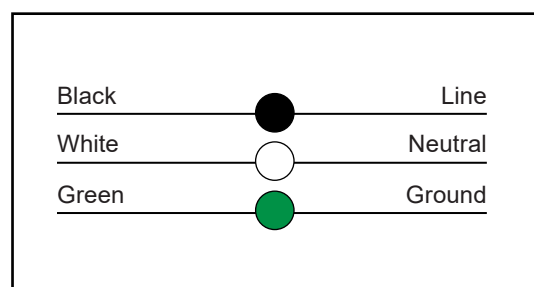
1. Install photocell and wire as seen in diagram
2. Use photocell rated for your supply voltage



TROUBLESHOOTING

1. Make sure the line voltage for the fixture is correct. Refer to wiring directions below.
2. Check to make sure fixture is grounded properly
3. If using a photocell, check to be sure it is functioning properly

WIRING DIAGRAM



Note: Ground wire may have yellow stripe.