



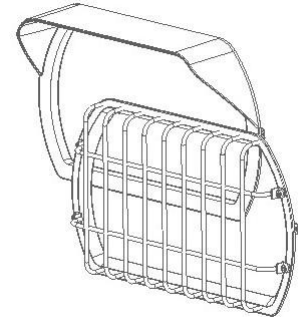
CONVERTAFLOOD HOOD/WIRE GUARD KIT

INSTALLATION INSTRUCTIONS

MODELS:

CFS-36W-U-XX
CFM-52W-U-XX or CFM-85W-U-XX
CFL-110W-U-XX or CFL-150W-U-XX

(Note: Replace XX with 40 or 50 based on CCT of LED, may be followed by BLK, BRZ, or WHT)



Part Number List:

MODEL	PART NUMBERS	
	HOOD	WIRE GUARD
CFS-36W	HD/S	WG/S
CFM-52W or CFM-85W	HD/M	WG/M
CFL-110W or CFL-150W	HD/L	WG/L

(Note: The Wire Guard Kit cannot be used in conjunction with the Hood Bezel.)

1. Introduction

- The CF Family LED Floods use easy swappable hoods & wire guards to customize to your lighting needs.

Warning:

To avoid the risk of fire, explosion, or electric shock, this product shall be installed, inspected, and maintained by a qualified electrician, in accordance with all applicable electrical codes.

Warning:

To avoid electric shock:

- Allow product to cool before servicing.
- Be certain electrical power is OFF before and during installation or maintenance.
- Luminaire must be connected to a wiring system with equipment-grounding conductor.

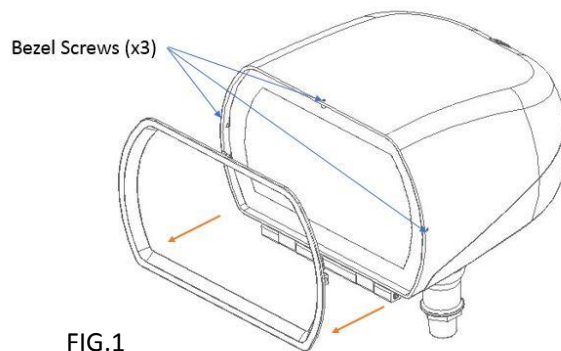
ILP – Industrial Lighting Products, LLC

519 Codisco Way, Sanford, FL 32771

Phone: (407) 478 3759 Fax: (407) 478 3760

www.ilp-inc.com

2. Installation



Step 1

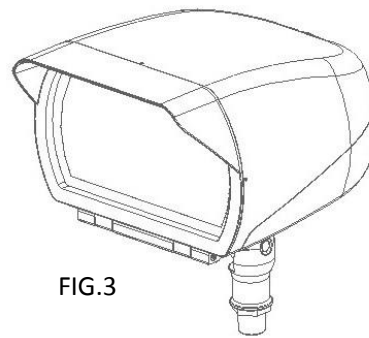
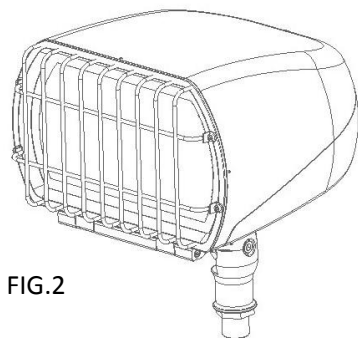
Locate the (3) Bezel Screws on the fixture cover and loosen them by using the provided tool (Allen Key 1.5mm). Do not remove Bezel Screws. (FIG.1)

Step 2

Remove the existing Bezel by slightly pulling outward. (FIG.1)

Step 3

Replace with Wire Guard Kit (FIG.2) or Hooded Bezel (FIG.3) by placing them into the existing bezel location and tightening the Bezel Screws till they are flush with the fixture cover.



After installation, please

- Ensure the lighting fixture is firmly secure to its mount.
- Ensure wires are connected correctly before applying power.

To complete installation, turn power ON, check for proper operation of luminaire.

ILP – Industrial Lighting Products, LLC

519 Codisco Way, Sanford, FL 32771

Phone: (407) 478 3759 Fax: (407) 478 3760

www.ilp-inc.com