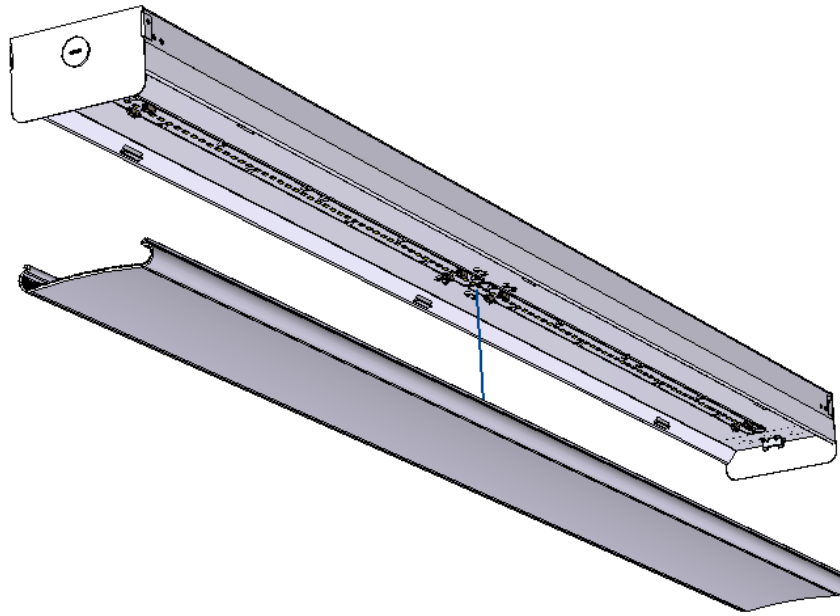
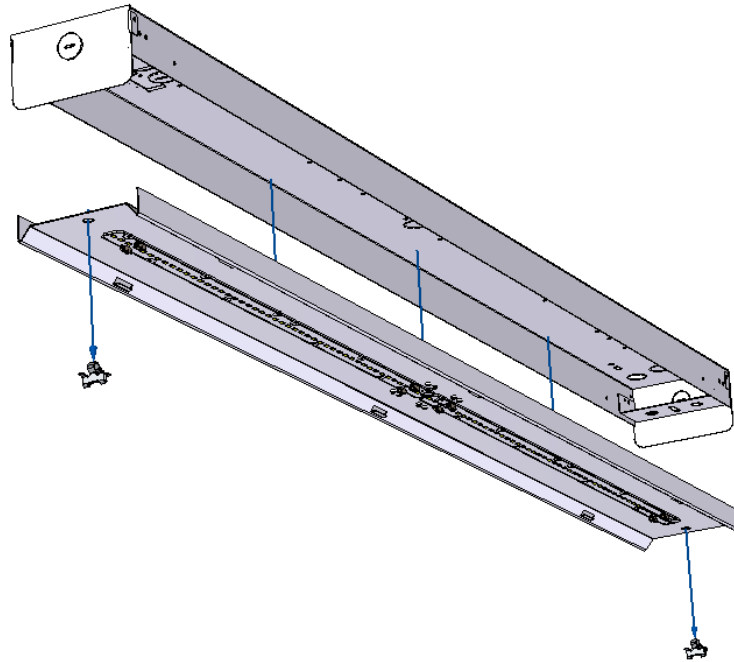


FZ Installation Instructions

- 1) Remove the lens from the fixture as shown below:



- 2) Remove the LED gear tray from the fixture using the (2) quarter-turns.



- 3) Place fixture against desired surface then drill through the back of the housing with suitable screws to attach the fixture to the ceiling. Make sure fixture is attached according to local and federal standards.