



Industrial Lighting Products
3224 McCraney Loop
Sanford, FL 32771
Ph: (407) 478-3759
Fax: (407) 478-3760
www.ilp-inc.com

GH24 Wire Cage Kit Installation Instructions

Before beginning the installation process, please verify that each kit contains the following components:

1x Pre-Assembled Lens Frame with Wire Cage
6x White Rivets

Step 1:

Prepare the lens frame for installation by setting hinges at a 90-degree angle, so they form an L.

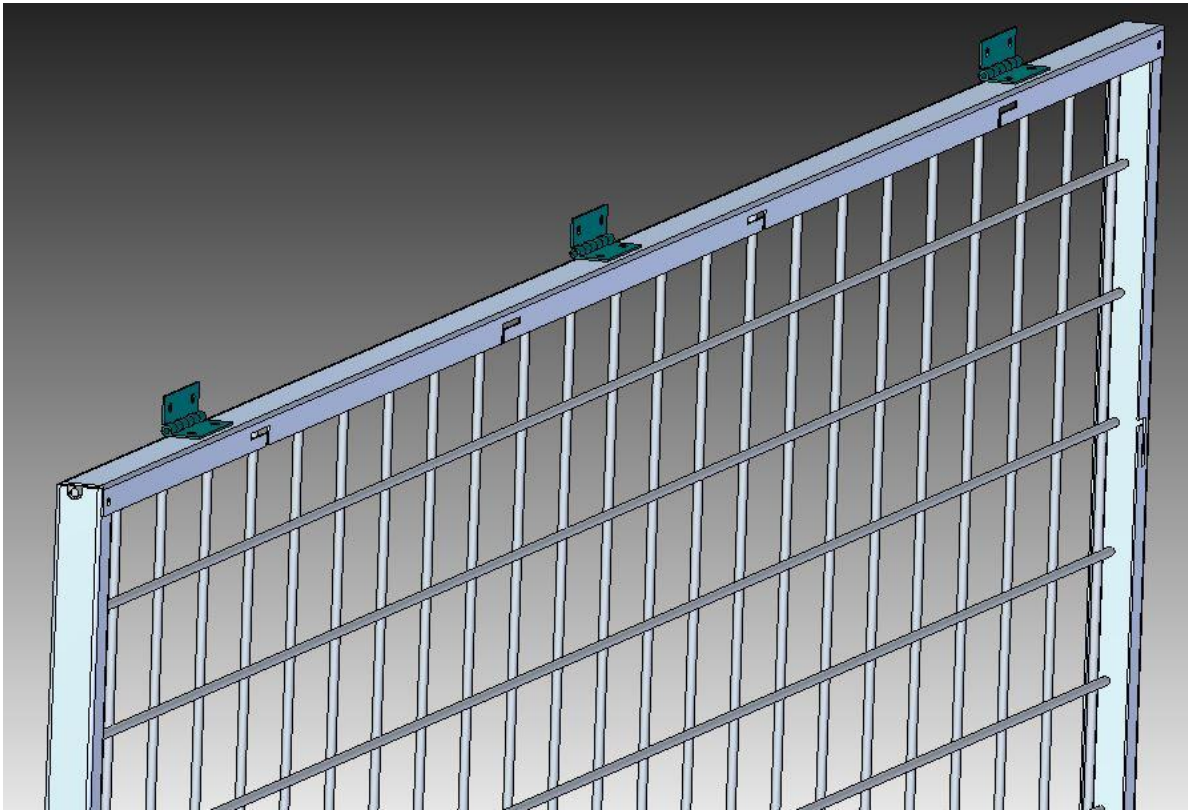


Figure 1: Set hinges at angle to improve ease of installation

Step 2:

Align the holes in the hinges with the holes on the body of the fixture.

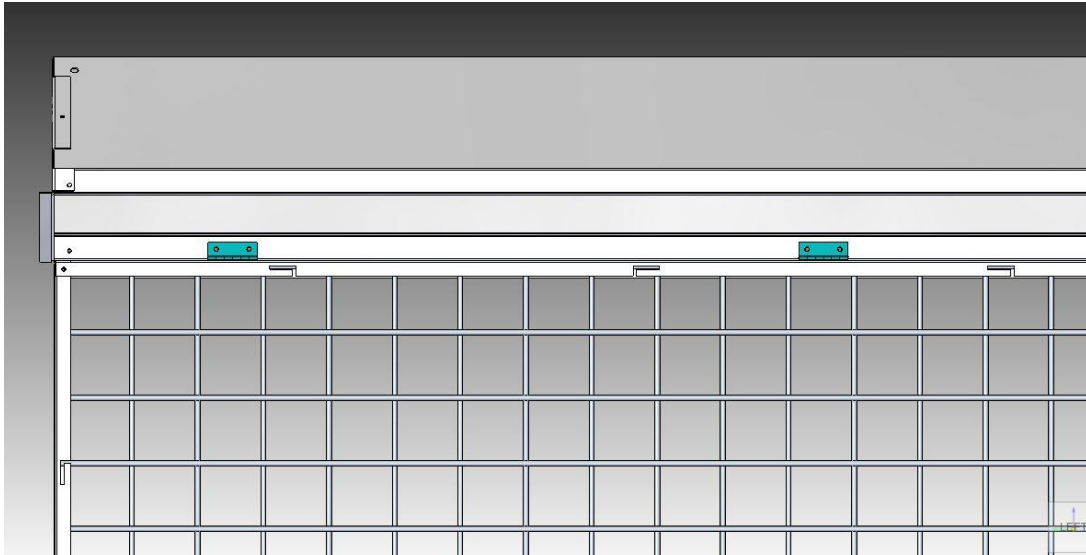


Figure 2: Align holes in hinges with holes in fixture

Step 3:

Beginning with the center hinge, rivet the hinges onto the body of the fixture. Rivets should be installed from the inside of the fixture.

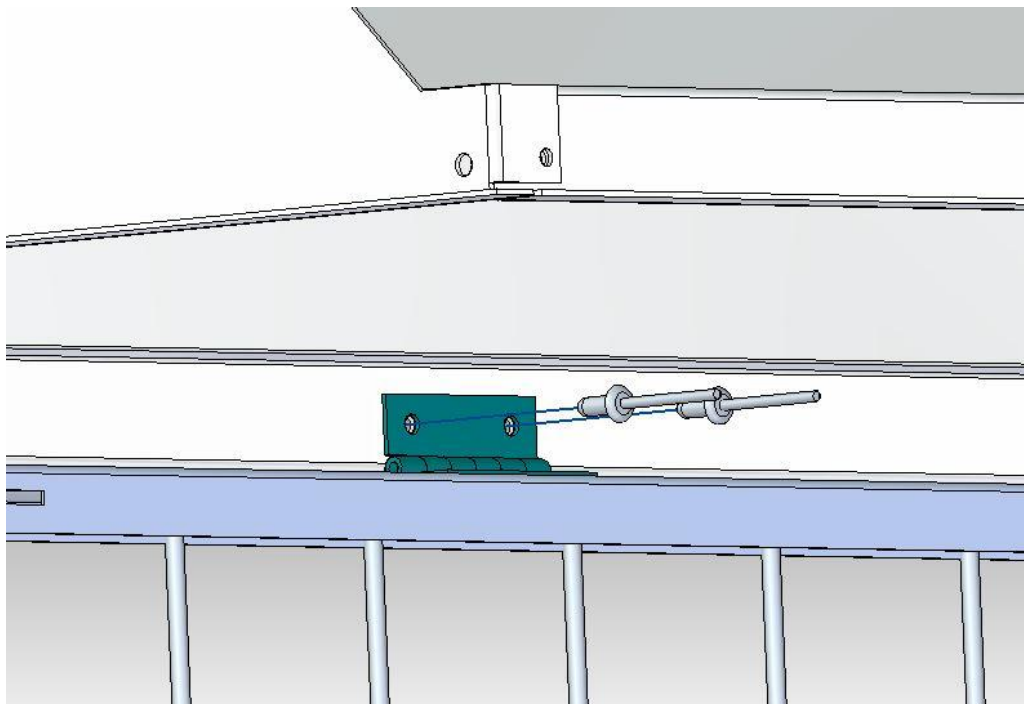


Figure 3: Install two rivets per hinge



Industrial Lighting Products
3224 McCraney Loop
Sanford, FL 32771
Ph: (407) 478-3759
Fax: (407) 478-3760
www.ilp-inc.com

Step 3:

Once all rivets have been installed, swing lens frame up into fixture.

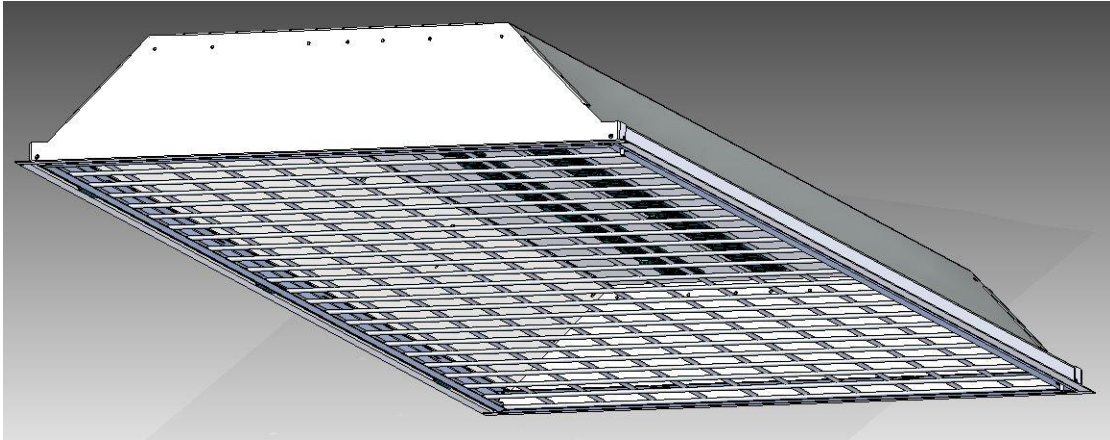


Figure 4: Swing frame up into fixture

Step 3:

Pull latches toward the center of the fixture to allow lens frame to fully close into fixture. Release latches and ensure they catch in slots on end panels.

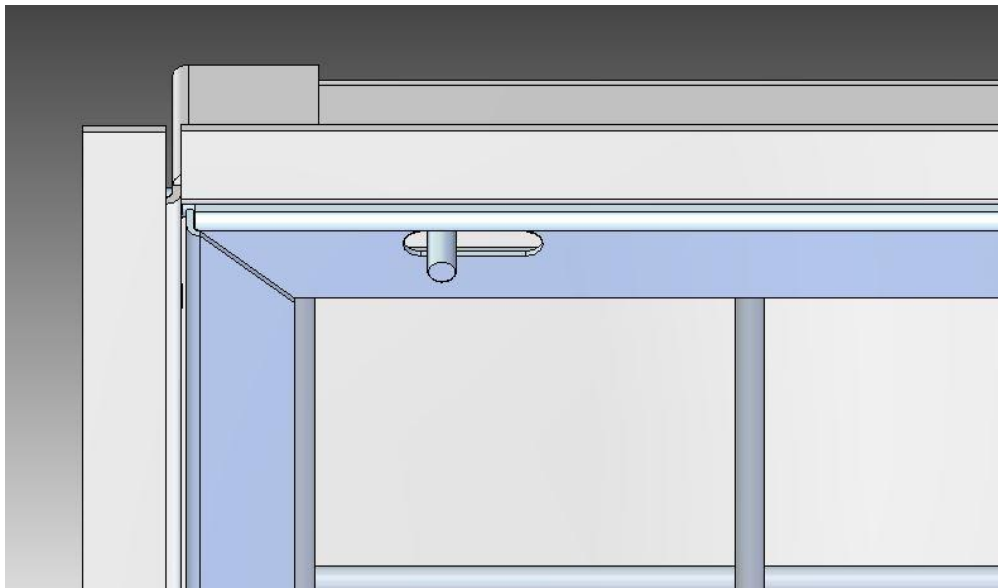


Figure 5: Activate latches to lock frame in place