

Project Name:	Part Number:	Type:
---------------	--------------	-------

# ILP POLES

## STRAIGHT ROUND STEEL POLES



407-478-3759  
www.ilp-inc.com

### FEATURES

- Straight 4", 4.5", or 5" round steel poles
- Shaft – 42,000 p.s.i minimum yield
- Two-Piece Base Covers Included
- Reinforced handholes with grounding lug and removable cover
- Top tenon or drill pattern with removable pole cap
- Four galvanized anchor bolts w/ galvanized hardware Included
- Anchor bolt templates included
- Pre-ship anchor bolts with template – Prepay Freight & Add
- Finishes: ILP Bronze (BRZ), Black (BLK), Silver (SLV), & White (WHT) & custom colors upon request.
- Pole Vibration Dampeners available upon request
- 1 Year Limited Warranty



### ORDERING GUIDE

SERIES	POLE TYPE	SIZE (in)	HEIGHT (ft)			GAUGE	DRILL PATTERN	DRILL LEGEND <sup>1,2</sup> OR TENON	OPTIONS	FINISH
ILPOLE <sup>1</sup>	SR (Straight)	4	10	20	30	11	(Blank) = AL	1	LAB	BRZ
		4.5	11	21	SKY=Skyline		2	GV	BLK	
	Round)	5	12	22			VWP=Viewpoint	2L	CPL34/xy <sup>4</sup>	SLV
		13	23					3T	NPL34/xy <sup>4</sup>	WHT
		14	24					4	FDL/xy <sup>4</sup>	CC <sup>6</sup>
		15	25					TN2	GFCI/xy <sup>4</sup>	
		16	26						EHH/xy <sup>4,5</sup>	
		17	27						VB	
		18	28							
		19	29							

<sup>1</sup>Includes base cover, anchor bolts, template, & hardware

<sup>2</sup>Refer to the fixture spec sheet for the correct drilling template pattern and orientation compatibility.

<sup>3</sup>When ordering tenon mounting and drill mounting for the same pole, follow this example: -2/TN2. Combinations require an extra handhole option.

<sup>4</sup>Specify location and orientation when ordering option. For "x": Specify the height above the base of pole in feet or feet and inches; separate feet and inches with a ".".

Example: 5ft = 5 and 20ft 3in = 20\_3 For "y": Specify orientation from handhole (A,B,C,D) Refer to the Handhole Orientation diagram below. Example: 3/4" coupling at 5' 8" orientation C = CPL34/5-8C

<sup>5</sup>Combination of tenon-top and drill mount includes extra handhole.

<sup>6</sup>Consult factory for availability of alternate finishes; subject to longer lead-times

OPTIONS LEGEND	
LAB	Less Anchor Bolts
GV	Pole Dip Galvanizing
CPL34/xy <sup>4</sup>	3/4" Coupling
NPL34/xy <sup>4</sup>	3/4" Threaded Nipple
FDL/xy <sup>4</sup>	Festoon Out Less Electrical
GFCI/xy <sup>4</sup>	Festoon Outlet w/ GFCI
EHH/xy <sup>4,5</sup>	Extra Hand Hole
VB	Vibration Dampener

COLOR LEGEND	
BRZ	Bronze
BLK	Black
SLV	Silver
WHT	White
CC	Custom Color

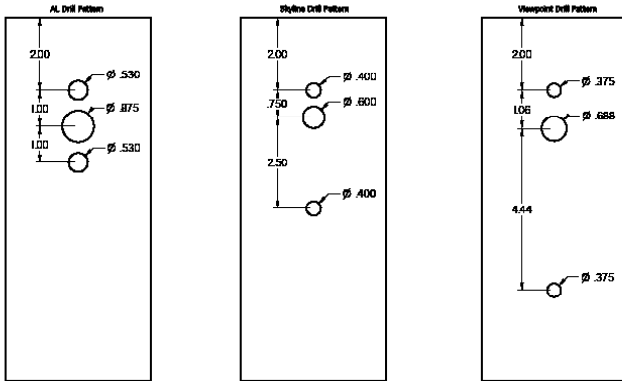
# ILP POLES

## STRAIGHT ROUND STEEL POLES

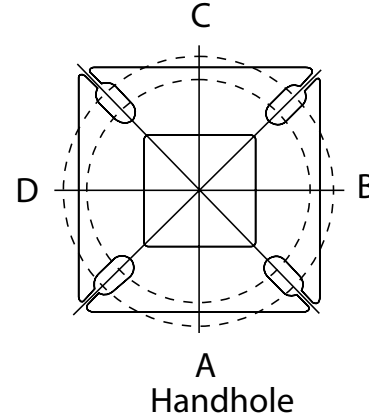
### POLE DRILLING TEMPLATES

DRILL LEGEND					
-1	Single Fixture Drill Pattern				
-2	Two Fixtures at 180° Drill Pattern			-3T	Three Fixture Drill Pattern
-2L	Two Fixtures at 90° Drill Pattern			-4	Four Fixtures Drill Pattern

### POLE DRILLING PATTERN LINE DRAWINGS



### HANDHOLE ORIENTATION



### IMPORTANT INSTALLATION NOTES:

- Do not erect poles without having fixtures installed.
- Factory-supplied templates must be used when setting anchor bolts. ILP will not accept claim for incorrect anchorage placement due to failure to use ILP templates.
- If poles are stored outside, all protective wrapping must be removed immediately upon delivery to prevent finish damage.
- ILP is not responsible for the foundation design.

### SPECIFICATIONS

#### POLE SHAFT

Square 4", 4.5", or 5" straight pole shaft of consistent wall thickness. Made from hot-rolled electro-welded ASTM-A500 Grade C steel tubing with a minimum yield of 42 KSI. The pole shaft is a continuous flat sided square tube with uniform round radii corners.

#### POLE BASE

Pole base is made from ASTM-A36 hot-rolled steel. Bases can be modified to match existing foundations; consult factory.

#### HAND HOLE

Standard Reinforced hand-hole with grounding lug is located 18" above pole base. Every handhole includes a cover and cover attachment hardware. The handhole has a nominal dimension of 3" x 6".

#### POLE TOP

A black top cap is provided for all poles that have side-mount luminaire assemblies. On Tenon Mount steel poles, tenon is 2-3/8" O.D. high-strength pipe 4" in length.

#### BASE COVER

A matching finish two-piece clamshell ABS Plastic base cover is provided with every order.

#### HARDWARE

Anchor bolts conform to ASTM F 1554-07a Grade 55 with a minimum yield strength of 55 KSI. Above grade threaded portion is hot-dipped galvanized per ASTM A-153 (approx. 12"). Anchor Bolts ship with pole unless specified, consult factory.

#### FESTOON/GFCI

Weatherproof festoon outlet without electrical or with self-testing ground fault circuit interrupter is optional.

#### POLE VIBRATION DAMPER

A pole vibration damper is recommended in open terrain areas of the country where low steady state winds are common. Non-tapered poles and lightly loaded poles are more susceptible to destructive vibration if a damper is not installed.

#### FINISH

Protected with a durable polyester powder coat finish to withstand extreme weather changes without cracking or peeling. Bronze, White, Black, and Silver finishes standard. RAL Colors, Custom finishes, Hot-dipped Galvanized, or Paint over Hot-dipped Galvanized available; consult factory.

#### WARRANTY

1 Year Warranty (Terms and Conditions apply).

See Website for more details. <https://www.ilp-inc.com/documents/>

#### CERTIFICATIONS

BAA/TAA Compliant

# ILP POLES

## STRAIGHT ROUND STEEL POLES

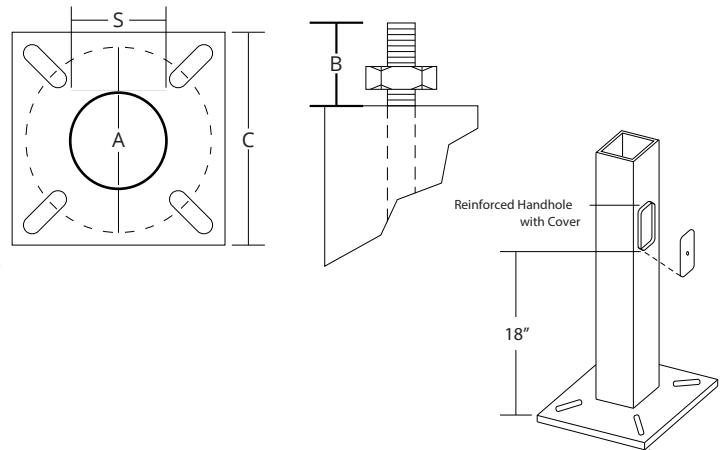
### TECHNICAL INFORMATION - EPA (ft2) with 1.3 Gust

Catalog Number	Nominal Shaft Length (ft.)*	Pole Shaft Size (Base in. x top in. x ft.)	Wall thick (in)	Gauge	EPA (ft2) with 1.3 gust						Bolt size (in. x in. x in.)	Approximate ship weight (lbs.)
					80 MPH	Max. Weight	90 MPH	Max. Weight	100 MPH	Max. Weight		
ILPOLE-SR-4.5-8-11	8	4.5 x 8.0	0.120	11ga	24.7	630	19.7	495	16.0	430	3/4 x 18 x 3	55
ILPOLE-SR-4-10-11	10	4.0 x 10.0	0.120	11ga	19.1	480	15	375	12.2	305	3/4 x 18 x 3	70
ILPOLE-SR-4.5-10-11	10	4.5 x 10.0	0.120	11ga	24.5	615	19.5	490	15.8	395	3/4 x 18 x 3	75
ILPOLE-SR-4-12-11	12	4.0 x 12.0	0.120	11ga	15.0	390	11.8	300	9.5	240	3/4 x 18 x 3	80
ILPOLE-SR-4.5-12-11	12	4.5 x 12.0	0.120	11ga	19.8	495	15.7	395	12.7	320	3/4 x 18 x 3	85
ILPOLE-SR-4-14-11	14	4.0 x 14.0	0.120	11ga	12.2	305	9.4	250	7.6	195	3/4 x 18 x 3	90
ILPOLE-SR-4.5-14-11	14	4.5 x 14.0	0.120	11ga	16.2	405	12.8	320	10.3	260	3/4 x 18 x 3	95
ILPOLE-SR-4.5-15-11	15	4.5 x 15.0	0.120	11ga	12.0	300	9.5	250	7.5	200	3/4 x 18 x 3	96
ILPOLE-SR-4-16-11	16	4.0 x 16.0	0.120	11ga	9.6	250	7.4	185	5.9	150	3/4 x 18 x 3	100
ILPOLE-SR-4.5-16-11	16	4.5 x 16.0	0.120	11ga	13.1	330	10.2	265	8.2	205	3/4 x 18 x 3	105
ILPOLE-SR-4-18-11	18	4.0 x 18.0	0.120	11ga	7.6	190	5.7	180	4.5	130	3/4 x 18 x 3	110
ILPOLE-SR-4.5-18-11	18	4.5 x 18.0	0.120	11ga	10.5	265	8.2	210	6.5	165	3/4 x 18 x 3	115
ILPOLE-SR-4-20-11	20	4.0 x 20.0	0.120	11ga	6.0	150	4.45	150	3.45	125	3/4 x 18 x 3	120
ILPOLE-SR-4.5-20-11	20	4.5 x 20.0	0.120	11ga	8.5	215	6.6	165	5.2	130	3/4 x 18 x 3	130
ILPOLE-SR-5-20-11	20	5.0 x 20.0	0.120	11ga	11.75	300	9.1	230	7.25	180	3/4 x 18 x 3	145
ILPOLE-SR-4.5-22-11	22	4.5 x 22.0	0.120	11ga	6.0	150	4.5	125	3.75	100	3/4 x 18 x 3	134
ILPOLE-SR-4-25-11	25	4.0 x 25.0	0.120	11ga	2.85	100	1.95	75	1.35	75	3/4 x 18 x 3	145
ILPOLE-SR-4.5-25-11	25	4.5 x 25.0	0.120	11ga	4.8	130	3.6	90	2.7	90	3/4 x 18 x 3	145
ILPOLE-SR-5-25-11	25	5.0 x 25.0	0.120	11ga	7.25	180	5.5	150	4.25	150	3/4 x 18 x 3	180
ILPOLE-SR-4.5-30-11	30	4.5 x 30.0	0.120	11ga	2.3	80	1.5	75	1.0	60	3/4 x 18 x 3	185
ILPOLE-SR-5-30-11	30	5.0 x 30.0	0.120	11ga	4.2	150	3	125	2.25	100	3/4 x 18 x 3	210

\* EPA values are based ASCE 7-93 wind map. For 1/2 ft increments, add -6 to the pole height. Ex: 20-6 equals 20ft 6in.

#### Determining The Luminaire/Pole Combination For Your Application:

- Select luminaire from luminaire ordering information
- Select bracket configuration if required
- Determine EPA value from luminaire/bracket EPA chart
- Select Pole height
- Select MPH to match wind speed in the application area (See windspeed maps)
- Confirm pole EPA equal to or exceeding value of luminaire/bracket EPA
- Consult factory for special wind load requirements and banner brackets



#### POLE DATA

SHAFT BASE SIZE S	BOLT CIRCLE A	BOLT PROJECTION B	BASE DIAMETER C	BASE PLATE THICKNESS T	TEMPLATE PART NUMBER
4"	7.5"-8.5"	3.5"- 3.75"	10.5"	0.75"	ILPOLE ROUND 4" MOUNTING TEMPLATE
4.5"	7.5"-8.5"	3.5"- 3.75"	10.5"	0.75"	ILPOLE ROUND 4.5" MOUNTING TEMPLATE
5"	7.5"-8.5"	3.5"- 3.75"	10.5"	0.75"	ILPOLE ROUND 5" MOUNTING TEMPLATE