



LED SLIM STRIP INSTALLATION INSTRUCTIONS

⚠ CAUTION

PLEASE READ INSTRUCTIONS BEFORE COMMENCING INSTALLATION AND RETAIN FOR FUTURE REFERENCE.

Electrical products can cause death or injury, or damage to property. If in any doubt about the installation or use of this product, consult a competent electrician.

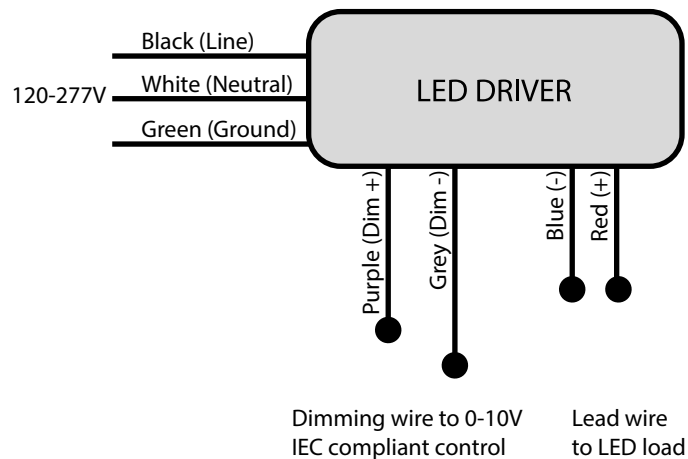
⚠ WARNING

1. To reduce the risk of death, personal injury or property damage from fire, electric shock, falling parts, cuts/abrasions, and other hazards read all warnings and instructions included with and on the fixture box and all fixture labels.
2. Before installing, servicing, or performing routine maintenance on this luminaire, follow these general precautions.
3. Installation, service and maintenance of luminaires should be performed by a qualified licensed electrician.
4. For the installation: If you are unsure about the installation or maintenance of the luminaire, consult a qualified licensed electrician and check your local electrical code.
5. To prevent wiring damage or abrasion, do not expose wiring to edges of sheet metal or other sharp objects.

⚠ WARNING

1. Turn off electrical power at fuse or circuit breaker box before wiring fixture to the power supply.
2. Turn off the power when you perform any maintenance.
3. Verify that supply voltage is correct by comparing it with the luminaire label information.
4. All wiring connections should be capped with UL approved wire connectors.
5. Suitable for Dry or Damp Locations

General Wiring Diagram



Installation Steps

SUSPENDED MOUNTING

- Attach customer supplied V-Hooks to each end of luminaire base. Attach customer supplied chain to V-Hooks (Figure 1) and mounting surface.
- Adjustable aircraft cables can be used to attach to luminaire base. Available through ILP.
- Make electrical connections.

SURFACE MOUNTING

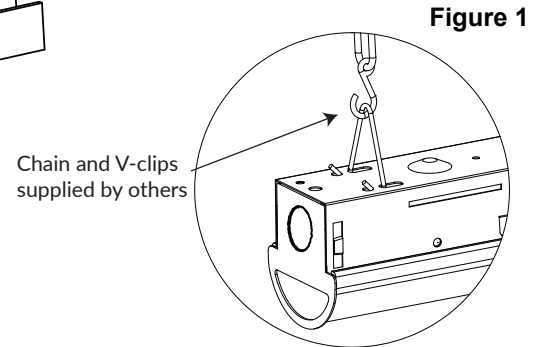
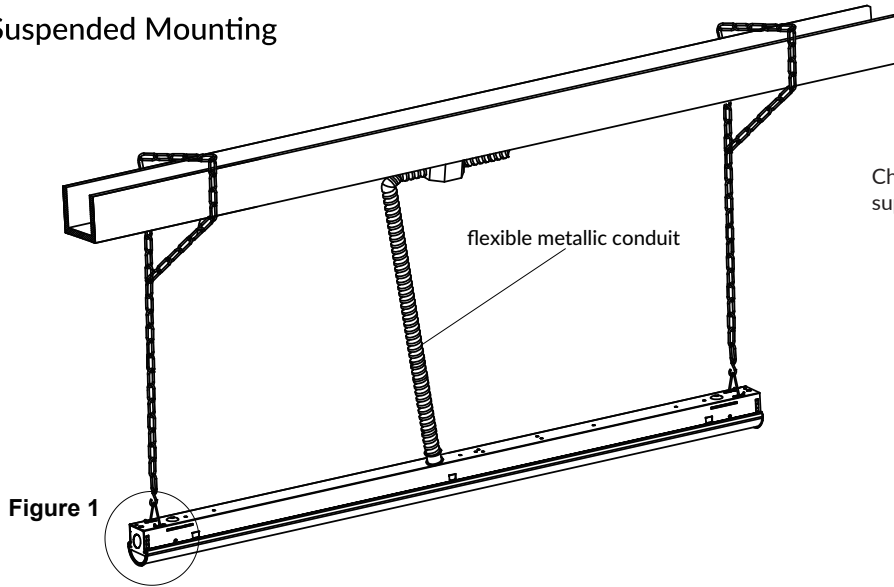
- Make electrical connection to existing junction box (Figure 2).
- Secure provided surface mounting brackets to ceiling (Figure 3) with provided mounting hardware.
- Attach brackets into slots on fixture (Figure 4).



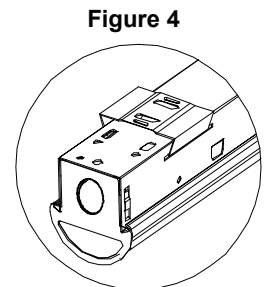
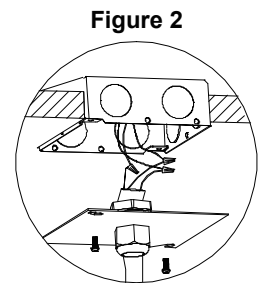
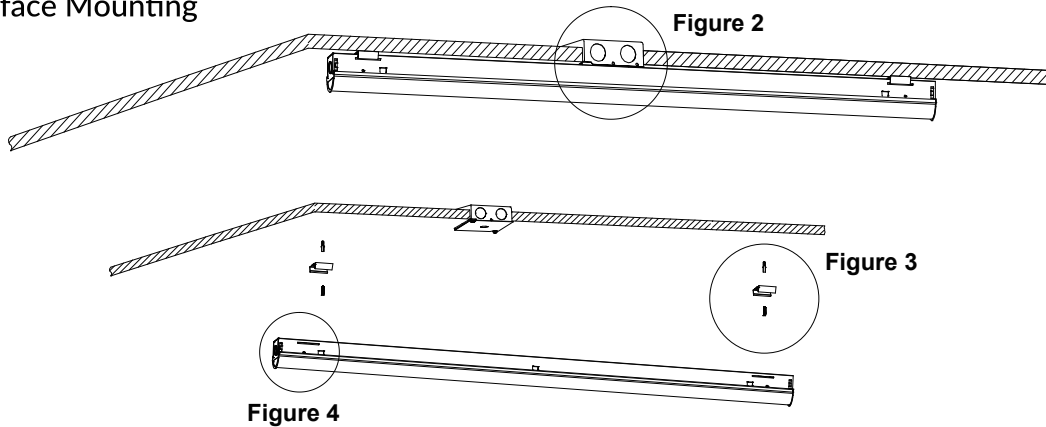
LED SLIM STRIP INSTALLATION INSTRUCTIONS

Installation

A: Suspended Mounting



B: Surface Mounting



Part Number	Power	Working Current	Input Voltage	lm/w	Dimming
SS4-26WLED-U-35-FRAL	26W	750mA	AC120-277V	130lm/w	0-10V
SS4-26WLED-U-40-FRAL	26W	750mA			
SS4-26WLED-U-50-FRAL	26W	750mA			
SS4-35WLED-U-35-FRAL	35W	750mA			
SS4-35WLED-U-40-FRAL	35W	750mA			
SS4-35WLED-U-50-FRAL	35W	750mA			
SS4-46WLED-U-35-FRAL	46W	1000mA			
SS4-46WLED-U-40-FRAL	46W	1000mA			
SS4-46WLED-U-50-FRAL	46W	1000mA			
SS8-46WLED-U-35-FRAL	46W	1400mA			
SS8-46WLED-U-40-FRAL	46W	1400mA			
SS8-46WLED-U-50-FRAL	46W	1400mA			
SS8-65WLED-U-35-FRAL	65W	1400mA			
SS8-65WLED-U-40-FRAL	65W	1400mA			
SS8-65WLED-U-50-FRAL	65W	1400mA			
SS8-90WLED-U-35-FRAL	90W	2000mA			
SS8-90WLED-U-40-FRAL	90W	2000mA			
SS8-90WLED-U-50-FRAL	90W	2000mA			