



SWP LED ADJUSTABLE SLIM WALL PACK

INSTALLATION INSTRUCTIONS

⚠ CAUTION

PLEASE READ INSTRUCTIONS BEFORE COMMENCING INSTALLATION AND RETAIN FOR FUTURE REFERENCE.
Electrical products can cause death or injury, or damage to property. If in any doubt about the installation or use of this product, consult a competent electrician.

⚠ WARNING

To avoid the risk of fire, explosion, or electric shock, this product shall be installed, inspected, and maintained by a qualified electrician, in accordance with all applicable electrical codes.

⚠ WARNING

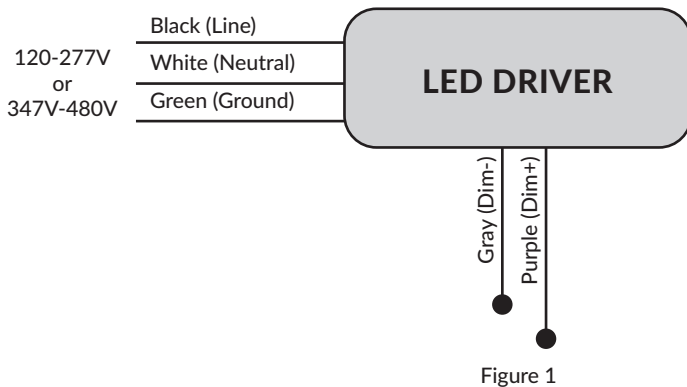
To avoid electric shock:

- Be certain electrical power is OFF before and during installation or maintenance.
- Luminaire must be connected to a wiring system with equipment-grounding conductor

To avoid explosion:

- Make sure the supply voltage is the same as the rated luminaire voltage.
- Do not install where marked operating temperatures exceed the ignition temperature of the hazardous atmosphere.
- Do not operate in ambient temperatures above those indicated on the luminaire.

General Wiring Diagram



Universal voltage driver permits operation at 120-277V / 347-480V*, 50-60Hz.
0-10V control wires must be rated for 300V minimum.
For 0-10V Dimming, follow the wiring direction as in Figure 1.

1. Connect the black fixture lead to the (+) LINE supply lead.
2. Connect the white fixture lead to the (-) COMMON supply lead.
3. Connect the GROUND wire from fixture to supply ground. Do NOT connect the GROUND of the dimming fixture to the output.
4. Connect the violet fixture lead to the (V+) Dim lead.
5. Connect the gray fixture lead to the (V-) Dim lead.

Introduction:

This LED Wall-Pack uses the latest in solid-state lighting technology for long life, low maintenance, and high efficiency.

- This luminaire can field select color temperature between either 3000K/4000K/5000K, default with 4000K.
- This luminaire can field adjust the brightness through the FAO option.
- The optical part is adjustable from 0-90° according to application needs.

This luminaire can be installed with a pencil type photocell threaded through a conduit entry opening.

The solid-state driver allows operation on nominal 120-277V / 347-480V*, 50-60Hz AC supply without any variation in light output.

Suitable for use in the following locations:

- Min. Ambient Temp: -40°F (-40°C)
- Max Ambient Temp: 104°F (40°C) Consult Factory For Higher Ambient
- Suitable for Wet Locations

Installation Instructions:

1. Read all Warnings and Installer Notes before proceeding with this installation.
2. Check to ensure all parts listed are included in your installation

* For 5L, 8L, 10L only, alternative driver to be ordered separately



SWP LED ADJUSTABLE SLIM WALL PACK

INSTALLATION INSTRUCTIONS

Installation Steps - Quick Install

TURN OFF POWER FROM MAIN CIRCUIT BREAKER

- Use a 3/32 hexagon wrench to detach the mounting plate from the fixture by unscrewing halfway the 2 side retaining screws, until the mounting plate is loose. (Figure 1)
- Use mounting screws (not provided) to fix mounting plate to the J-box (not provided). Note the screw hanging hooks should be facing out once installed. (Figure 2)
- Use a 3/32 hexagon wrench to loose the side hex screws and adjust luminaire head upward to 90 degrees. (Figure 3).
- Open the driver box by unscrewing the top part of the driver box. (Figure 4).
- Pull out the power supply wires (L black, N White), grounding wire (G Green), and dimming wires (purple and gray) (if needed), by breaking through the 5 holes wire gasket. (Figure 4)
- Select the desired CCT by using the sliding switch according to project needs. (Figure 4)
- Hang the luminaire on the mounting hooks and check the internal bubble level to verify that the fixture is plumb and level. (Figure 5)

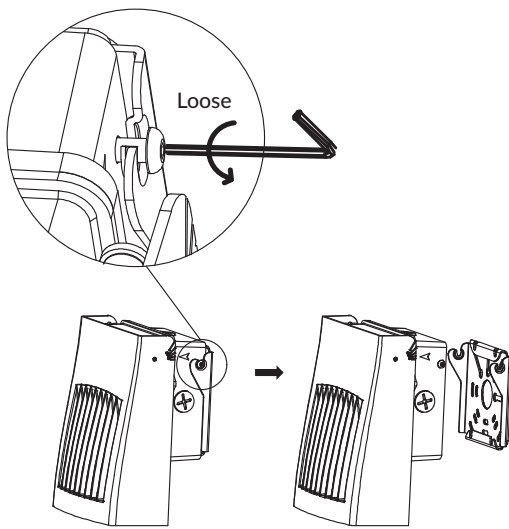


Figure 1

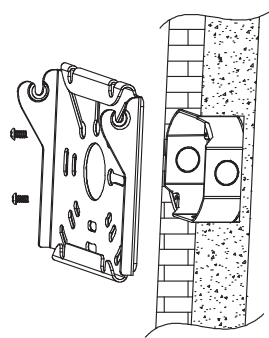


Figure 2

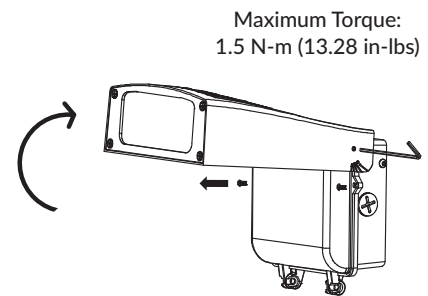


Figure 3

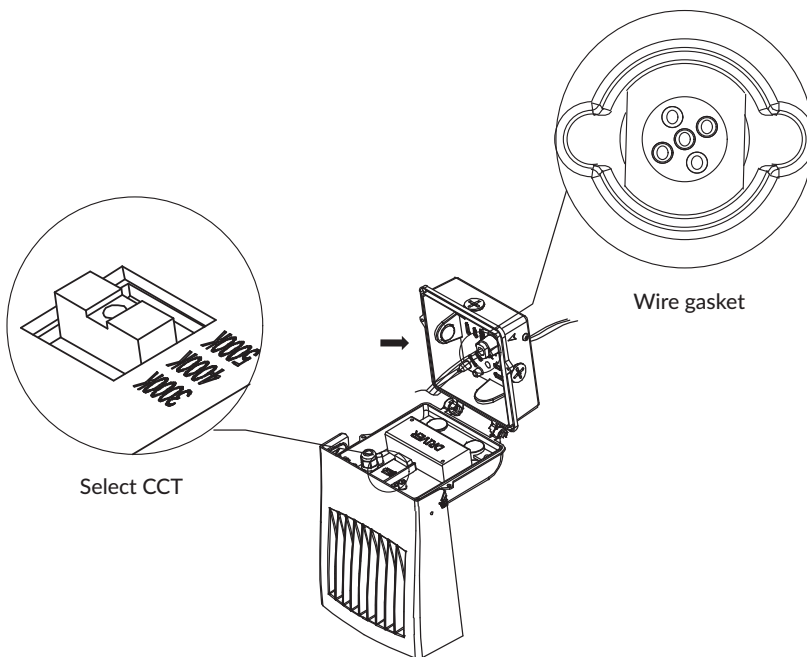


Figure 4

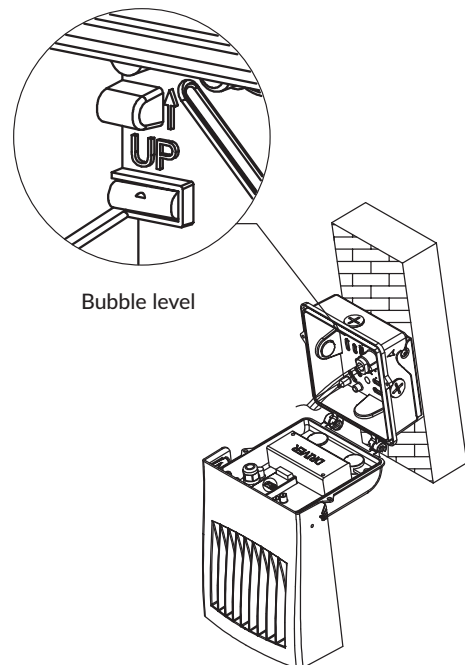


Figure 5



SWP LED ADJUSTABLE SLIM WALL PACK

INSTALLATION INSTRUCTIONS

Installation Steps - Quick Install

TURN OFF POWER FROM MAIN CIRCUIT BREAKER

- Close and secure the driver box, by screwing back the driver box screws. Adjust back the luminaire head to downward position. (Figure 6)
- Using the 2 top back hanging screws of the fixture, temporarily hang the fixture on the bottom hooks of the mounting plate to safely make appropriate electrical connections by following the wiring diagram, use electrical connectors. Carefully tuck all the wires and connectors into the J-box. (Figure 7).
- Pull up and detach the fixture. Position it to the mounting plate using all the back top, bottom and side hanging screws into the appropriate hooks of the mounting plate (top to top, bottom to bottom, side to side). Secure the fixture by tightening the two side retaining screws. (Figure 8).
- Applying silicone caulk around the perimeter of the driver box where it meets the wall to ensure a water-tight seal. Finally adjust the fixture head angle according to project needs and secure it by locking the side hex screw and installation is complete. (figure 9).

Maximum Torque:
1.5 N-m (13.28 in-lbs)

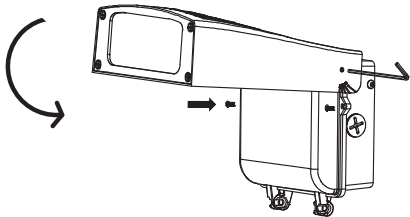


Figure 6

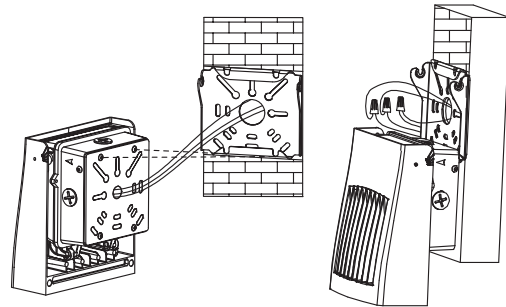


Figure 7

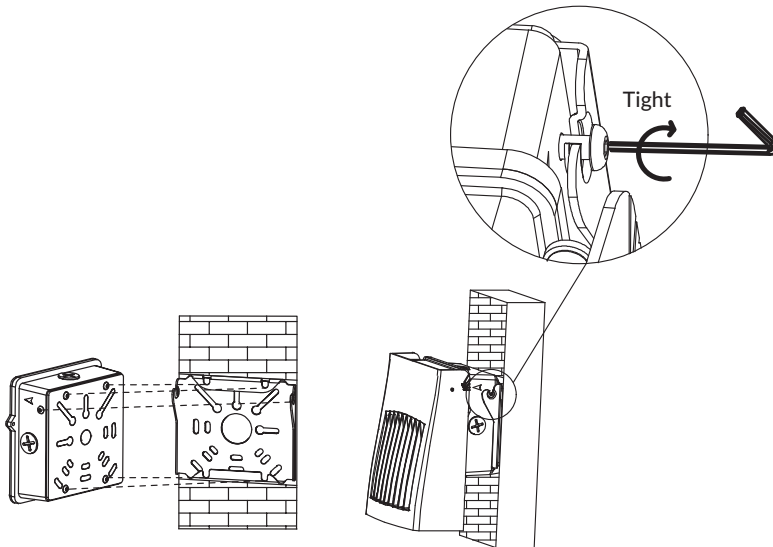


Figure 8

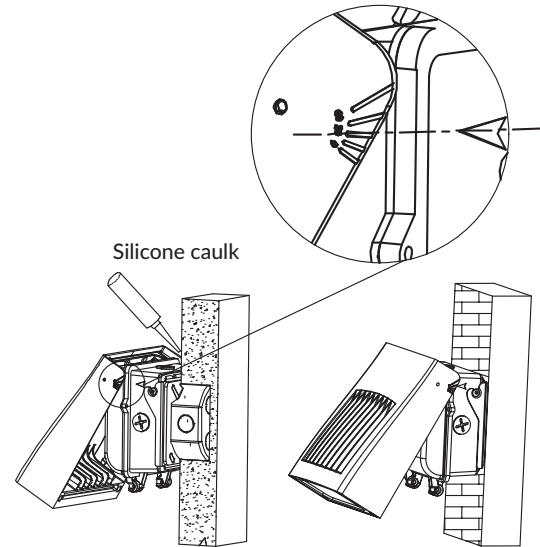


Figure 9

After Installation:

AFTER INSTALLATION IS COMPLETE, PLEASE CHECK THE FOLLOWING:

- Ensure the lighting fixture is firmly fixed to the wall.
- Ensure wires are connected correctly before applying power.
- At last, turn on the power, and check if the lighting fixture works properly. If not, turn off the power and contact your local dealer.

WARNING: The luminaire shall be installed by qualified electrician

Cleaning and Maintenance:

CAUTION: Be sure fixture temperature is cool enough to touch. Do not clean or maintain while fixture is energized.

1. Clean lens & fixture with non-abrasive cleaning solution.
2. Do not allow LED modules or other electronics to come into contact with water, solvents, or other chemicals
3. Clean the diffuser only with a mild soap and water. Do not use solvents such as alcohol or bleach.
4. Clean painted surfaces only with a mild soap, isopropyl alcohol, or acetic acid solution.