



Latch-And-Close LED Retrofit Kit – Installation Instructions

For 1x4, 2x2, or 2x4 recessed fluorescent fixtures



WARNING – RISK OF FIRE OR ELECTRIC SHOCK. LUMINAIRE WIRING AND ELECTRICAL PARTS MAY BE DAMAGED WHEN DRILLING FOR INSTALLATION OF LED RETROFIT KIT. CHECK FOR ENCLOSED WIRING AND COMPONENTS
AVERTISSEMENT - RISQUE D'INCENDIE OU DE CHOC ÉLECTRIQUE. CÂBLAGE DU LUMINAIRE ET PIÈCES ÉLECTRIQUES PEUVENT ÊTRE ENDOMMAGÉS LORS DU PERÇAGE POUR L'INSTALLATION DU KIT DE CONVERSION À DEL. VÉRIFIER LE CÂBLAGE ET LES COMPOSANTS CLOS



WARNING – RISK OF FIRE OR ELECTRIC SHOCK. LED RETROFIT KIT INSTALLATION REQUIRES KNOWLEDGE OF LUMINAIRES ELECTRICAL SYSTEMS. IF NOT QUALIFIED, DO NOT ATTEMPT INSTALLATION. CONTACT A QUALIFIED ELECTRICIAN.
ATTENTION - RISQUE DE FEU OU DE CHOC ÉLECTRIQUE. L'INSTALLATION DU KIT DE RÉNOVATION LED NÉCESSITE DES CONNAISSANCES SUR LES SYSTÈMES ÉLECTRIQUES DES LUMINAIRES. SI VOUS N'ÊTES PAS QUALIFIÉS, N'ESSEYEZ PAS DE L'INSTALLER. CONTACTER UN ÉLECTRICIEN QUALIFIÉ.



WARNING – RISK OF FIRE OR ELECTRIC SHOCK. INSTALL THIS KIT ONLY IN LUMINAIRES THAT HAVE THE CONSTRUCTION FEATURES AND DIMENSIONS SHOWN IN THE PHOTOGRAPHS AND/OR DRAWINGS AND WHERE THE INPUT RATING OF THE RETROFIT KIT DOES NOT EXCEED THE INPUT RATING OF THE LUMINAIRE.
ATTENTION - RISQUE DE FEU OU DE CHOC ÉLECTRIQUE. INSTALLER CE KIT UNIQUEMENT DANS LES LUMINAIRES DONT LES CARACTÉRISTIQUES ET LES DIMENSIONS CORRESPONDENT À CELLES INDIQUÉES DANS LES PHOTOS ET SCHÉMAS



WARNING – TO PREVENT WIRING DAMAGE OR ABRASION, DO NOT EXPOSE WIRING TO EDGES OF SHEET METAL OR OTHER SHARP OBJECTS.
ATTENTION - AFIN D'ÉVITER TOUTE ABRASION OU DOMMAGE DU CÂBLAGE ÉLECTRIQUE, NE PAS L'EXPOSER AUX ARRÊTES DES FEUILLES MÉTALLIQUES OU TOUT AUTRE OBJET TRANCHANT



THE RETROFIT KIT IS ACCEPTED AS A COMPONENT OF A LUMINAIRE WHERE THE SUITABILITY OF THE COMBINATION SHALL BE DETERMINED BY CSA OR AUTHORITIES HAVING JURISDICTION

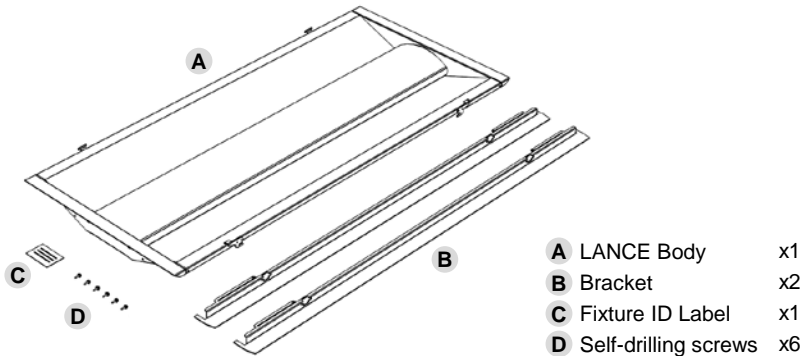


THIS RETROFIT KIT IS SUITABLE FOR IC, ENCLOSED RECESSED LUMINAIRES IN DRY OR DAMP LOCATIONS ONLY



ONLY THOSE HOLES INDICATED IN THE PHOTOGRAPHS AND/OR DRAWINGS MAY BE ALTERED AS A RESULT OF KIT INSTALLATION. DO NOT LEAVE ANY OTHER OPEN HOLES IN AN ENCLOSURE OF WIRING OR ELECTRICAL COMPONENTS.

Parts included in this kit:



Tools required:



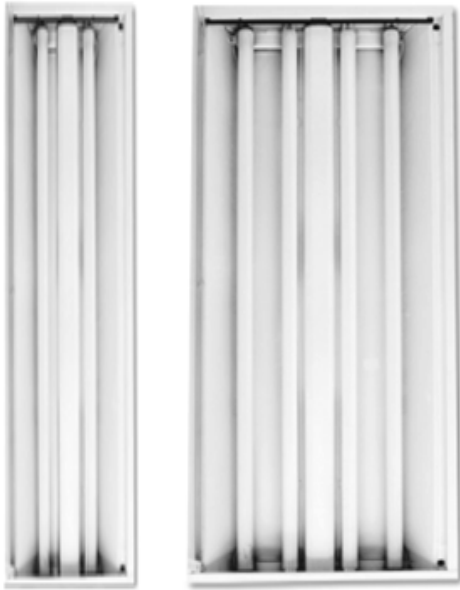
Wire cutter



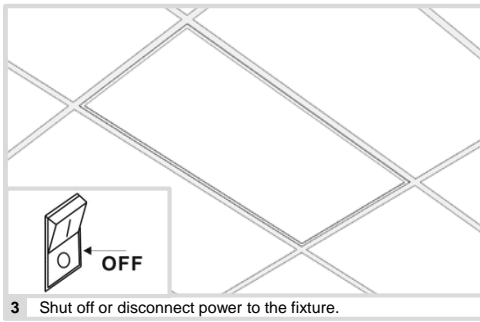
Cordless Drill with ¼" Hex Socket

Installer Notes:

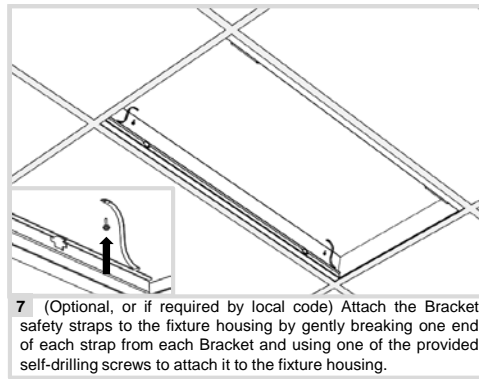
- 1) A label with the model, serial number, and date of manufacture is included with the kit and must be adhered within the original luminaire during installation. This label must be applied in compliance with UL standards.
- 2) Examine all parts that are not intended to be replaced by the retrofit kit for damage and replace any damaged parts prior to installation of the retrofit kit.
- 3) This retrofit kit utilizes the original fixture housing to secure components in place. Ensure that retrofit kit Brackets are firmly held within the fixture before hanging the LANCE Body.
- 4) This retrofit kit includes means to permanently attach it to the original fixture housing, which are optional except in certain locations. Check local codes and regulations to determine if these are required in your area.
- 5) It is recommended that a single test unit is installed before full renovation to ensure fixture compatibility.



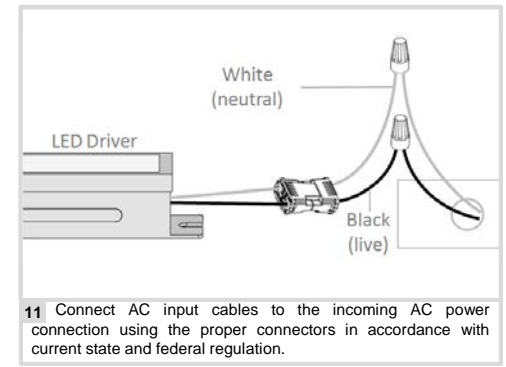
Install this retrofit kit only in indoor fluorescent fixtures with a minimum depth of 3" and features similar to those pictured here.



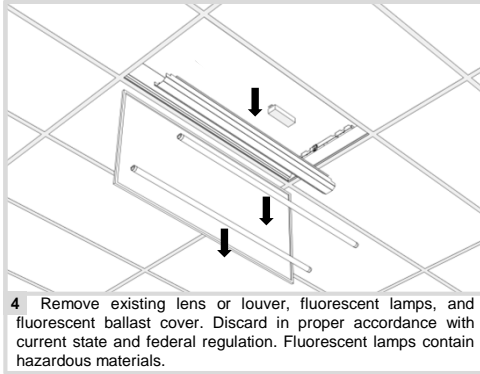
3 Shut off or disconnect power to the fixture.



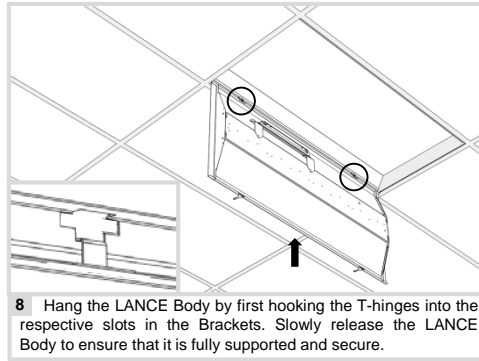
7 (Optional, or if required by local code) Attach the Bracket safety straps to the fixture housing by gently breaking one end of each strap from each Bracket and using one of the provided self-drilling screws to attach it to the fixture housing.



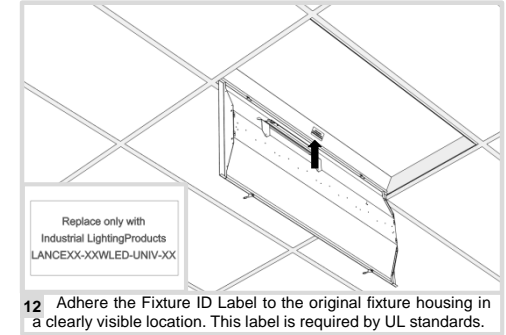
11 Connect AC input cables to the incoming AC power connection using the proper connectors in accordance with current state and federal regulation.



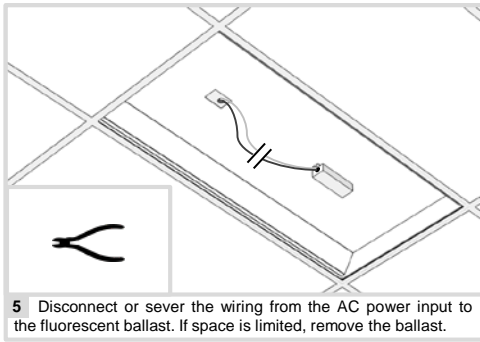
4 Remove existing lens or louver, fluorescent lamps, and fluorescent ballast cover. Discard in proper accordance with current state and federal regulation. Fluorescent lamps contain hazardous materials.



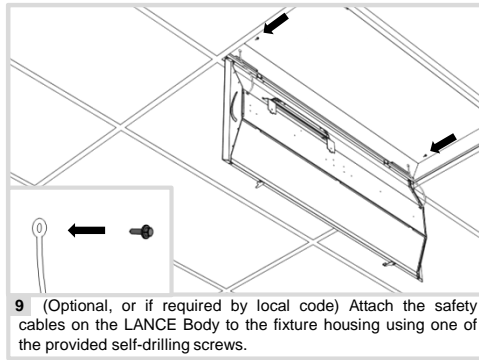
8 Hang the LANCE Body by first hooking the T-hinges into the respective slots in the Brackets. Slowly release the LANCE Body to ensure that it is fully supported and secure.



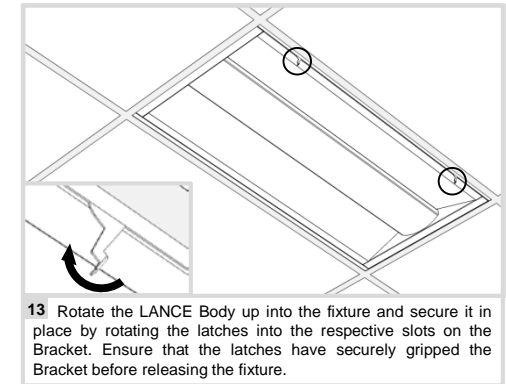
12 Adhere the Fixture ID Label to the original fixture housing in a clearly visible location. This label is required by UL standards.



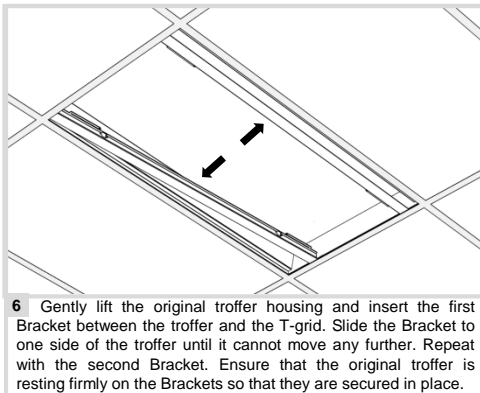
5 Disconnect or sever the wiring from the AC power input to the fluorescent ballast. If space is limited, remove the ballast.



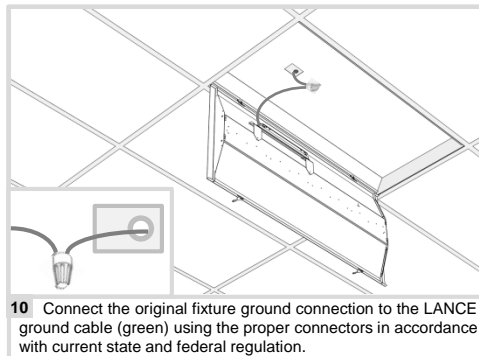
9 (Optional, or if required by local code) Attach the safety cables on the LANCE Body to the fixture housing using one of the provided self-drilling screws.



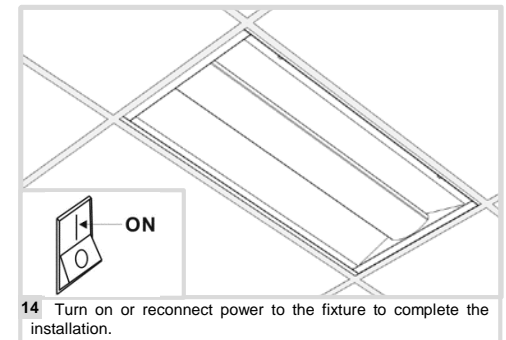
13 Rotate the LANCE Body up into the fixture and secure it in place by rotating the latches into the respective slots on the Bracket. Ensure that the latches have securely gripped the Bracket before releasing the fixture.



6 Gently lift the original troffer housing and insert the first Bracket between the troffer and the T-grid. Slide the Bracket to one side of the troffer until it cannot move any further. Repeat with the second Bracket. Ensure that the original troffer is resting firmly on the Brackets so that they are secured in place.



10 Connect the original fixture ground connection to the LANCE ground cable (green) using the proper connectors in accordance with current state and federal regulation.



14 Turn on or reconnect power to the fixture to complete the installation.

1 Read all Warnings and Installer Notes before proceeding with this retrofit.

2 Check to ensure all parts listed are included in your retrofit kit.