

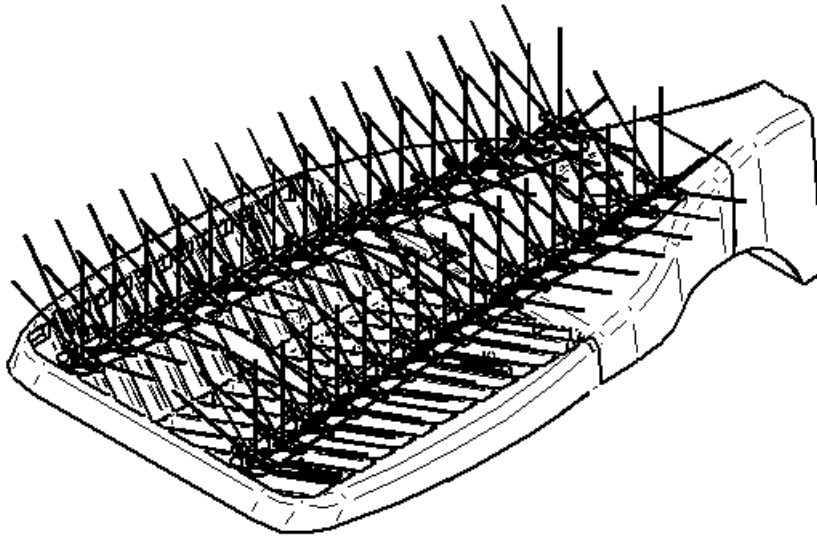


Skyline Bird Spike Installation Guide

This installation instruction applies to the Medium Skyline model. (SAM)

Tools Needed

Drill with 8/32 Hex Head Nut Driver Bit



WARNING

To avoid the risk of fire, explosion, or electric shock, this product shall be installed, inspected, and maintained by a qualified electrician, in accordance with all applicable electrical codes.

WARNING

To avoid electric shock:

- Allow product to cool before servicing.
- Be certain electrical power is OFF before and during installation or maintenance.
- Luminaire must be connected to a wiring system with equipment-ground conductor.

Installation Figures

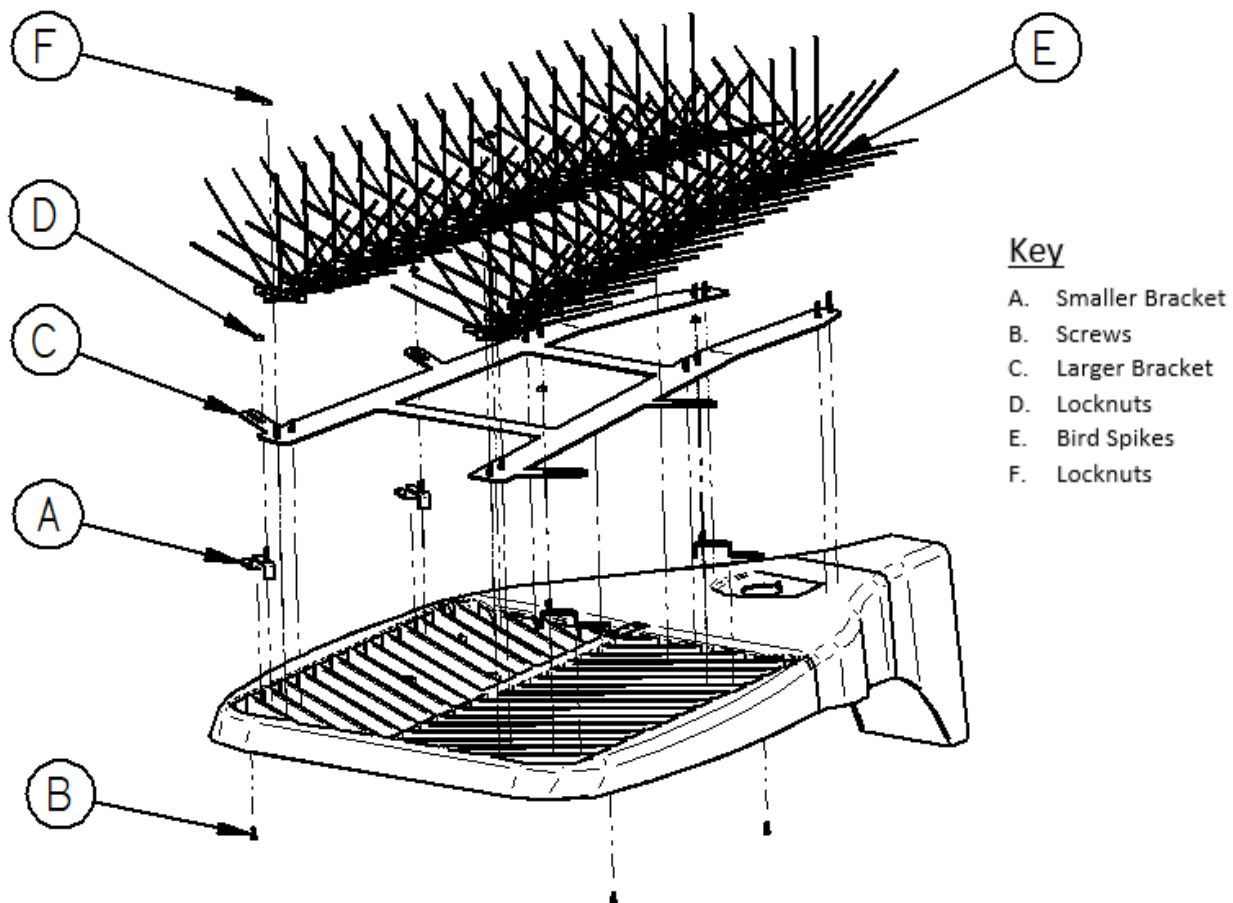


Figure 1 Bird Spike Assembly

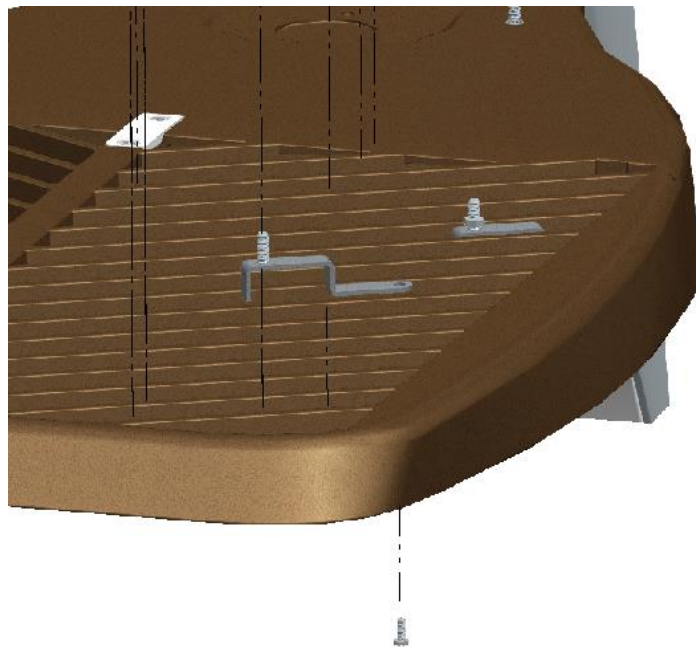


Figure 2 Small Bracket Assembly

Installation Steps

1. Attach the 4 smaller brackets (A) to the location as shown in *Figure 2* using the 4 provided screws (B). Ensure that the PEMs on the smaller bracket (A) are pointing up as shown.
2. Align the larger bracket (C) onto the four PEMs of the smaller brackets (A), ensuring that the PEMs on the larger bracket (C) are also pointing upwards. Secure with the locknuts (D) provided.
3. Align the bird spikes (E) onto the four PEMs of the larger bracket (C) as shown. Use the remaining locknuts (F) to secure the bird spikes (E) to the larger bracket (C).
4. Inspect the fixture to make sure all 4 screws (B) and locknuts (D&F) are fully tightened, and the bird spikes brackets are rigid (A&C).