

BIF

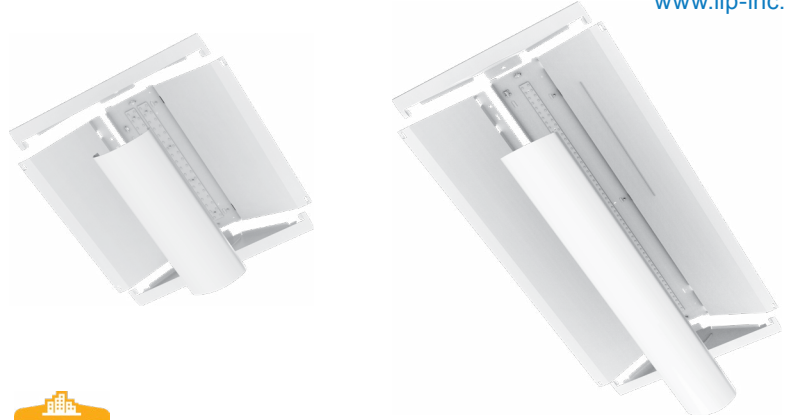


407-478-3759
www.ilp-inc.com

LED - BUILT IN FRAME

FEATURES

- LED Retrofit Kit for recessed troffer applications
- Five piece design delivers seamless finish
- Average install time less than five minutes
- Frosted acrylic lens
- 2x2 & 2x4 sizes available
- >80 Color Rendering Index (CRI)
- Calculated L70 >100,000 hrs
- 0-10V Dimmable Driver (100%-10%)
- 5 Year Warranty
- UL Classified for Damp Locations
- DesignLights Consortium® Premium Qualified Luminaire



SUITABLE APPLICATIONS

- Education
- Healthcare
- Offices
- Hallways
- Multipurpose Rooms
- Conference Rooms

ORDERING GUIDE:

SERIES	WATTS	DRIVER	CCT
BIF22 Built in Frame 2x2	25W 30W	U 120-277V	40
BIF24 Built in Frame 2x4	30W 37W 43W		

OPTIONS

Factory Installed

EM5	Field Installed 5W LED Battery Backup
EM5/HE	Field Installed 5W LED Battery Backup - CEC Title 20 Compliant
EM7	Field Installed 7W LED Battery Backup
EM7/HE	Field Installed 7W LED Battery Backup - CEC Title 20 Compliant
EM10	Field Installed 10W LED Battery Backup
EM10/HE	Field Installed 10W LED Battery Backup - CEC Title 20 Compliant
EM12	Field Installed 12W LED Battery Backup



QUICK SHIP ITEMS:

SERIES	WATTS	DRIVER	CCT
BIF22 Built in Frame 2'x2'	25W 30W	U 120-277V	40
BIF24 Built in Frame 2'x4'	30W 37W 43W		

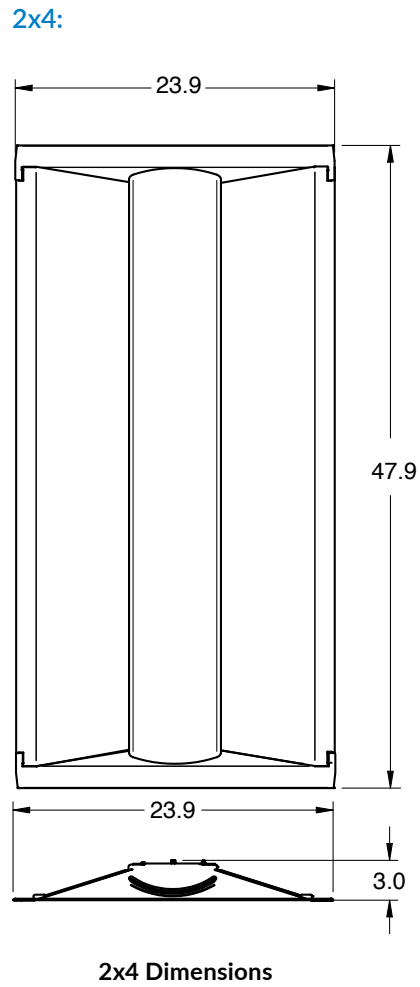
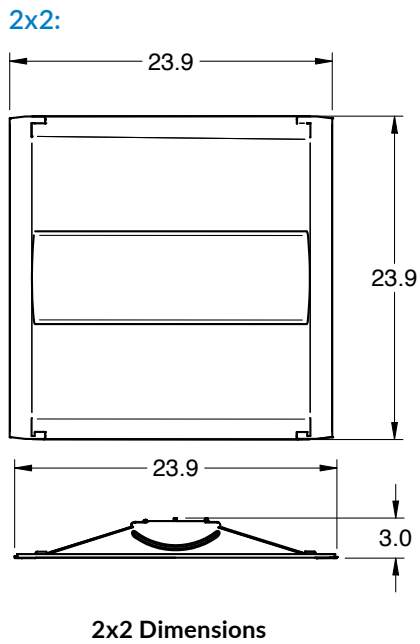
BIF

LED - BUILT IN FRAME

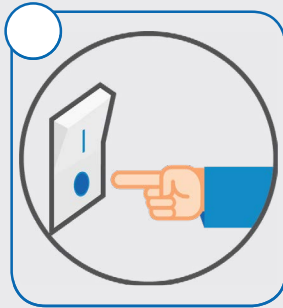
LED SYSTEMS INFORMATION ¹	4000K		Watts ²	DLC Listing	Replaces
	Part Numbers	Lumens			
BIF22-25W	3,000 lm	130 lm/W	23 W	Unlisted	2T8
BIF22-30W	3,840 lm	128 lm/W	30 W	Unlisted	2T8
BIF24-30W	4,232 lm	132 lm/W	32 W	Premium	2T8
BIF24-37W	4,721 lm	133 lm/W	36 W	Premium	3T8
BIF24-43W	5,337 lm	129 lm/W	42 W	Standard	3T8

¹LED Chips are frequently updated therefore values are nominal
²Electrical data at 25C (77F). Actual wattage may differ by +/-10%.

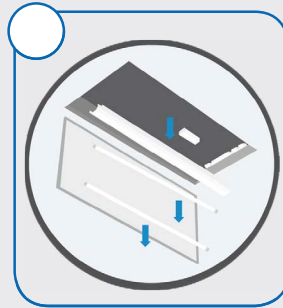
LINE DRAWINGS



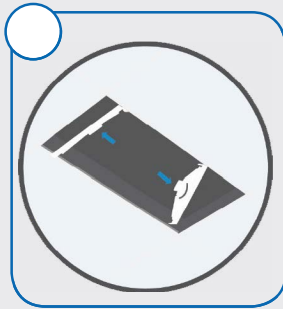
INSTALL INSTRUCTIONS



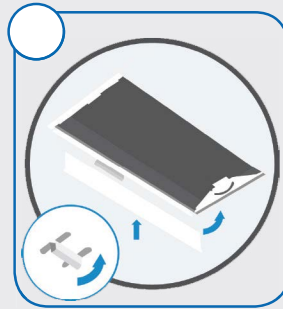
- **STEP 1**
- Shut off or disconnect power to the fixture.



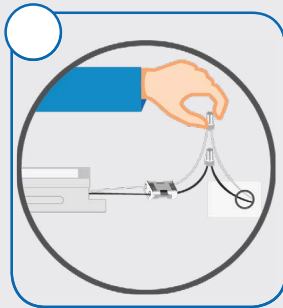
- **STEP 2**
- Remove existing fluorescent lamps and components, then disconnect existing connections to the fluorescent ballast.



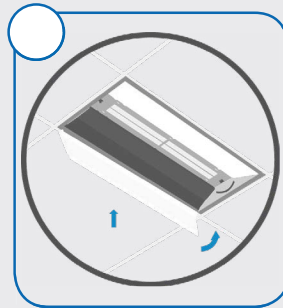
- **STEP 3**
- Gently lift the original housing and insert the brackets between the housing and the T-grid.



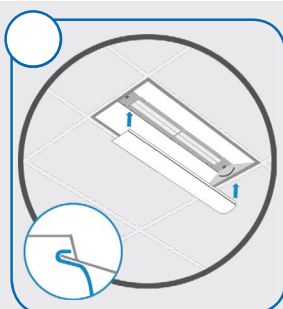
- **STEP 4**
- Install the gear panel by first hooking the slots into the respective tabs in the end panels. Rotate the fasteners to secure in place.



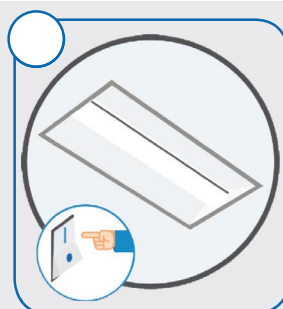
- **STEP 5**
- Connect the BIF to AC power and ground.



- **STEP 6**
- Install the side panel by first hooking the slots into the respective tabs in the end panels. Rotate the fasteners to secure in place.



- **STEP 7**
- Install the lens by hooking onto the tabs on the gear panel and the side panel.



- **STEP 8**
- Turn on or reconnect power to the fixture to complete the installation.