

Project Name:

Part Number:

Type:

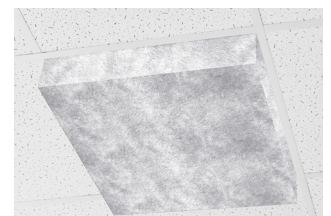
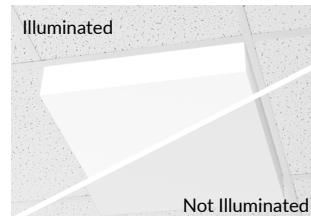
envi
COLLECTION

Designer Panel Fixture

ILP
407-478-3759
www.ilp-inc.com

FEATURES

- Low Glare Smooth Uniform Illumination Customizable Panel Fixture powered by VPAN select
- Robust Die-Formed Housing with Post-Paint Finish
- Select from Various Lens Options Adding Personality & Dimension to Any Space
- Pair Lenses with Acoustic Drop Panels to Absorb Sound and Deliver More Comfortable Interior Spaces
- Grid, Flange, Surface, Suspended, Skylight & Skylight Tilt Mounting Options
- Suitable for 15/16" and 9/16" T-Grid Ceiling Types
- 2x2 & 2x4 Sizes
- Field Selectable or Factory Set Lumen & CCT Outputs
 - 2x2: 2,700 to 4,400lm
 - 2x4: 3,300 to 8,000lm
 - 3500K, 4000K, 5000K CCTs
- >80 Color Rendering Index (CRI)
- Calculated L70 >100,000hrs
- 120-277V & 347V 0-10V 10% Dim, Bi-Level, Line Voltage, & 1% Dimming Driver Options
- Type IC Rated for Insulation Contact
- 5 Year Warranty
- ETL Listed for Dry and Damp Locations
- DesignLights Consortium® Qualified Luminaire



SUITABLE APPLICATIONS

- Education
- Healthcare
- Commercial Office
- Retail
- Grocery Store
- Hospitality



ORDERING GUIDE EXAMPLE PART #: VPAN22-22L/33L/44L-U-CCTS-ISL

SERIES	LUMENS (select one)	DRIVER	CCT	envi LENSES ^{14, 17} (Select One)		ALT. DRIVERS				
VPAN22 2x2 Back-Lit Flat Panel	22L/33L/44L - Selectable	U 120-277V	CCTS 35/40/50 Selectable	ISL	Internal Slot Lens	(BLANK)	Standard Driver 0-10V Dim			
	22L			35	FCL	Center Frame Lens	SR ¹¹	Sensor-Ready Driver		
	33L			40	RFL	Reeds Frame Lens	DR ¹¹	DALI Driver		
	44L			50	HAL	Hexad Lens	BLD ¹¹	Bi-Level Dimming Driver		
VPAN24 2x4 Back-Lit Flat Panel	33L/44L/55L Selectable			CPL	Cubed Panoramic Lens	LVD120 ^{11, 12, 13}	120V Line Voltage Leading Edge Forward Phase Driver			
	33L				CSL	Center Square Lens	LVD277 ^{11, 12, 13}	277V Line Voltage Leading Edge Forward Phase Driver		
	44L				PVL	Peak View Lens				
	55L				WWL	Whispering Woods Lens				
					ASL	Alpine Serenity Lens				
					LAL	Leafy Aura Lens				
					SKL	Cloudy Sky Lens				
					XXL ¹⁶	Custom Lens				
									DIM1 ¹¹	1% Dimming Driver
				50L/65L/80L Selectable			ADL/x ^{10, 20}	Acrylic Drop Lens (x=2, 4, or 6 for Drop Inch Depth)		

OPTIONS		CONTROLS	
Factory Installed		Basic	
EM5	5W LED Factory Installed Battery Backup	MWS ³	User Selectable Bi-Level Dimming Microwave Sensor
EM5/HE ¹	5W LED Factory Installed Battery Backup	Advanced	
EM7	7W LED Factory Installed Battery Backup	ESMC/CM ^{6,7,8,9}	EasySense Grouping Ceiling Mount Sensor
EM7/HE ¹	7W LED Factory Installed Battery Backup	5E/CU/CL ⁹	Enlighted 5E Connected Lighting (CL) Sensor with Control Unit
EM10	10W LED Factory Installed Battery Backup	5E/CU/IOT ⁹	Enlighted 5E Internet of Things (IOT) Sensor with Control Unit
EM10/HE ¹	10W LED Factory Installed Battery Backup	VDO ^{9,11}	Lutron Vive DFCSJ-OEM-OCC Daylight & Occupancy Control
EM10/HE/SD ¹	10W LED Factory Installed Self-Diagnosing Battery Backup	VRF ^{9,11}	Lutron Vive DFCSJ-OEM-RF Radio Frequency Communication Only
EM12	12W LED Factory Installed Battery Backup	AWN ²¹	Lutron Athena Wireless Node
SD347 ²	347V Step Down Transformer	AWNS ²¹	Lutron Athena Wireless Node with Sensor
MCx/3W	Metal Conduit (x=ft), 3-wire		
MCx/4W	Metal Conduit (x=ft), 4-wire		
MCx/5W	Metal Conduit (x=ft), 5-wire		
MCx/6W	Metal Conduit (x=ft), 6-wire		
MOUNTING OPTIONS ¹⁴ (Select One)		ACOUSTIC DROP PANEL ¹⁴	
(BLANK)	Standard Grid Mounting	ADP/x/Axx ^{10,18}	Acoustic Drop Panel (x =2, 4, 6 for Drop Inch Depth; Axx = color)
FLGKxx	Flange Mount Kit (xx=size, 22=2x2)		
+VPANxx SM	Surface Mount Kit (xx=size, 22=2x2)		
+VPANxx SMSK	Surface Mount Skirt Kit (xx=size, 22=2x2)		
+VPANxx SLMK	Skylight Mount Kit - White Finish (xx=size, 22=2x2)		
+VPANxx SLMK BLK	Skylight Mount Kit - Black Finish (xx=size, 22=2x2)		
+VPANxx SLMK xxx	Skylight Mount Kit (xx=size, 22 = 2x2; xxx = custom color)		
+VPAN22 SLMK/T ¹⁰	Skylight Mount Kit Tilt - White Finish		
+VPAN22 SLMK/T BLK ¹⁰	Skylight Mount Kit Tilt - Black Finish		
+VPANxx SEK ¹⁵	Suspended Enclosure Kit - 60" aircraft cable (xx=size, 22=2x2)		
Ship With Accessories			
ACx/L ⁵	Aircraft Cable Loop Set for Suspension Mounting (x=ft)		
MW/RC ⁴	Programming Tool for MWS Sensor		
ESMC/WWS/DR	Wireless Wall Dual Rocker Switch To Control Each ES Group Of Fixtures		

¹CEC Title 20 Compliant

²Does not qualify for DLC

³Must be used with MW/RC option for commissioning

⁴One needed per project

⁵Two sets required per fixture for suspension mounting

⁶Easily Controlled via Mobile Phone with Bluetooth App

⁷Must be used with SR Sensor Ready Driver

⁸One Sensor can be wired to up to (4) fixtures with SR Sensor Ready Driver Option

⁹Sensor to be mounted in adjacent ceiling tile

¹⁰Only available on 2x2 sizes

¹¹Not compatible with the Lumen Selectable and CCT Selectable functions

¹²Not compatible with SD347

¹³Not compatible with Sensor options

¹⁴Shipped as field installable accessories

¹⁵Aircraft Cable Set Included

¹⁶Contact factory for options

¹⁷Review lens options on page 3

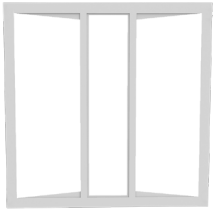
¹⁸Color options available on page 4

¹⁹Contact factory

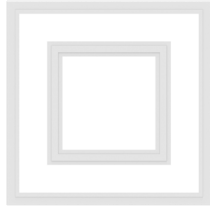
²⁰Only Compatible with Grid Ceiling Mounting Method

²¹Sensor Installed into Knockout of Driver Box Housing

envi STANDARD LENS OPTIONS



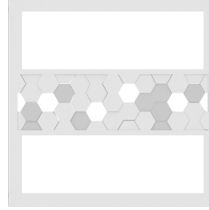
ISL
Internal Slot Lens



FCL
Center Frame Lens



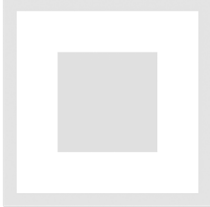
RFL
Reeds Frame Lens



HAL
Hexad Lens



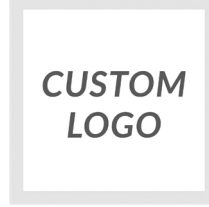
CPL
Cubed Panoramic Lens



CSL
Center Square Lens



PVL
Peak View Lens



XXL
Custom Lens

envi BIOPHILIC LENS OPTIONS



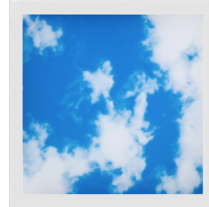
WWL
Whispering Woods Lens



ASL
Alpine Serenity Lens



LAL
Leafy Aura Lens



SKL
Cloudy Sky Lens

DROP LENS, SKYLIGHT MOUNT & ACOUSTIC DROP PANEL OPTIONS



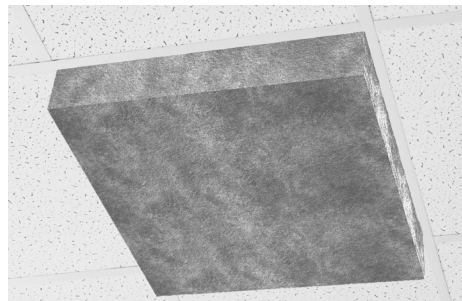
ADL/x Acrylic Drop Lens
2",4",6" (x=2, 4, or 6 for Drop Inch Depth)
Shown with 2" Acrylic Drop Lens



+VPANxx SLMK Skylight Mount Kit
(xx=size, 22=2x2)
Shown in 2x2 Size with SKL Cloudy Sky Lens



+VPANxx SLMK/ T BLK Skylight Mount Kit Tilt
(xx=size, 22=2x2)
Shown in 2x2 Size with PVL Peak View Lens



ADP/x/Axx Acoustic Drop Panel
2",4",6" (x=2, 4, 6 for Drop Inch Depth; Axx = color)
Shown with 2" Acoustic Drop Panel in A02 Pewter Color

ACOUSTIC SOLUTIONS



Acoustic drop panels are architectural elements designed to enhance the acoustic performance of a space by reducing noise, improving speech intelligibility, and minimizing echoes and reverberation. Deployed to control excessive sound reflections and create a more comfortable acoustic environment.

envi ACOUSTIC SOLUTION

- 2x2 sound absorbing panels available in 2", 4" and 6" drop heights
- Designed for 15/16" and 9/16" grid ceilings
- Class A flame rating
- Wide array of color options allows you to fully customize any space
- Pair acoustic drop panels with envi designer panel fixtures to envision a new way to transform your space

NRC - NOISE REDUCTION COEFFICIENT

NRC stands for Noise Reduction Coefficient, indicating the measure of an Acoustic Drop Panels ability to absorb sound and reduce noise within a space. The rating typically ranges from 0 to 1. Higher values indicate better sound absorption.

BENEFITS

- Increase work efficiency
- Increase comfort for occupants
- Increase sound quality
- Decrease noise levels
- Decrease sound reverberation
- Decrease distractions

ACOUSTIC DROP COLOR OPTIONS

ADP/x/Axx Acoustic Drop Panel (x =2, 4, 6 for Drop Inch Depth; Axx = color) EX: ADP/2/A01 - Acoustic Drop Panel 2 Inch Slate Color

NRC Noise Reduction Coefficient: Color Options A01 - A03 have a NRC of 0.8, Color Options A04 - A24 have a NRC of 0.9



Standard colors A01 - A03

Custom colors A04 - A24 subject to MOQ, extended lead time, and one-time setup fee

LED SYSTEMS INFORMATION ¹			3500K		4000K		5000K		Watts ²	Replaces
Model Numbers	Fixed Model Numbers	Lens	Lumens	Efficacy	Lumens	Efficacy	Lumens	Efficacy		
VPAN22-22L/33L/44L-U-CCTS -XXX	VPAN22-22L-U-XX	ISL	2629 lm	129 lm/W	2886 lm	147 lm/W	2707 lm	133 lm/W	20W	1T8
		FCL	2599 lm	128 lm/W	2852 lm	145 lm/W	2676 lm	132 lm/W		
		RFL	2629 lm	129 lm/W	2886 lm	147 lm/W	2707 lm	133 lm/W		
		HAL	2599 lm	128 lm/W	2853 lm	145 lm/W	2676 lm	132 lm/W		
		CPL	2476 lm	122 lm/W	2718 lm	139 lm/W	2550 lm	125 lm/W		
		CSL	2512 lm	123 lm/W	2758 lm	141 lm/W	2587 lm	127 lm/W		
	PVL	2313 lm	114 lm/W	2539 lm	129 lm/W	2382 lm	117 lm/W			
	VPAN22-33L-U-XX	ISL	3516 lm	115 lm/W	3966 lm	136 lm/W	3659 lm	119 lm/W	30W	2T8
		FCL	3475 lm	114 lm/W	3920 lm	134 lm/W	3616 lm	118 lm/W		
		RFL	3516 lm	115 lm/W	3967 lm	136 lm/W	3659 lm	119 lm/W		
		HAL	3476 lm	114 lm/W	3921 lm	134 lm/W	3617 lm	118 lm/W		
		CPL	3311 lm	109 lm/W	3736 lm	128 lm/W	3446 lm	112 lm/W		
		CSL	3359 lm	110 lm/W	3790 lm	129 lm/W	3496 lm	114 lm/W		
	PVL	3093 lm	102 lm/W	3489 lm	119 lm/W	3219 lm	105 lm/W			
	VPAN22-44L-U-XX	ISL	4360 lm	110 lm/W	4961 lm	132 lm/W	4534 lm	114 lm/W	39W	3T8
		FCL	4310 lm	109 lm/W	4905 lm	130 lm/W	4481 lm	113 lm/W		
		RFL	4361 lm	110 lm/W	4963 lm	132 lm/W	4534 lm	114 lm/W		
		HAL	4311 lm	109 lm/W	4906 lm	130 lm/W	4482 lm	113 lm/W		
CPL		4107 lm	104 lm/W	4674 lm	124 lm/W	4270 lm	108 lm/W			
CSL		4167 lm	105 lm/W	4742 lm	126 lm/W	4332 lm	109 lm/W			
PVL	3836 lm	97 lm/W	4366 lm	116 lm/W	3989 lm	101 lm/W				
VPAN24-33L/44L/55L-U-CCTS -XXX	VPAN24-33L-U-XX	ISL	3714 lm	125 lm/W	4186 lm	150 lm/W	4000 lm	135 lm/W	29W	2T8
		FCL	3579 lm	121 lm/W	4035 lm	145 lm/W	3855 lm	130 lm/W		
		RFL	3664 lm	123 lm/W	4130 lm	148 lm/W	3946 lm	133 lm/W		
		HAL	3633 lm	122 lm/W	4095 lm	147 lm/W	3913 lm	132 lm/W		
		CPL	3535 lm	119 lm/W	3985 lm	143 lm/W	3807 lm	128 lm/W		
		CSL	3517 lm	119 lm/W	3964 lm	142 lm/W	3788 lm	128 lm/W		
	PVL	3161 lm	106 lm/W	3681 lm	132 lm/W	3336 lm	112 lm/W			
	VPAN24-44L-U-XX	ISL	4411 lm	115 lm/W	4989 lm	135 lm/W	4695 lm	123 lm/W	38W	3T8
		FCL	4251 lm	111 lm/W	4808 lm	130 lm/W	4525 lm	119 lm/W		
		RFL	4352 lm	114 lm/W	4922 lm	133 lm/W	4632 lm	121 lm/W		
		HAL	4315 lm	113 lm/W	4880 lm	132 lm/W	4593 lm	120 lm/W		
		CPL	4199 lm	110 lm/W	4749 lm	128 lm/W	4469 lm	117 lm/W		
		CSL	4177 lm	109 lm/W	4724 lm	127 lm/W	4446 lm	116 lm/W		
	PVL	3879 lm	101 lm/W	4387 lm	118 lm/W	4128 lm	108 lm/W			
	VPAN24-55L-U-XX	ISL	5736 lm	116 lm/W	6100 lm	130 lm/W	6142 lm	125 lm/W	49W	4T8
		FCL	5166 lm	105 lm/W	5880 lm	125 lm/W	5554 lm	113 lm/W		
		RFL	5659 lm	114 lm/W	6015 lm	128 lm/W	6059 lm	123 lm/W		
		HAL	5243 lm	106 lm/W	5967 lm	127 lm/W	5637 lm	114 lm/W		
CPL		5102 lm	103 lm/W	5801 lm	124 lm/W	5485 lm	111 lm/W			
CSL		5076 lm	103 lm/W	5774 lm	123 lm/W	5457 lm	111 lm/W			
PVL	4713 lm	95 lm/W	5356 lm	114 lm/W	5067 lm	103 lm/W				
VPAN24-50L/65L/80L-U-CCTS -XXX	VPAN24-50L-U-XX	ISL	5153 lm	136 lm/W	5312 lm	141 lm/W	5217 lm	136 lm/W	38W	4T8
		FCL	4966 lm	131 lm/W	5119 lm	136 lm/W	5028 lm	132 lm/W		
		RFL	5084 lm	134 lm/W	5240 lm	139 lm/W	5146 lm	135 lm/W		
		HAL	5041 lm	133 lm/W	5196 lm	138 lm/W	5103 lm	133 lm/W		
		CPL	4905 lm	129 lm/W	5056 lm	134 lm/W	4965 lm	130 lm/W		
		CSL	4880 lm	128 lm/W	5030 lm	134 lm/W	4940 lm	129 lm/W		
	PVL	4532 lm	119 lm/W	4671 lm	124 lm/W	4587 lm	120 lm/W			
	VPAN24-65L-U-XX	ISL	6222 lm	132 lm/W	6420 lm	138 lm/W	6274 lm	133 lm/W	47W	5T8
		FCL	5996 lm	127 lm/W	6187 lm	133 lm/W	6046 lm	128 lm/W		
		RFL	6138 lm	130 lm/W	6333 lm	137 lm/W	6189 lm	131 lm/W		
		HAL	6086 lm	129 lm/W	6280 lm	135 lm/W	6137 lm	130 lm/W		
		CPL	5922 lm	125 lm/W	6111 lm	132 lm/W	5972 lm	126 lm/W		
		CSL	5892 lm	125 lm/W	6080 lm	131 lm/W	5941 lm	126 lm/W		
	PVL	5471 lm	116 lm/W	5645 lm	122 lm/W	5517 lm	117 lm/W			
	VPAN24-80L-U-XX	ISL	7307 lm	127 lm/W	7606 lm	136 lm/W	7371 lm	129 lm/W	57W	6T8
		FCL	7042 lm	122 lm/W	7330 lm	132 lm/W	7103 lm	124 lm/W		
		RFL	7208 lm	125 lm/W	7503 lm	135 lm/W	7271 lm	127 lm/W		
		HAL	7148 lm	124 lm/W	7440 lm	133 lm/W	7210 lm	126 lm/W		
CPL		6955 lm	121 lm/W	7239 lm	130 lm/W	7015 lm	123 lm/W			
CSL		6920 lm	120 lm/W	7203 lm	129 lm/W	6980 lm	122 lm/W			
PVL	6426 lm	112 lm/W	6688 lm	120 lm/W	6481 lm	113 lm/W				

¹ Values are nominal, see IES file for more detail ² Electrical data at 25C (77F). Actual wattage may differ by +/- 10%
* Ambient Temperature range is -4°F - 104°F for all models

SPECIFICATIONS

CONSTRUCTION

Robust Die-Formed Housing and lens frame with Post-Paint Finish for rigidity and durability. Formed, welded and tightly constructed corners seal to housing to deter entrance of outside particles. Designed to achieve maximum performance and improved aesthetics.

ELECTRICAL

Class 2 LED light engine for high efficacy and long life. Calculated L70 > 100,000hrs. Power Factor > 0.90. Standard 120-277 Vac 0-10V dimmable (10% - 100%). Optional 347V step down transformer. Optional Bi-level dimming driver (50%). Optional 120V & 277V Line Voltage driver. 1% Dimming Driver option. Lumen Selectable fixtures allow for ease of field lumen adjustment with switch located on top side of driver. Lumen Selectable fixtures ship at the highest lumen output. CCT Selectable fixtures ship at 4000K.

INSTALLATION

Designed for a variety of mounting solutions including recessed grid, flange and surface mount. Can be installed into standard 15/16" & 9/16" T-grid ceiling. 9/16" installations will reveal portions of post painted fixture frame. Standard integral T-grid clips affixed to housing for secure fixture to grid ceiling. Access plate installed on top of driver housing for ease of hardwire power connections. Mounting clips provided for easy installation of the desired lens. Optional factory installed power flex conduit whip (MC) available to reduce installation time. Lens options install to the outside of the light fixture and fastened with brackets. Please review installation instructions for more information.

OPTICS

High transmission extruded PMMA frosted acrylic lens with excellent shielding for durability and LED glare reduction. Individual micro optics present over each LED chip to provide smooth uniform illumination. Select from various lens options adds Personality & Dimension to any space.

CONTROLS

Factory installed bi-level dimming microwave sensor to provide maximum energy savings when area is unoccupied. Sensor requires use of programming tool to set low end trim fixture output. Sensor installed behind lens. Advanced Control options also available and would be remotely mounted in the neighboring ceiling tile.

CERTIFICATIONS

ETL Listed to US and Canadian safety standards. Suitable for damp locations. Type IC Rated for Insulation Contact. Title 24 Compliant with sensor option; see local ordinance for qualification information. DLC (DesignLights Consortium) Standard Qualified. Please refer to the DLC Qualified Products List at www.designlights.org/QPL to confirm specific product qualifications.

WARRANTY

5 Year Warranty Standard; ([Terms and Conditions](#) apply).

ADVANCED CONTROLS OPTIONS

EASYSense

ESMC/CM

EasySense sensor combines occupancy sensing, daylight harvesting and institutional tuning in one compact solution. This is an ideal control for any Commercial application. Each device allows you to turn on/off occupancy and/or daylight harvesting functions as well as set the full light output, background light level, occupancy prolong time, occupancy grace fading time & occupancy time out/hold time. It can be easily controlled via the Philips MasterConnect Bluetooth App on a mobile phone.



ENLIGHTED

5E/CU/CL

Bundled System with Enlighted 5E sensor (SU-5E-CL), Control Unit (CU-4E-FM) and Cable (CBL-5E-CU4-30N). Fixtures are controlled based on occupancy and ambient light. Includes individual lighting control plus connection to Enlighted Energy Manager. The Energy Manager provides data analysis for all data collected by the Enlighted Smart Sensors for energy, occupancy and environment. Provided with factory installed components only. Enlighted system provided by others. Contact factory for more information. (see image above)



ESMC/WWS/DR

Optional Wireless / Batteryless Dual Rocker Wall Switch. Up to 100ft range. Functions include: On/Off, dimming and setting of (2) scenes for full room control.

Specifications:

- Wireless
- Batteryless
- Dual Rocker
- ZigBee®
- 30-100ft Range

Functions:

1. On (Hold to brighten up)
2. Off (Hold to dim down)
3. Scene 1
4. Scene 2



5E/CU/IOT

Bundled System with Enlighted 5E sensor (SU-5E-IOT), Control Unit (CU-4E-FM) and Cable (CBL-5E-CU4-30N). Fixtures are controlled based on occupancy and ambient light. Includes individual lighting control plus connection to Enlighted Energy Manager. Energy Manager provides data analysis for all data collected by Enlighted Smart Sensors for energy, occupancy & environment. Additionally, the IOT functionality takes the data access and function beyond just lighting to a wide range of applications beyond the standard connected lighting controls. Provided with factory installed components only. Enlighted system provided by others. Contact factory for more information. (see image above)

LUTRON

VDO

Vive DFCSJ-OEM-OCC integral fixture control sensor with daylight & occupancy. Vive provides intuitive programming allowing for maximum flexibility with wireless communication & sensing as desired. Provided with factory installed components only. Lutron system provided by others. Sensor must be used in conjunction with Pico Switch/Dimmer. Cannot be used in conjunction with mechanical on/off power switch. Contact factory for more information.



AWNR

Athena wireless node is a radio frequency (RF) device that enables simple, digital control of individual light fixtures in an Athena control system. Enables individual wireless control of each fixture in an Athena control system. Accommodates zone and control changes without rewiring. All drivers on the link are controlled as a single zone. Provided with factory installed components only. Lutron Athena system provided by others.



VRF

Vive DFCSJ-OEM-RF integral fixture control with Radio Frequency (RF) communication. Vive provides intuitive programming allowing for maximum flexibility with wireless communication as desired. Provided with factory installed components only. Lutron system provided by others. Sensor must be used in conjunction with Pico Switch/Dimmer. Cannot be used in conjunction with mechanical on/off power switch. Contact factory for more information.



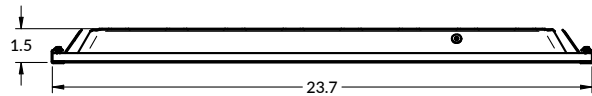
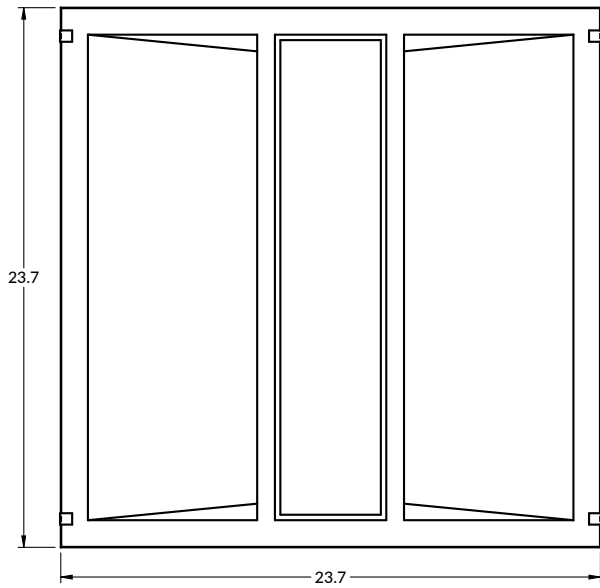
AWNS

Athena wireless node with a sensor that enables simple, digital control of individual light fixtures in an Athena control system. Provides wireless control of the fixture and includes a passive infrared (PIR) sensor for occupancy and a daylight sensor. Enables individual wireless control of each fixture in an Athena control system. Accommodates zone and control changes without rewiring. All drivers on the link are controlled as a single zone. Provided with factory installed components only. Lutron Athena system provided by others.



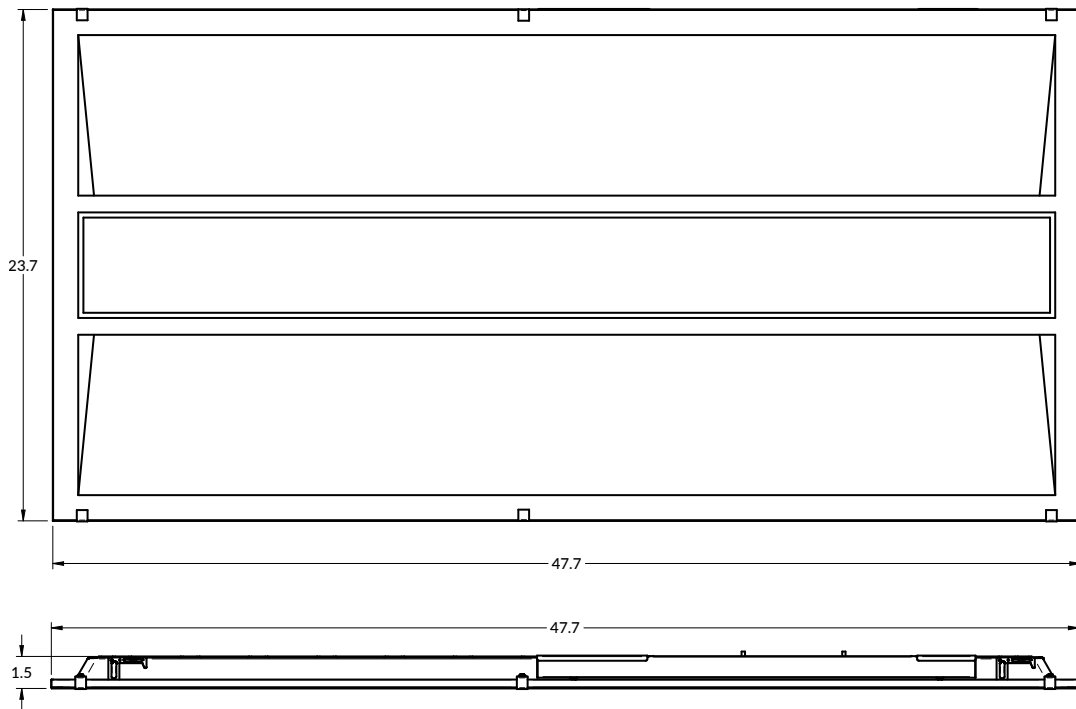
LINE DRAWINGS

2x2 Dimensions with ISL Internal Slot Lens



Shown with ISL Internal Slot Lens option. Measurements are the same across lens types, design may vary depending on lens selection.

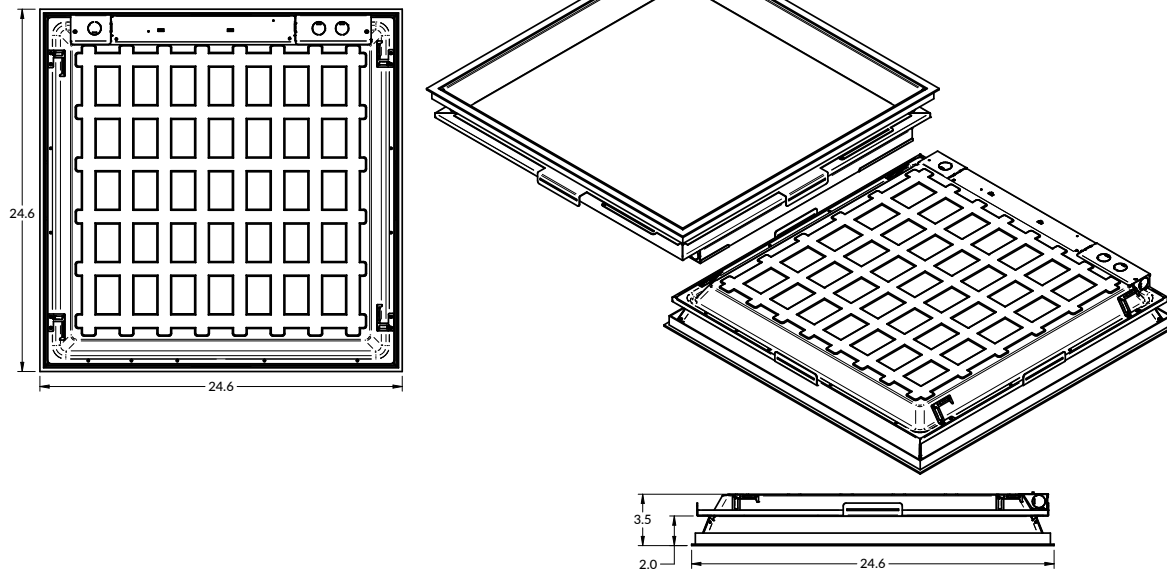
2x4 Dimensions with ISL Internal Slot Lens



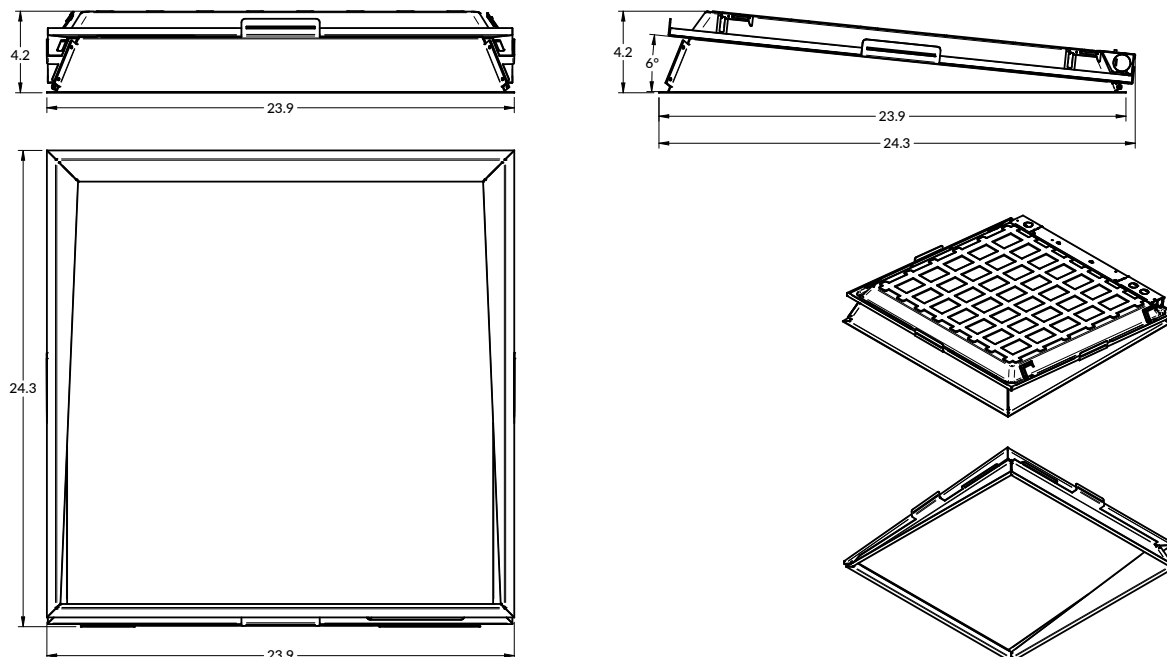
Shown with ISL Internal Slot Lens option. Measurements are the same across lens types, design may vary depending on lens selection.

LINE DRAWINGS

2x2 Dimensions with SLMK Skylight Mount Kit

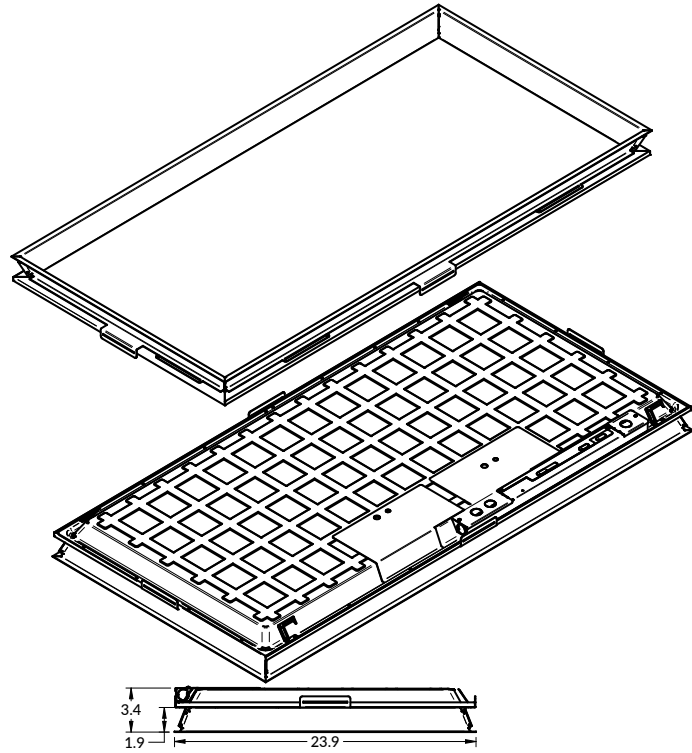
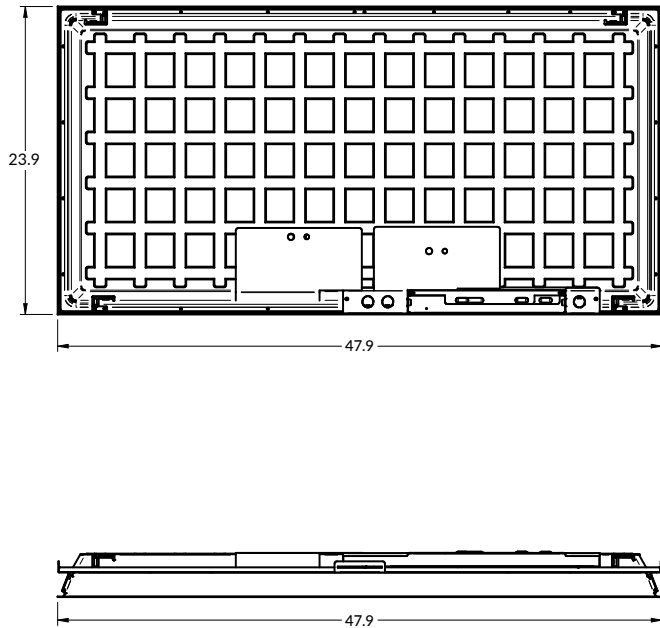


2x2 Dimensions with SLMK/T Skylight Mount Tilt Kit

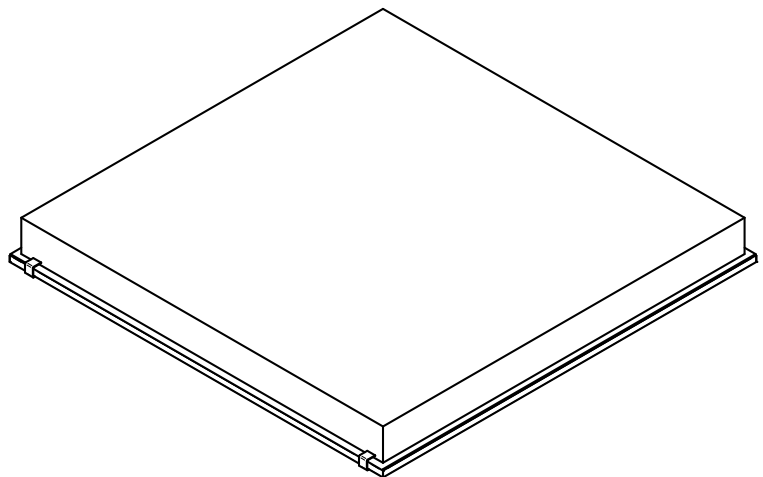
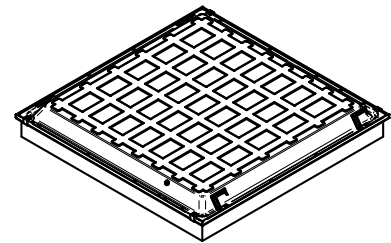
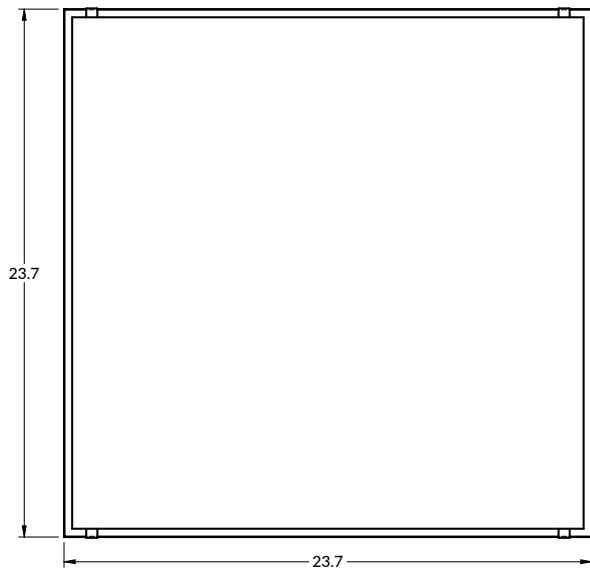
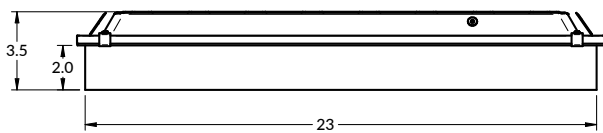


LINE DRAWINGS

2x4 Dimensions with SLMK Skylight Mount Kit

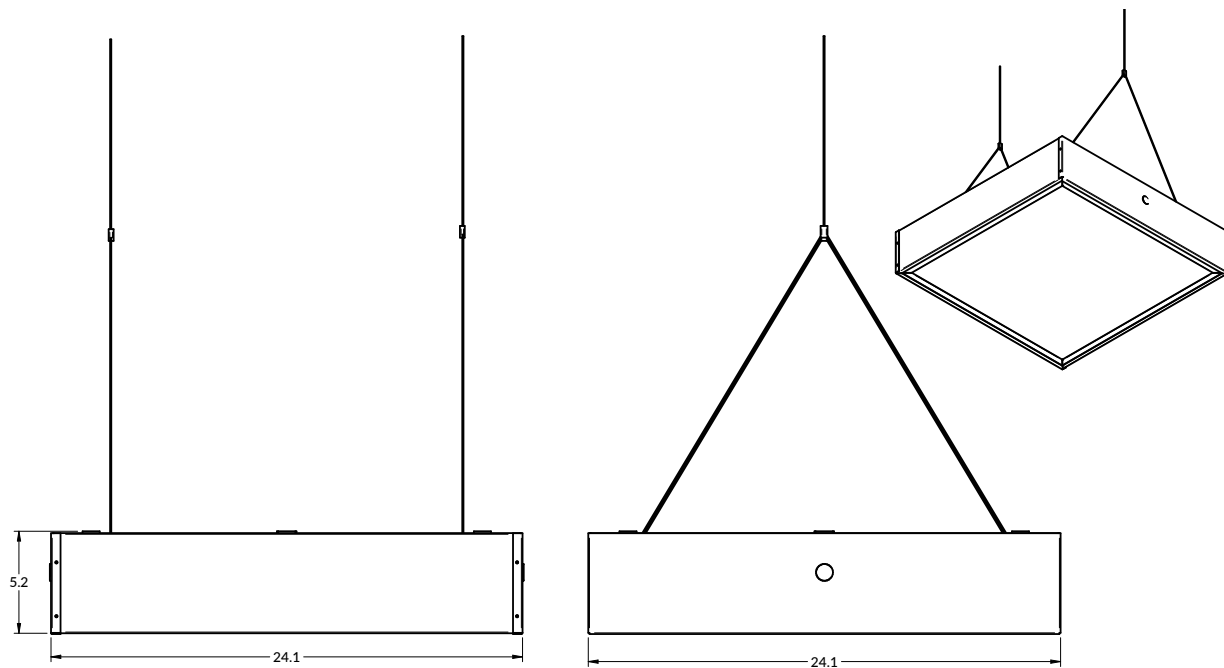


2x2 Dimensions with ADL/2 Acrylic Drop Lens 2"

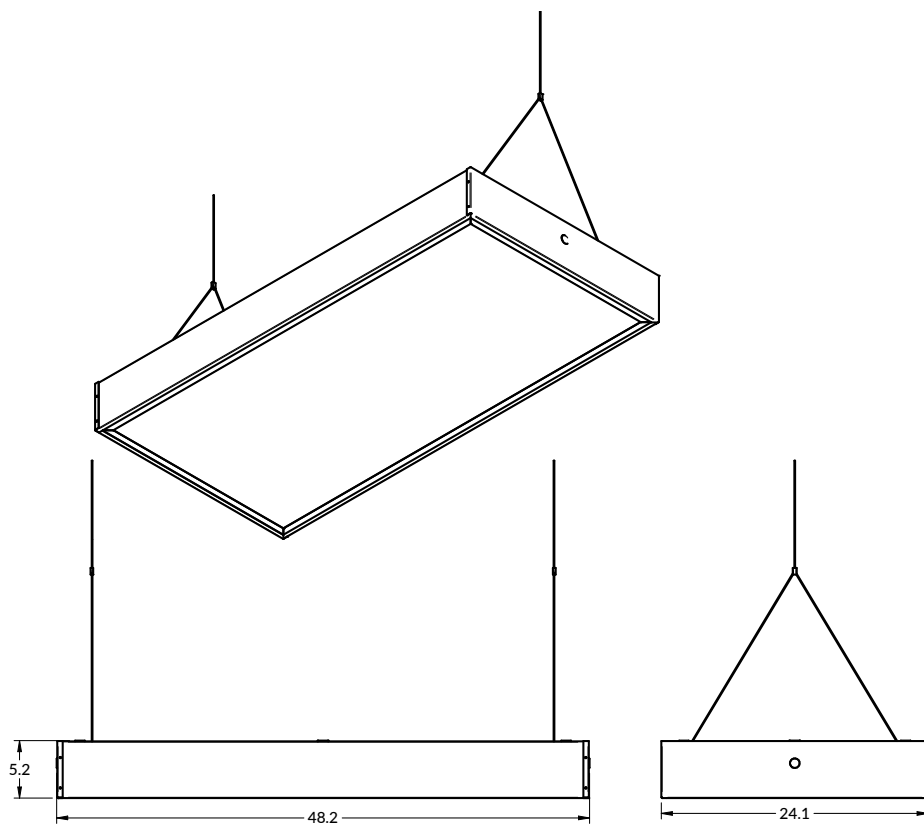


LINE DRAWINGS

2x2 Dimensions with SEK Suspended Enclosure Kit

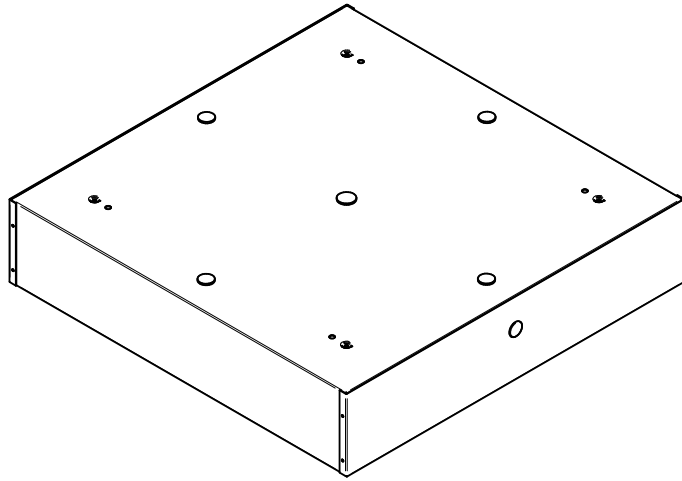
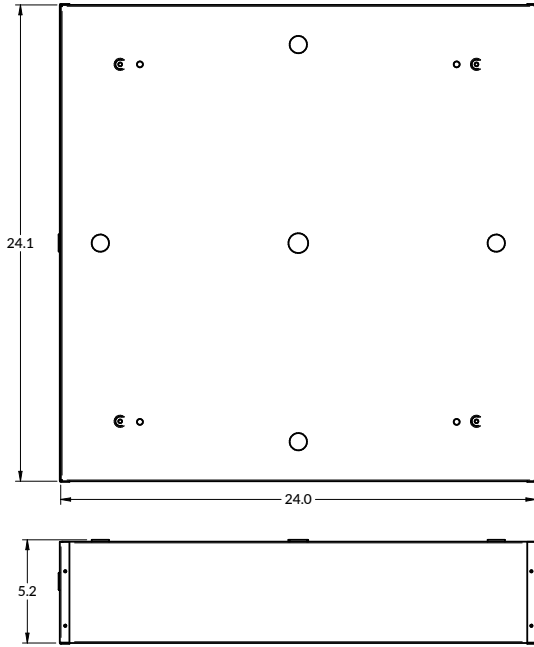


2x4 Dimensions with SEK Suspended Enclosure Kit

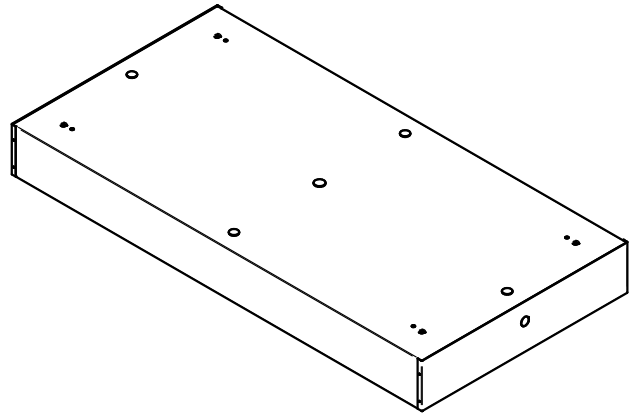
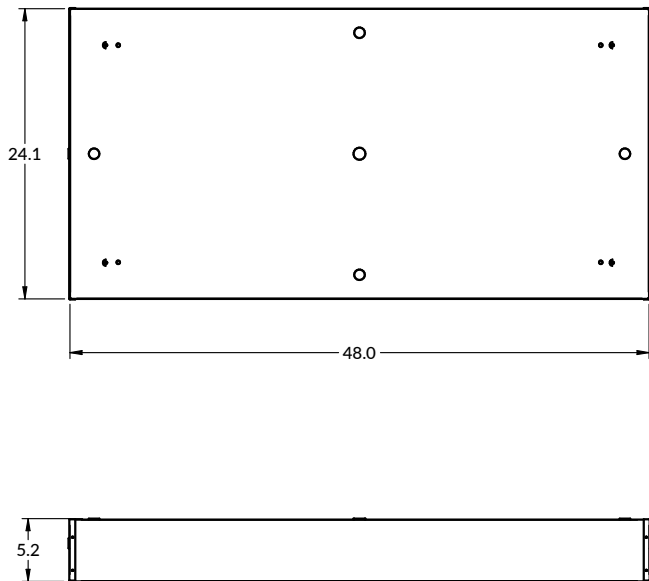


LINE DRAWINGS

2x2 Dimensions with SM Surface Mount Kit

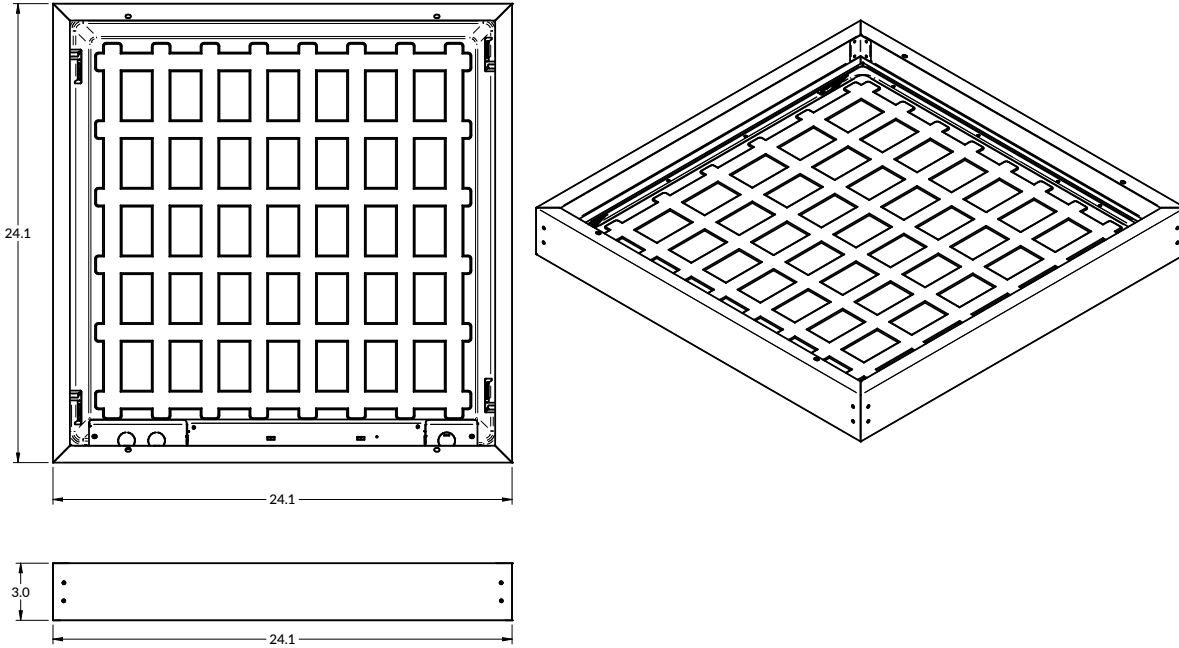


2x4 Dimensions with SM Surface Mount Kit

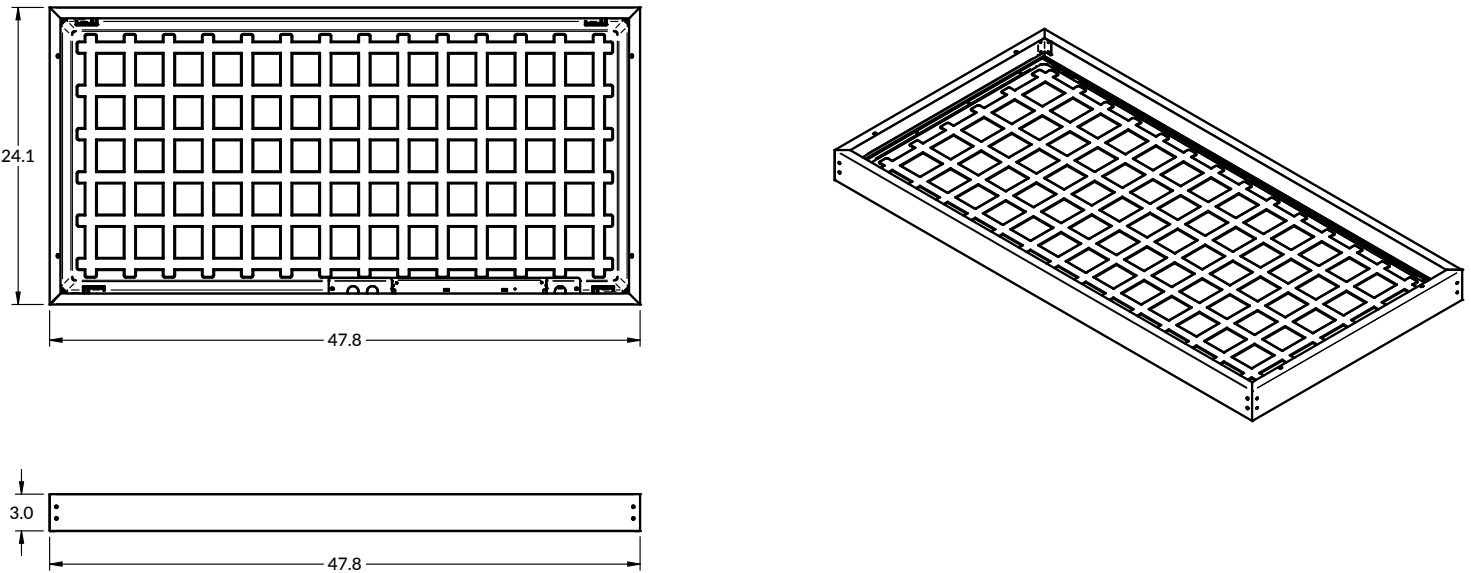


LINE DRAWINGS

2x2 Dimensions with SMSK Surface Mount Skirt Kit



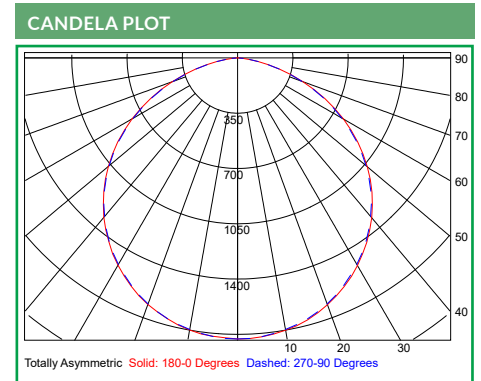
2x4 Dimensions with SMSK Surface Mount Skirt Kit



PHOTOMETRIC DATA

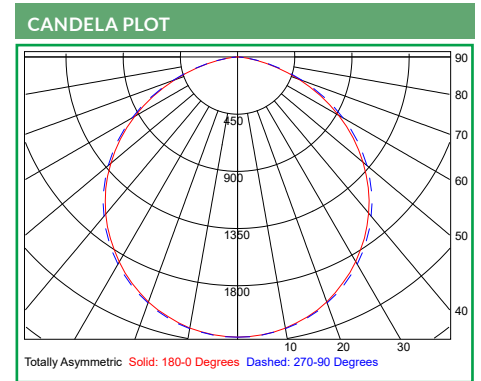
LUMINAIRE DATA	
Part Number	VPAN22-44L-U-40-ISL
Description	Selectable Flat Panel, 2x2, 4400lm, 4000K, Lens: ISL
Fixture Lumens (lm)	4,961 lm
Wattage (W)	37.6 W
Efficacy (lm/W)	131.977 lm/W
Mounting	Recessed

ZONAL LUMEN SUMMARY		
Zone	Lumens (lm)	% Fixture
0° - 40°	2,276	46%
0° - 60°	4,022	81%
0° - 90°	4,962	100%
90° - 180°	0	0%
0° - 180°	4,962	100%



LUMINAIRE DATA	
Part Number	VPAN24-55L-U-40-ISL
Description	Selectable Flat Panel, 2x2, 5500lm, 4000K, Lens: ISL
Fixture Lumens (lm)	6,100 lm
Wattage (W)	46.91 W
Efficacy (lm/W)	130.04 lm/W
Mounting	Recessed

ZONAL LUMEN SUMMARY		
Zone	Lumens (lm)	% Fixture
0° - 40°	2,814	46%
0° - 60°	4,960	81%
0° - 90°	6,101	100%
90° - 180°	0	0%
0° - 180°	6,101	100%



LUMINAIRE DATA	
Part Number	VPAN24-80L-U-40-ISL
Description	Selectable Flat Panel, 2x4, 8000lm, 4000K, Lens: ISL
Fixture Lumens (lm)	7,606 lm
Wattage (W)	55.73 W
Efficacy (lm/W)	136.48 lm/W
Mounting	Recessed

ZONAL LUMEN SUMMARY		
Zone	Lumens (lm)	% Fixture
0° - 40°	3,508	46%
0° - 60°	6,183	81%
0° - 90°	7,606	100%
90° - 180°	0	0%
0° - 180°	7,606	100%

