

Project Name:	Part Number:	Type:
---------------	--------------	-------

LARGE FLOOD - 85W LED

FLOODS 2.0



407-478-3759
www.ilp-inc.com

FEATURES

- Bronze die-cast aluminum housing
- Custom and factory select colors available (Contact factory for pricing)
- Diffused tempered glass lens
- Pole & tenon mounting options also available (3' cord & watertight bushing included)
- Hinged front frame w/ removable back cover for easy access to driver
- Watertight cord grip installed
- Standard yoke included
- 4000K CCT
- 0-10V Dimmable Driver
- Rated for outdoor use
- IP65 Rating
- 5 Year Warranty
- ETL Listed for Wet Location
- DesignLights Consortium® Premium Qualified Luminaire



complies with
RoHS



SUITABLE APPLICATIONS

- Parking Lots
- Buildings
- General Area Lighting
- Loading Docks

REPLACES
250W MH

LED SYSTEMS INFO

4000K

Calculated L ₇₀ (TM-21)	>100K
Delivered Lumens	10,240 lm
Total Input Watts	83 W
Luminaire Efficacy Rating (LER)	123 lm/W
Correlated Color Temperature (CCT)	4000K
Color Rendering Index (CRI)	>80
Ambient Temperature Range	-40°F - 115°F
Universal Driver	120-277 V

LED System data above based on FLL-85WLED-UNIV-40
LED Lumen Maintenance Estimates based on TM-21 projections for the light source at 25°C ambient.

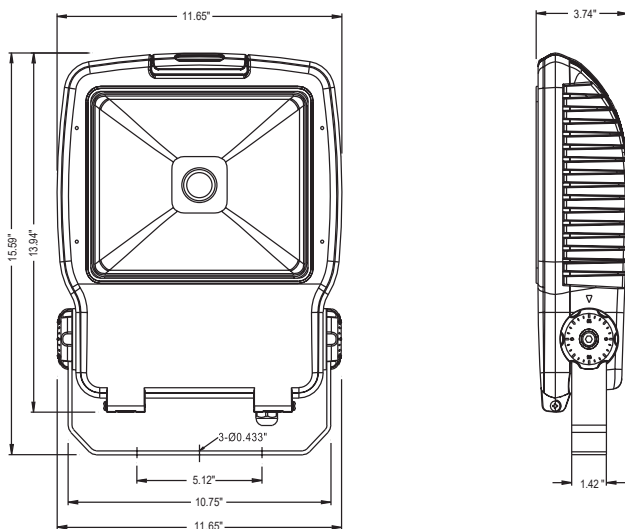
ORDERING GUIDE:

Series	Watts	Driver	Color	Description
FLL Large Flood	85WLED	UNIV 120-277V Driver	40	
				CORDW/x Wet Location Strain Relief Cord (x = ft)
				PC Photocell Universal Voltage (120-277V)
				SMLxxxx Specified Max Lumen Output (xxxx = lumen output)
				GS Glare Shield
				WG Wire Guard
				PMB Pole Mount Bracket (3' cord & bushing incl.)
				TMB Tenon Mount Bracket (3' cord & bushing incl.)
				SP1 10kA Max Univolt Surge Protector

LARGE FLOOD - 85W LED

FLOODS 2.0

LINE DRAWING



MOUNTING OPTIONS & ACCESSORIES

- **WG** - Wire Guard
- **GS** - Glare Shield
- **PMB** - Pole Mounting Bracket - includes 3ft cord and watertight bushing (EPA Rating: 2.31ft² vertically / 1.08ft² horizontally)
- **TMB** - Tenon Mounting Bracket -includes 3ft cord and watertight bushing (EPA Rating: 2.32ft² vertically / 1.09ft² horizontally)
- **YMK** - Standard yoke included - (EPA Rating: 2.23ft² vertically / 1.001ft² horizontally)



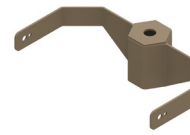
Wire Guard



GS

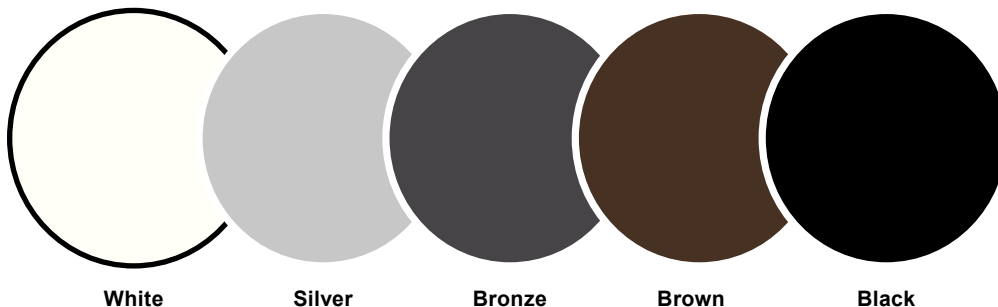


PMB



TMB

FACTORY SELECT COLOR GUIDE



COLOR NAME AND DESCRIPTION	SHEEN	PRODUCT	VENDOR	PRICING
WHT - ILP White	SEMI GLOSS	POLANE T	SHERWIN-WILLIAMS	Contact Factory for Pricing
SLV - ILP Silver - Ultrasonic Chrome	GLOSS	POLANE T	SHERWIN-WILLIAMS	Contact Factory for Pricing
BRZ - ILP Bronze - std. & in stock	SEMI GLOSS	POLANE T	SHERWIN-WILLIAMS	Standard
BRN - ILP Brown	SEMI GLOSS	POLANE T	SHERWIN-WILLIAMS	Contact Factory for Pricing
BLK - ILP Black	SEMI GLOSS	POLANE T	SHERWIN-WILLIAMS	Contact Factory for Pricing

**COLORS SHOWN ABOVE ARE TO BE USED AS REFERENCE, NOT EXACT MATCH.
PLEASE REQUEST PAINT CHIPS FOR EXACT MATCH.**

LARGE FLOOD - 85W LED

FLOODS 2.0

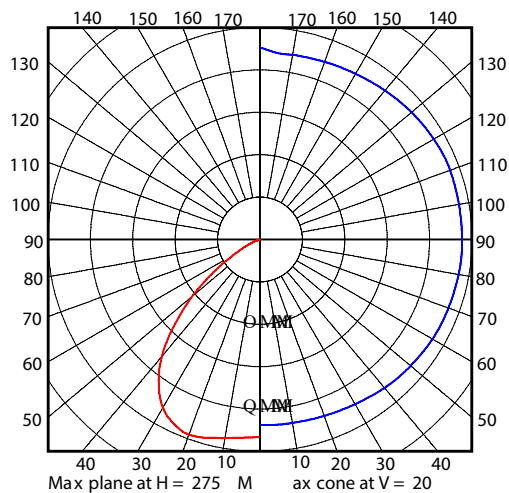
PHOTOMETRIC REPORT

FLL-85WLED-UNIV-40

SUMMARY DATA

HEMISPHERES TESTED:	BOTH
EFFICIENCY (Down / Up):	100.0 % / 0.0%
EFFICIENCY (Street / House):	50.1 % / 49.9 %
ROADWAY CLASSIFICATION	TYPE VS
CUTOFF CLASSIFICATION:	FULL CUTOFF
LUMENS:	10205.41
INPUT WATTS:	83.1

CANDELA PLOT



Photometric values based upon tests performed in compliance with LM-79.
IES files can be downloaded at www.ilp-inc.com