

Project Name:

Part Number:

Type:



407-478-3759
www.ilp-inc.com

FLTR

FLAT LENS TROFFER RETROFIT KIT

FEATURES

- Architectural Designed Flat Lensed Troffer
- One-piece Unit with Two Universal Mounting Brackets
- Average Install Time Less than 3 Minutes
- Lightweight Aluminum Matte White Finish Body
- Impact & Scratch Resistant PMMA Frosted Acrylic Lens
- Tamper Resistant Latch Option
- Advanced Wireless Controls Options
- 1x4, 2x2, 2x4 sizes
- 2,300 – 4,800 Delivered Lumens
- 3000K – 4000K CCT
- >80 Color Rendering Index (CRI)
- Calculated L70 >100,000 hrs
- 0–10V Dimmable Driver
- 120–277V Universal Voltage
- 5 Year Warranty
- ETL Listed for Damp Locations



SUITABLE APPLICATIONS

- Education
- Healthcare
- Multipurpose Rooms
- Hallways
- Office
- Conference Rooms

ORDERING GUIDE:

SERIES	WATTS	DRIVER	CCT	DOORFRAME LATCH
FLTR14 1x4 Flat Lens Troffer Retrofit Kit	19WLED	UNIV 120-277V	40	BLANK Standard Latch
	30WLED		35	TRL Tamper Resistant Latch
	45WLED		30	
FLTR22 2x2 Flat Lens Troffer Retrofit Kit	19WLED			
	30WLED			
	45WLED			
FLTR24 2x4 Flat Lens Troffer Retrofit Kit	26WLED			
	35WLED			
	45WLED			

OPTIONS		CONTROLS OPTIONS	
Factory Installed		Advanced	
POSTP	Post Painted Aluminum	ESMC ²	EasySense Sensor
SR	Sensor Ready Module	VDO ³	Lutron Vive DFCSJ-OEM-OCC (Daylight & Occupancy)
DR	DALI Ready Module	VRF ³	Lutron Vive DFCSJ-OEM-RF (RF Only)
BLD	Bi-Level Dimming Module (2 hot leads)		
EM5	5W LED Factory Installed Battery Backup		
EM5/HE	5W LED Factory Installed Battery Backup-CEC Title 20 Compliant		
EM7	7W LED Factory Installed Battery Backup		
EM7/HE	7W LED Factory Installed Battery Backup-CEC Title 20 Compliant		
EM10	10W LED Factory Installed Battery Backup		
EM10/HE	10W LED Factory Installed Battery Backup-CEC Title 20 Compliant		
EM12	12W LED Factory Installed Battery Backup		
SD347 ¹	347V Step Down Transformer		
SD480 ¹	480V Step Down Transformer		
Ship With Accessories			
ESMC/WWS/DR EasySense Dual Rocker Wireless Wall Switch			

¹Does not qualify for DLC

³Must be used with SR Driver

²Easily Controlled via Mobile Phone with Bluetooth App

FLAT LENS TROFFER RETROFIT KIT

LED SYSTEMS INFO ¹	3000K		3500K		4000K		Watts ²	Replaces
	Part Numbers	Lumens	LPW	Lumens	LPW	Lumens		
FLTR14-19WLED-UNIV-XX	2,254	119	2,287	122	2,319	124	19W	2T8
FLTR14-30WLED-UNIV-XX	3,461	115	3,511	117	3,561	119	30W	2T8
FLTR14-45WLED-UNIV-XX	4,867	109	4,937	111	5,018	112	45W	2T8
FLTR22-19WLED-UNIV-XX	2,180	115	2,199	117	2,217	118	19W	2T8
FLTR22-30WLED-UNIV-XX	3,328	111	3,357	112	3,385	113	30W	3T8
FLTR22-45WLED-UNIV-XX	4,663	105	4,695	106	4,735	107	45W	3T8
FLTR24-26WLED-UNIV-XX	3,038	118	3,141	122	3,244	126	26W	2T8
FLTR24-35WLED-UNIV-XX	3,945	113	4,081	117	4,217	121	35W	3T8
FLTR24-45WLED-UNIV-XX	4,794	108	4,956	111	4,972	110	45W	3T8

¹Values are nominal, see IES file for more detail

²Electrical data at 25C (77F). Actual wattage may differ by +/-10%.

SPECIFICATIONS

CONSTRUCTION

Lightweight aluminum white body for rigidity, durability & ease of installation. One-piece unit with two universal mounting brackets for quick and easy installation into grid and hard-lid ceilings. Optional paint after fabrication. Designed to achieve maximum performance and improved aesthetics.

ELECTRICAL

Class 2 LED light engine for high efficacy and long life. Calculated L70 > 100,000 hrs. LED Lumen Maintenance Estimates based on TM-21 projections for the light source at 25°C ambient. Power Factor > 0.90. Standard 120-277 Vac 0-10V dimmable (1%-100%) with optional 347-480 Vac step down transformer. Optional emergency battery backups available to meet critical life safety lighting requirements.

MOUNTING

One-piece door frame light engine with two universal mounting brackets for easy installation. Tamper resistant latch option provides additional security in applications where it is needed most. See page 4 for step-by-step troffer kit installation instructions.

WARRANTY

5 Year Warranty (Terms and Conditions apply)

OPTICS

Impact and Scratch resistant PMMA frosted acrylic lens. Optimized optical design provides soothing illumination and glare reduction for maximum visual comfort.

TROFFER COMPATIBILITY

Designed to fit into most existing parabolic and lensed troffers with a housing depth of 3 1/8" or greater. ILP recommends a test installation prior to ordering project quantities. Contact factory for additional troffer compatibility confirmation & custom size configuration options.

CONTROLS

Factory installed advanced sensor options available. Sensor mounts within the body of the fixture, see controls page for more detail (pg.3). Inquire with manufacturer for more controls options, including customer supplied items.

CERTIFICATIONS

ETL Listed to US & Canadian safety standards. Suitable for damp locations. Type IC rated. American Recovery & Reinvestment Act Funding Compliant. Title 24 Compliant with sensor options; see local ordinance for qualification information.

ADVANCED CONTROLS OPTIONS

EASYSENSE

ESMC

EasySense combines occupancy sensing, daylight harvesting and institutional tuning in one compact solution. This is an ideal control for any Commercial application. Each device allows you to turn on/off occupancy and/or daylight harvesting functions as well as set the full light output, background light level, occupancy prolong time, occupancy grace fading time, and occupancy time out/hold time. It can be easily controlled via the Phillips MasterConnect Bluetooth App on a mobile phone.



ESMC/WWS/DR

Optional Wireless / Batteryless Dual Rocker Wall Switch. Up to 100ft range. Functions include: On/Off, dimming and setting of (2) scenes for full room control.

Specifications:

- Wireless
- ZigBee®
- Batteryless
- 30-100ft Range
- Dual Rocker

Functions:

1. On (Hold to brighten up)
2. Off (Hold to dim down)
3. Scene 1
4. Scene 2



LUTRON

VDO

Vive DFCSJ-OEM-OCC integral fixture control sensor with daylight & occupancy. Vive provides intuitive programming allowing for maximum flexibility with wireless communication & sensing as desired. Provided with factory installed components only. Lutron system provided by others. Sensor must be used in conjunction with Pico Switch/Dimmer. Cannot be used in conjunction with mechanical on/off power switch. Contact factory for more information.



VRF

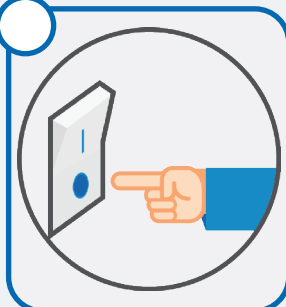
Vive DFCSJ-OEM-RF integral fixture control with Radio Frequency (RF) communication. Vive provides intuitive programming allowing for maximum flexibility with wireless communication as desired. Provided with factory installed components only. Lutron system provided by others. Sensor must be used in conjunction with Pico Switch/Dimmer. Cannot be used in conjunction with mechanical on/off power switch. Contact factory for more information.



FLTR

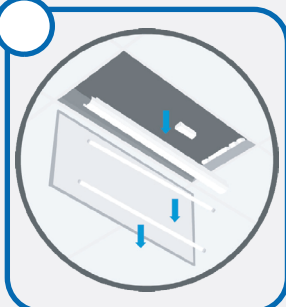
FLAT LENS TROFFER RETROFIT KIT

INSTALLATION INSTRUCTIONS



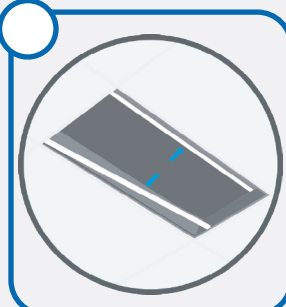
STEP 1

Shut off or disconnect power to the fixture.



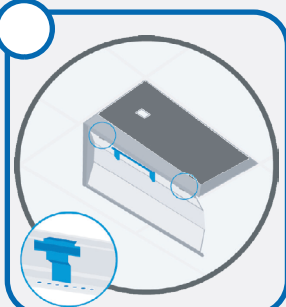
STEP 2

Remove existing fluorescent lamps and components, then disconnect existing connections to the fluorescent ballast.



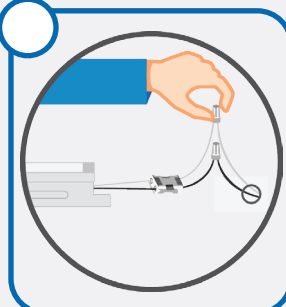
STEP 3

Gently lift the original housing and insert the brackets between the housing and the T-grid. Allow the housing to rest on the brackets, securing them in place. Optional tether included on the mounting brackets to secure the kit to the housing.



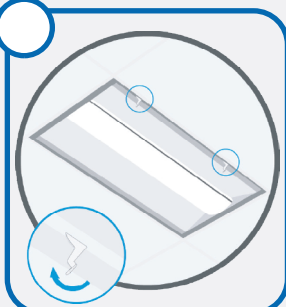
STEP 4

Hang the FLTR body by hooking the T-hinges into the respective slots in the bracket.



STEP 5

Connect the FLTR to AC power and ground.



STEP 6

Rotate the FLTR body up into the fixture and close the latches. Fasten provided tamper proof screw into latch hole if TRL (Tamper Resistant Latch) option is ordered. Turn on or reconnect power to the fixture to complete the installation.

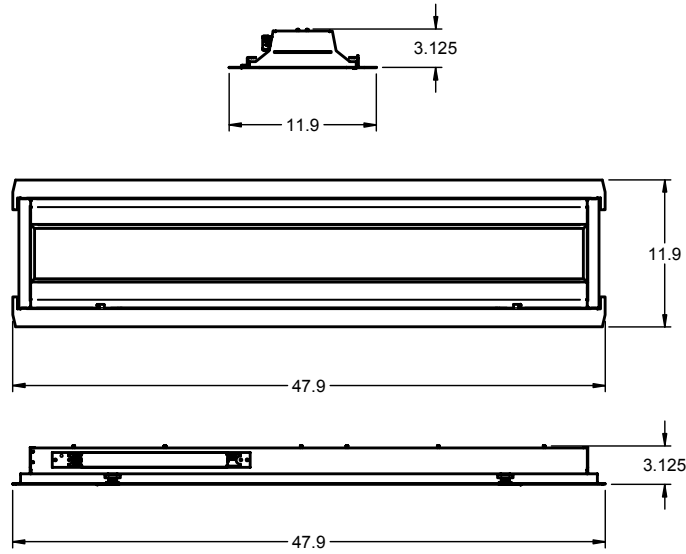
ILP recommends a test installation prior to ordering project quantities.

FLTR

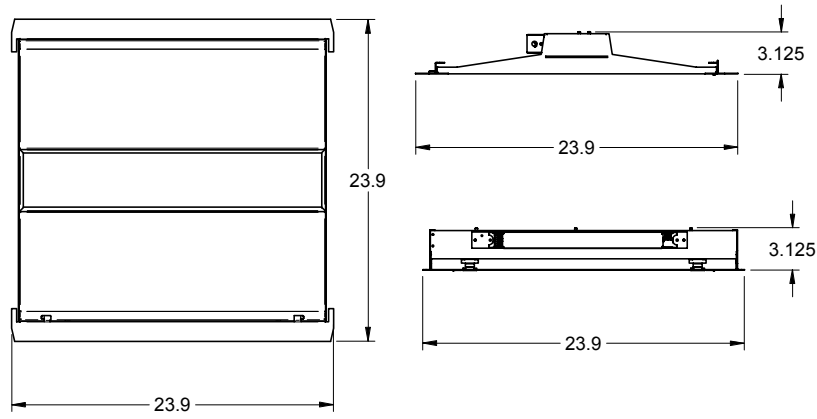
FLAT LENS TROFFER RETROFIT KIT

LINE DRAWINGS

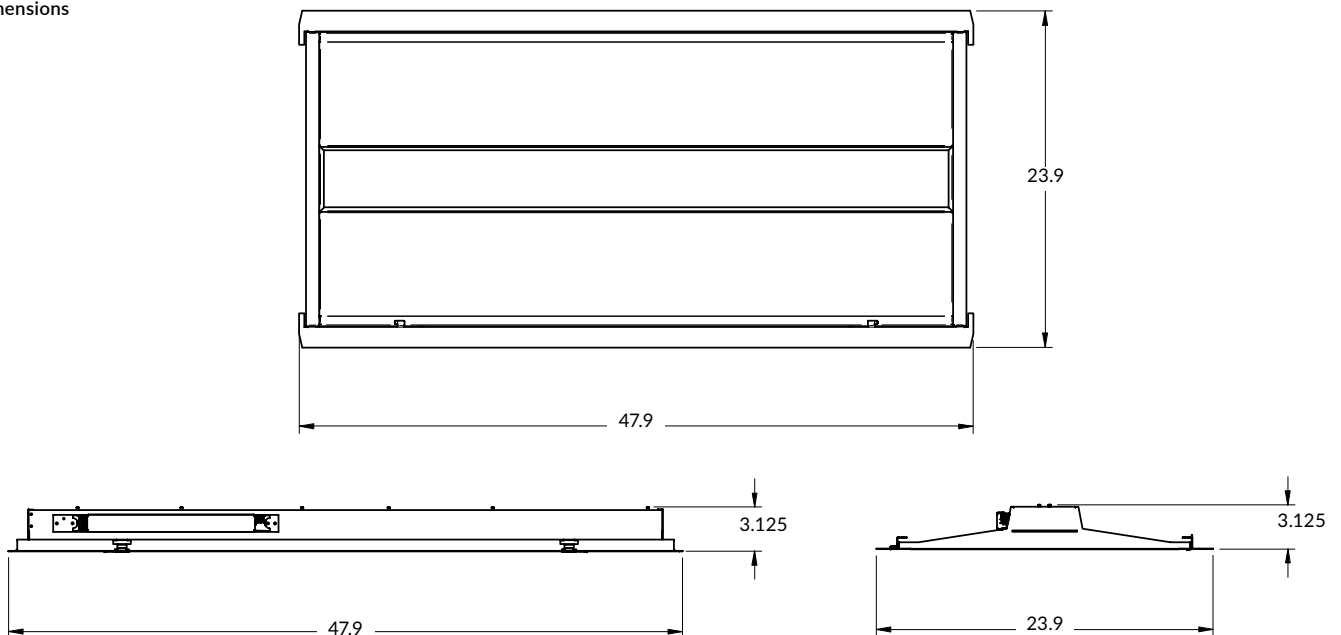
1x4 Dimensions



2x2 Dimensions



2x4 Dimensions



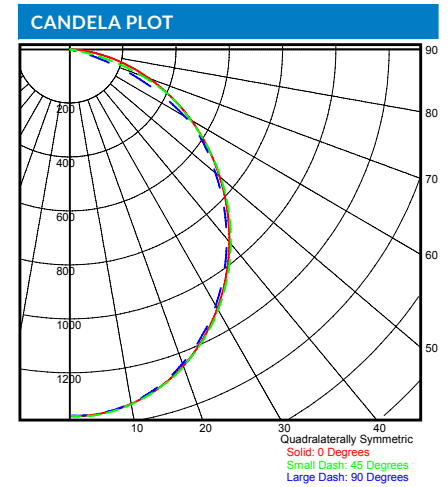
FLTR

FLAT LENS TROFFER RETROFIT KIT

PHOTOMETRIC REPORTS

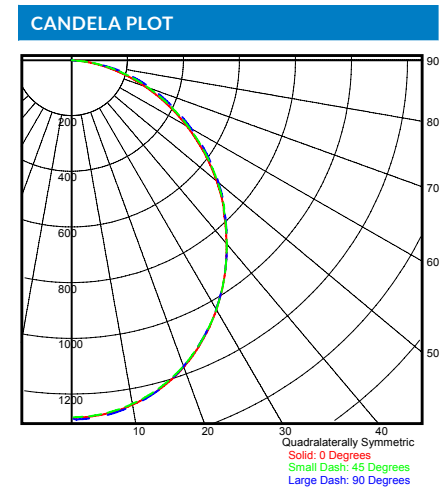
LUMINAIRE DATA	
Part Number	FLT14-30WLED-UNIV-40
Description	1' x 4' Flat Lens Troffer Retrofit Kit with flat frosted acrylic lens, 3,500 lumens,
Fixture Lumens (lm)	3,561 lm
Wattage (W)	30 W
Efficacy (lm/W)	119 lm/W
Mounting	Recessed
Spacing Criteria	0° = 1.22, 90° = 1.20

ZONAL LUMEN SUMMARY		
Zone	Lumens (lm)	% Fixture
0° - 40°	1,688	48%
0° - 60°	2,903	83%
0° - 90°	3,561	100%
90° - 180°	0	0%
0° - 180°	3,561	100%



LUMINAIRE DATA	
Part Number	FLT22-30WLED-UNIV-40
Description	2' x 2' Flat Lens Troffer Retrofit Kit with flat frosted acrylic lens, 3,400 lumens,
Fixture Lumens (lm)	3,385 lm
Wattage (W)	30 W
Efficacy (lm/W)	119 lm/W
Mounting	Recessed
Spacing Criteria	0° = 1.20, 90° = 1.20

ZONAL LUMEN SUMMARY		
Zone	Lumens (lm)	% Fixture
0° - 40°	1,574	47%
0° - 60°	2,698	81%
0° - 90°	3,385	100%
90° - 180°	0	0%
0° - 180°	3,385	100%



LUMINAIRE DATA	
Part Number	FLT24-35WLED-UNIV-40
Description	2' x 4' Flat Lens Troffer Retrofit Kit with flat frosted acrylic lens, 4,200 lumens,
Fixture Lumens (lm)	4,217 lm
Wattage (W)	35 W
Efficacy (lm/W)	120 lm/W
Mounting	Recessed
Spacing Criteria	0° = 1.21, 90° = 1.21

ZONAL LUMEN SUMMARY		
Zone	Lumens (lm)	% Fixture
0° - 40°	1,896	47%
0° - 60°	3,263	80%
0° - 90°	4,217	100%
90° - 180°	0	0%
0° - 180°	4,217	100%

