



OW SERIES
WALL PACK
OWM/OWL

PRODUCT
OVERVIEW



SCAN OR
CLICK HERE

FEATURES

- Delivers consistent and broad illumination with a non cutoff Type IV distribution, perfect for wall-mounted applications.
- Withstands harsh environments with an IP65-rated die cast aluminum housing and impact-resistant prismatic glass lens.
- Simplifies installation with multiple conduit entry points and compatibility with standard junction boxes for quick setup.
- Supports advanced control options, including Bluetooth programmable PIR sensors, daylight harvesting, and bi-level dimming.
- Offers reliable, long-lasting performance with high efficiency LEDs, thermal management, and durable construction designed for challenging conditions.
- Provides adaptable lighting solutions with customizable finishes and optional accessories to meet aesthetic and functional needs.

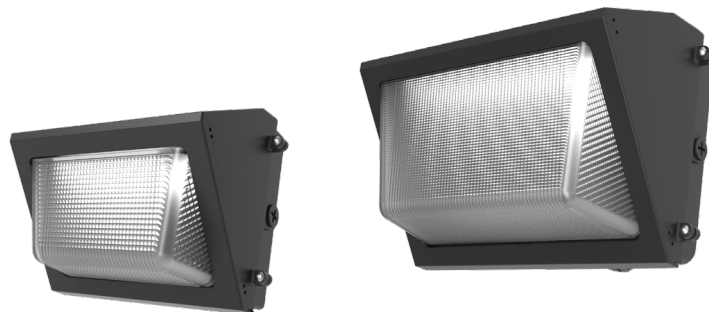
DIGITAL NAVIGATION

Explore the spec sheet through the links below

[ORDERING GUIDE](#)
[CONTROLS](#)

[QUICK SHIP](#)
[LINE DRAWINGS](#)

[LED SYSTEMS TABLE](#)
[PHOTOMETRIC DATA](#)



SUITABLE APPLICATIONS

- Pedestrian Walkways
- Building Entrances
- Multi-use Facilities
- Industrial Facilities
- Parking Lots
- Storage Facilities
- Institutions
- Schools
- Loading Docks

SPECIFICATIONS

CONSTRUCTION

The OW Series Wall Packs feature a rugged die-cast aluminum housing available in 3 different sizes for a fully scalable solution. The fully gasketed housing is IP65 rated for whole luminaire ingress protection against moisture and environmental contaminants. The OW Series is protected with a durable bronze polyester powder coat finish to withstand extreme weather changes without cracking or peeling (Consult factory for availability of alternate finishes). Salt Spray tested for 500 hrs.

ELECTRICAL

Class 1 High-performance drivers features over-voltage, under-voltage, short circuit and over temperature protection. 0-10V dimming (10% - 100%) standard. Standard Universal Voltage (120-277 Vac) Input 50/60 Hz or optional High Voltage (277-480 Vac). L70 >100,000 hrs. in accordance with IESNA TM-21-19 projected values at 25°C Ambient temperature. Total harmonic distortion: <20%. Power factor: >0.90. Input power stays constant over life. Minimum 6kV surge rating meets a minimum Category C Low operation (per ANSI/IEEE C62.41.2). Additional protection is available in 10kV and 20kV options. Battery backup & cold weather battery options provide 90 minutes of constant power to the LED system, ensuring code compliance.

INSTALLATION

The OW Series Wall Pack is designed for effortless installation to standard 3 1/2" to 4" round/octagonal, 4" square, single gang, masonry junction boxes or vertical surface mounting (secured by lag bolts (supplied by others)). 1/2" NPT conduit entry points allow for surface-conduit or thru-branch wiring. Back box is an authorized electrical wiring compartment. Integral CCT selector allows for CCT tuning at time of installation.

OPTICS

The isolated IP65 rated silicone gasket sealed optical chamber utilizes a tempered borosilicate prismatic glass lens to provide exceptional coverage in a T4 forward throw distribution. CCT selectable via an integral CCT selector switch (3000K, 4000K, & 5000K). Minimum CRI of 70. Optional Hood/Glare shield for semi-cutoff Type 4 distribution.

THERMAL

The OW Series features an array of High-efficacy mid-power LED's mounted on a metal core circuit board. The LED boards are mounted directly to the cast aluminum housing with heat dissipating fins to provide excellent thermal performance extending the life of electronic components. Operating Ambient Temperature: -40°C to +45°C (-40°F to 113°F). Operating temperature for standard battery backup: 0°C to +45°C (+32°F to +113°F), EMCT10: -20°C to +45°C; EMCT8: -30°C to +40°C; EMCT6: -40°C to +35°C.

CONTROLS

Three 1/2" NPT apertures allow for field or factory installed 120-277V universal electronic photocell. Optional PIR sensors available installed separate mounting box below the luminaire. Sensors provide optional on/off control, photocell capability, bi-level dimming, high-end trim, and bluetooth configuration allows for on-site modifications. See page 4 for more details.

CERTIFICATIONS

ETL Listed for wet locations. Tested in accordance with IESNA LM-79 and LM-80 standards. RoHS Compliant. IP65 rated Luminaire per IEC 60598. IP65 rated optical chamber. DesignLights Consortium® (DLC) Premium qualified product. Not all versions of this product may be DLC Premium qualified. Please check the DLC Qualified Products List at www.designlights.org/QPL to confirm which versions are qualified.

WARRANTY

5 Year Warranty Standard; 10 Year Warranty Optional ([Terms and Conditions apply](#)).



ORDERING GUIDE

PART #

Example: OWM-5L-U-CCTS-BRZ-EM10-NURO-SP1-10YR

SERIES	LUMENS	INPUT VOLTAGE	CCT	FINISH	EMERGENCY
OWM	3L/5L - Lumen Selectable 3L 3,000 lm 5L 5,000 lm	U 120-277V HV 277-480V	CCTS Selectable CCT (3000K, 4000K, 5000K)	BRZ Bronze BLK⁴ Black WHT⁴ White SLV⁴ Silver	BLANK None EM5^{2,3} 5W 120-277V Battery backup (32°F) EM10^{2,3} 10W 120-277V High Efficacy CEC Title 20 Battery Backup (32°F) EMCT6^{2,3,6} 6W Cold Temp Battery Backup -40°F (-40°C) - CEC Title 20 Compliant EMCT8^{2,3,6} 8W Cold Temp Battery Backup -22°F (-30°C) - CEC Title 20 Compliant EMCT10^{2,3} 10W Cold Temp Battery Backup -4°F (-20°C) - CEC Title 20 Compliant
OWL	5L/8L/10L - Lumen Selectable 5L 5,000 lm 8L 8,000 lm 10L 10,000 lm 10L/13L/16L - Lumen Selectable 10L 10,000 lm 13L 13,000 lm 16L 16,000 lm				

CONTROLS OPTIONS		PROTECTION	WARRANTY
BASIC	ADVANCED		
BLANK None FSP311/Lx^{3,5} Legrand FSP-311 120/277V Sensor (X = Mounting Height 3=10-20', 7=20-40') FSP321/Lx⁵ Legrand FSP-321 120-480V Sensor (X = Mounting Height 3=10-20', 7=20-40')	BLANK None NURO NUROAir Plug n Play Bluetooth Groupable Sensor	BLANK 6kV Standard 120-277V Surge Protection FUSE/SXXX Fuse - Single-line Voltage (120, 277 or 347) FUSE/DXXX Fuse - Dual-line Voltage (208V, 240V or 480V) SP1^{2,3} 10KA Max 120-277V Surge Protector SP2^{2,3} 20KA Max 120-277V Surge Protector SP1HV 10kA Max 480V Surge Protector SP480V2 20kA Max 480V Surge Protector	BLANK 5 Year 10YR¹ 10 Year

SHIP WITH ACCESSORIES	
BLANK None OWM GS xxx OWM Glare Shield (xxx = finish) OWL GS xxx OWL Glare Shield (xxx = finish) +PCU⁴ Electronic UNIV Photocell (120-277V)	

FOOTNOTES

- ¹ Requires additional surge protection (SP1,SP2, SP480V2); For additional details see general terms and conditions
- ² SP1/SP2 specified in combination with Battery Backups, separate surge protectors are required per electrical line
- ³ Not Available with HV Drivers
- ⁴ Contact factory for pricing and availability
- ⁵ Requires Bluetooth Enabled device for programming (provided by others)
- ⁶ Not available in OWM model



QUICK SHIP ITEMS

PRODUCT	DESCRIPTION	DLC LISTING
OWM-3L/5L-U-CCTS-BRZ	Medium Open Face Wallpack, 3,000-5,000 Lumens, CCT Selectable, Bronze Finish	Premium
OWM-3L/5L-U-CCTS-BRZ-EM10	Medium Open Face Wallpack, 3,000-5,000 Lumens, CCT Selectable, Bronze Finish, 10W CEC Emergency	Premium
OWL-5L/8L/10L-U-CCTS-BRZ	Large Open Face Wallpack, 5,000-8,000-10,000 Lumens, CCT Selectable, Bronze Finish	Premium
OWL-5L/8L/10L-U-CCTS-BRZ-EM10	Large Open Face Wallpack, 5,000-8,000-10,000 Lumens, CCT Select, Bronze, 10W CEC Emergency	Premium
OWL-10L/13L/16L-U-CCTS-BRZ	Large Open Face Wallpack, 10,000-13,000-16,000 Lumens, CCT Selectable, Bronze Finish	Premium

QUICK SHIP ACCESSORIES

BLANK	None
OWM GS xxx	OWM Glare Shield (xxx = finish)
OWL GS xxx	OWL Glare Shield (xxx = finish)
+PCU ⁴	Electronic UNIV Photocell (120-277V)

FOOTNOTES

¹ Requires additional surge protection (SP1,SP2, SP480V2); For additional details see general terms and conditions

² SP1/SP2 specified in combination with Battery Backups, separate surge protectors are required per electrical line

³ Not Available with HV Drivers

⁴ Contact factory for pricing and availability

⁵ Requires Bluetooth Enabled device for programming (provided by others)

⁶ Not available in OWM model

LED SYSTEMS INFO ^{1,3}	3000K			4000K			5000K			WATTS ²	REPLACES
	Part Numbers	Lumens	Efficacy	Bug Rating	Lumens	Efficacy	Bug Rating	Lumens	Efficacy		
OWM-3L/5L-U-CCTS	5202 lm	131 lm/W	B1-U3-G3	5294 lm	137 lm/W	B1-U3-G3	5237 lm	135 lm/W	B1-U3-G3	40 W	175W MH
OWM-3L-U-CCTS	3678 lm	132 lm/W	B1-U3-G2	3720 lm	136 lm/W	B1-U3-G2	3727 lm	132 lm/W	B1-U3-G2	28 W	75W MH
OWM-5L-U-CCTS	5202 lm	131 lm/W	B1-U3-G3	5294 lm	137 lm/W	B1-U3-G3	5237 lm	135 lm/W	B1-U3-G3	40 W	175W MH
OWL-5L/8L/10L-U-CCTS	10536 lm	131 lm/W	B2-U4-G4	10915 lm	137 lm/W	B2-U4-G4	10676 lm	134 lm/W	B2-U4-G4	80 W	320W MH
OWL-5L-U-CCTS	5320 lm	143 lm/W	B1-U3-G3	5442 lm	148 lm/W	B1-U3-G3	5500 lm	146 lm/W	B1-U3-G3	38 W	175W MH
OWL-8L-U-CCTS	7827 lm	140 lm/W	B2-U3-G3	8018 lm	146 lm/W	B2-U3-G3	8012 lm	141 lm/W	B2-U3-G3	57 W	250W MH
OWL-10L-U-CCTS	10536 lm	131 lm/W	B2-U4-G4	10915 lm	137 lm/W	B2-U4-G4	10676 lm	134 lm/W	B2-U4-G4	80 W	320W MH
OWL-10L/13L/16L-U-CCTS	15653 lm	132 lm/W	B3-U4-G5	16033 lm	137 lm/W	B3-U4-G5	15881 lm	134 lm/W	B3-U4-G5	119 W	400W MH
OWL-10L-U-CCTS	11282 lm	142 lm/W	B2-U4-G4	11428 lm	147 lm/W	B2-U4-G4	11538 lm	143 lm/W	B2-U4-G4	81 W	320W MH
OWL-13L-U-CCTS	13805 lm	138 lm/W	B3-U4-G5	14090 lm	144 lm/W	B3-U4-G5	14058 lm	138 lm/W	B3-U4-G5	102 W	360W MH
OWL-16L-U-CCTS	15653 lm	132 lm/W	B3-U4-G5	16033 lm	137 lm/W	B3-U4-G5	15881 lm	134 lm/W	B3-U4-G5	119 W	400W MH

¹ LED Chips are frequently updated therefore values are nominal

² Electrical data at 25C (77F). Actual wattage may differ by +/-10%

ELECTRICAL DATA (AMPS)

Lumen Package	Wattage	120V	208V	240V	277V	357V	480V
4L	29 W	0.23	0.13	0.11	0.10	0.08	0.06
5L	39 W	0.32	0.19	0.16	0.14	0.11	0.08
5L	37 W	0.31	0.18	0.15	0.13	0.10	0.08
8L	55 W	0.46	0.26	0.23	0.20	0.15	0.11
10L	80 W	0.66	0.38	0.33	0.29	0.22	0.17
10L	78 W	0.65	0.37	0.32	0.28	0.22	0.16
13L	98 W	0.82	0.47	0.41	0.35	0.27	0.20
16L	117 W	0.98	0.56	0.49	0.42	0.33	0.24

¹ Electrical data at 25C (77F). Actual wattage may differ by +/-10%.



CONTROLS OPTIONS

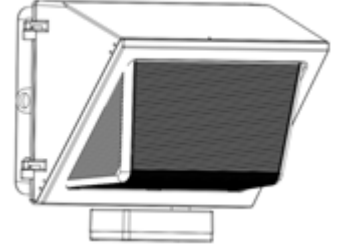
BASIC

FSP311/Lx or FSP321/Lx

Optional Bluetooth Programmable PIR sensor allows for Continuous Dimming, Motion and/ or daylight harvesting, Fully adjustable high/low dimmed light levels, and Adjustable time delay/ cutoff delay. The sensor is programmed via a free iOS® or Android® Sensor Configuration App (compatible device provided by others). See coverage patterns below, L7=20'-40', L3=8-20', L2= 8'.

Default Settings:

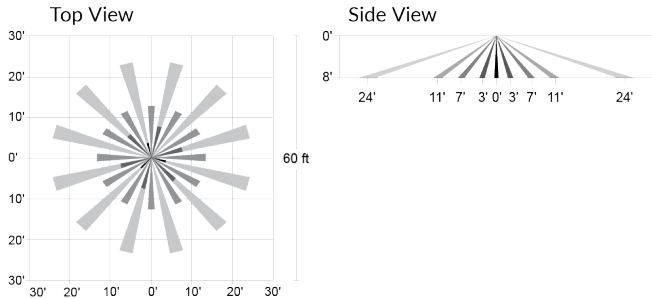
- High Mode: 100% Output
- Low Mode: 10% Output
- Time Delay: 5 mins
- Cutoff: 1 hr
- Sensitivity: High
- Photocell: Disabled
- Continuous Dimming: Disabled"



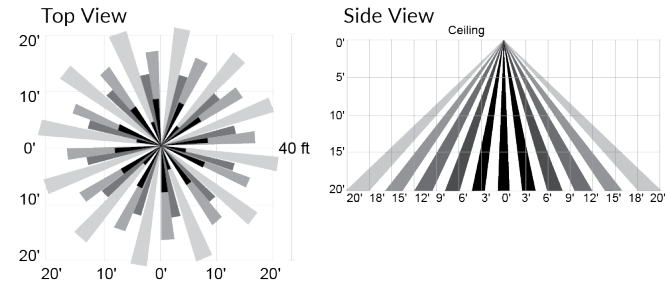
FSP311/Lx

COVERAGE PATTERNS

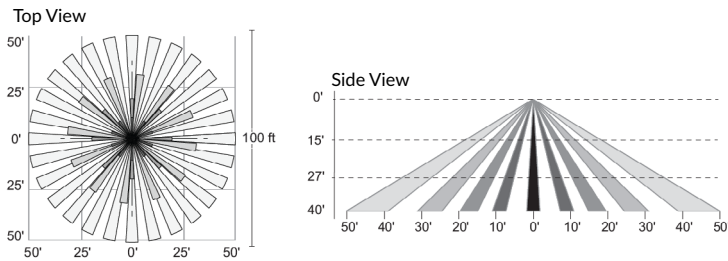
FSP311/L2 or FSP321/L2



FSP311/L3 or FSP321/L3



FSP311/L7 or FSP321/L7



ADVANCED

NUROAir by ILLUMUS

NURO

NUROAir Plug n Play Bluetooth Sensor is the optimal groupable controls lighting solution. With main features such as Plug and Play, PIR Motion Sensing, Occupancy/Vacancy and Photocell (BLK) - this flexibility makes the NUROAir Plug n Play Sensor ideal for tailoring lighting to specific space needs, optimizing both ambiance and efficiency. The NUROAir App, available for download on iOS and Google Play Store, offers a user-friendly interface for automatic or manual customization of your space. Through the app, users can configure sensor settings such as the Light Output, CCT, Hold Time, Standby Time/Level, High/Low End Trim, Background Light Level, Set Schedules, and Control Lighting Groups or Zones, all from a mobile or tablet device. Manual control is also available with a range of compatible wireless & wired wall switch options.



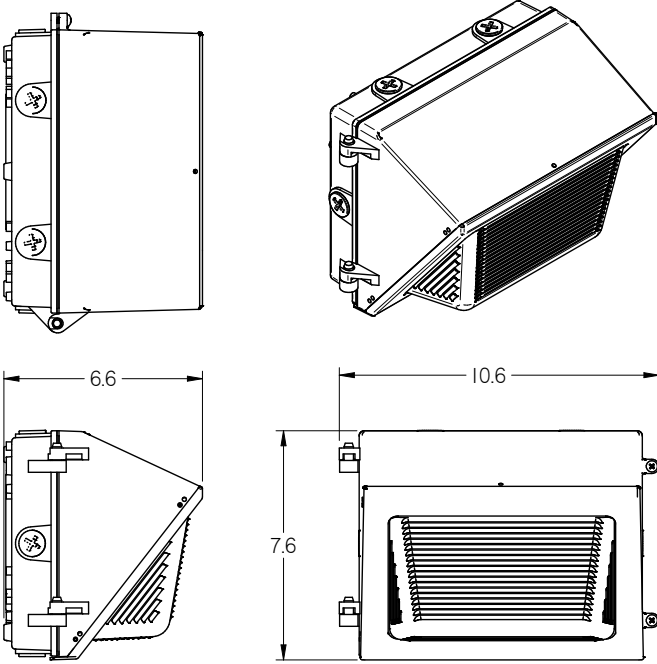
Click Here or Scan Code
to Learn More About

NUROAir Bluetooth Controls

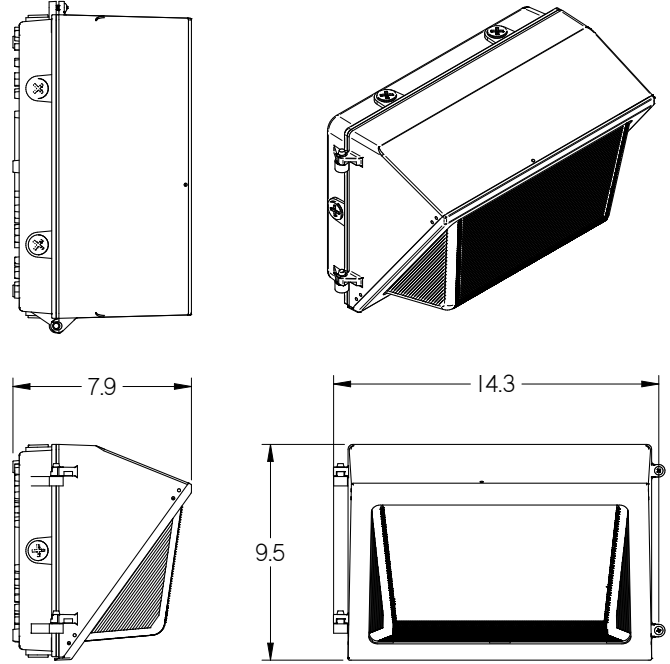


LINE DRAWINGS

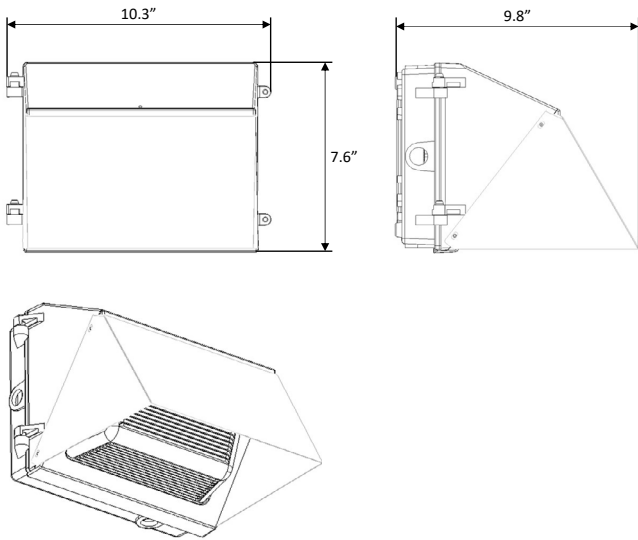
OWM



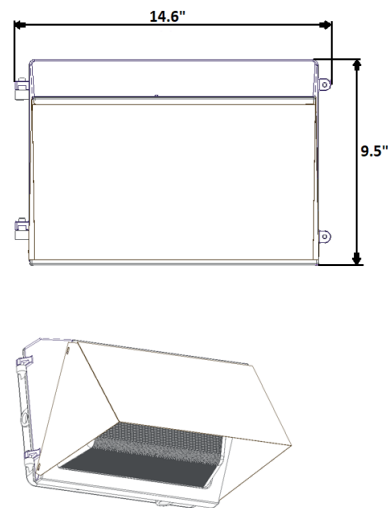
OWL



OWM GS xxx



OWL GS xxx





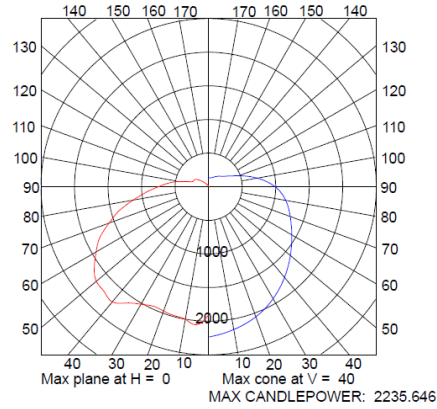
PHOTOMETRIC DATA

OWL-3L5L-U-CCTS-BRZ

SUMMARY DATA

HEMISPHERES TESTED:	BOTH
EFFICIENCY (Total):	100%
EFFICIENCY (Down / Up):	91.7 % / 8.3 %
EFFICIENCY (Street / House):	84.4 % / 15.6 %
ROADWAY CLASSIFICATION:	TYPE IV, VERY SHORT
CUTOFF CLASSIFICATION:	NONCUTOFF
LUMENS/LAMPS:	5230.86
NO. OF LAMPS:	1
Width:	0.00 (Meters)
Length:	0.00
Height:	0.00
INPUT WATTS:	39.748

CANDELA PLOT



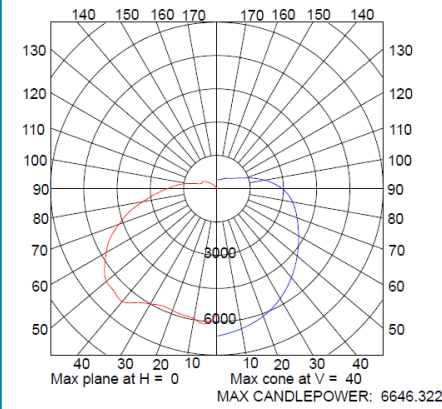
Photometric values based upon tests performed in compliance w/ LM-79. Download IES files at www.ilp-inc.com

OWL-10L13L16L-U-CCTS-BRZ

SUMMARY DATA

HEMISPHERES TESTED:	BOTH
EFFICIENCY (Total):	100%
EFFICIENCY (Down / Up):	91.7 % / 8.3 %
EFFICIENCY (Street / House):	84.4 % / 15.6 %
ROADWAY CLASSIFICATION:	TYPE IV, VERY SHORT
CUTOFF CLASSIFICATION:	NONCUTOFF
LUMENS/LAMPS:	15546.79
NO. OF LAMPS:	1
Width:	0.00 (Meters)
Length:	0.00
Height:	0.00
INPUT WATTS:	118.62

CANDELA PLOT



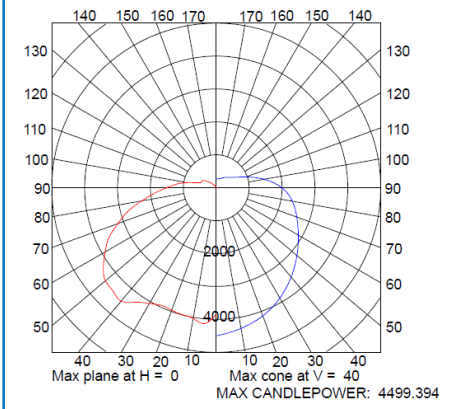
Photometric values based upon tests performed in compliance w/ LM-79. Download IES files at www.ilp-inc.com

OWL-5L8L10L-U-CCTS-BRZ

SUMMARY DATA

HEMISPHERES TESTED:	BOTH
EFFICIENCY (Total):	100%
EFFICIENCY (Down / Up):	91.7 % / 8.3 %
EFFICIENCY (Street / House):	84.4 % / 15.6 %
ROADWAY CLASSIFICATION:	TYPE IV, VERY SHORT
CUTOFF CLASSIFICATION:	NONCUTOFF
LUMENS/LAMPS:	10527.47
NO. OF LAMPS:	1
Width:	0.00 (Meters)
Length:	0.00
Height:	0.00
INPUT WATTS:	80.16

CANDELA PLOT



Photometric values based upon tests performed in compliance w/ LM-79. Download IES files at www.ilp-inc.com