



RB5
ROUND HIGH BAY

PRODUCT
OVERVIEW



SCAN OR
CLICK HERE

FEATURES

- Offers fully customizable light output with built-in CCT selection (3500K, 4000K, 5000K) and a broad range of lens and reflector options – including frosted acrylic diffusers and aluminum reflectors – to match any visual or performance requirement.
- Enhance visual comfort with frosted lenses or frosted diffusers for glare reduction.
- Withstands harsh environments with IP65-rated, IK10 impact-resistant construction and durable powder coat finish.
- Ensures energy efficiency and compatibility with 0-10V dimming, universal voltage (120-277V), and high voltage options (277-480V).
- Simplifies installation with versatile mounting options, including hook, pendant, surface, and cable mounts.
- Provides reliable performance with advanced thermal management, surge protection, and Title 20-compliant emergency options.

DIGITAL NAVIGATION

Explore the spec sheet through the links below

[ORDERING GUIDE](#)

[QUICK SHIP](#)

[LED SYSTEMS TABLE](#)

[AMBIENT TEMP. RANGE](#)

[CONTROLS](#)

[OPTIONS](#)

[LINE DRAWINGS](#)

[SHIPPING INFO](#)



SUITABLE APPLICATIONS

- Education
- Fitness Centers
- Food Processing
- Distribution Centers
- Wet Locations
- Grocery
- Gymnasiums
- Manufacturing Plants
- Warehouses

CERTIFICATIONS



SPECIFICATIONS

CONSTRUCTION

The RB5 High Bay features a cold forged die-cast aluminum housing available in 2 different sizes for a fully scalable solution. The fully gasketed housing is IP65 rated for whole luminaire ingress protection against moisture and environmental contaminants. The RB5 is protected with a durable White or Black polyester powder coat finish to withstand extreme weather changes without cracking or peeling. Salt Spray tested for 500 hrs.

ELECTRICAL

Class 1 High-performance drivers features over-voltage, under-voltage, short circuit and over temperature protection. 0-10V dimming (10% - 100%). Standard Universal Voltage (120/277 Vac) Input 50/60 Hz or optional High Voltage (277-480 Vac). L70 >100,000 hrs. in accordance with IESNA TM-21-19 projected values at 25°C Ambient temperature. Total harmonic distortion: <20%. Power factor: >0.90. Input power stays constant over life. Minimum 6kV surge rating meets a minimum Category C Low operation (per ANSI/IEEE C62.41.2). Battery backup provides 90 minutes of constant power to the LED system, ensuring code compliance. All EM options are UL924 listed, Self Diagnostic, and Title 20 Compliant. 6ft 3-Wire Power Cord & 3ft 2-wire 0-10V Dimming cord are included with alternate lengths and plugs available. Cords match paint finish.

INSTALLATION

Options include hook (std), suspension aircraft cables (HB5/HB10), 1/2" single pendant (Requires PEN (3/4") or FMB (Recommend PEN as alternate for general pendant Mount; FMB for Flex conduit wiring) options option or power cables will run outside pendant conduit, **MUST ORDER WITH CORD LONG ENOUGH FOR PENDANT LENGTH**), and surface mount (SMB). Safety hook with 2' galvanized safety cable standard.

OPTICS

All models come standard in 5000K, 4000K, and 3500K field selectable color temperatures per ANSI C78.377. Minimum CRI of 80. Provided standard with an IK10 impact rated primary clear polycarbonate lens. Optional frosted polycarbonate lens available for added LED glare reduction. Optional 16" or 22" frosted acrylic diffusers & 16" or 22" aluminum reflector available. 16" or 22" frosted conical lens options for added diffusion.

THERMAL

The RB5 features an array of High-efficacy LED's mounted on a metal core circuit board. The LED boards are mounted directly to the cast aluminum housing with heat dissipating fins to provide excellent thermal performance extending the life of electronic components. See ambient temperature table for more information.

CONTROLS

Optional center mounted field installable sensors provide a clean appearance and ensure a balanced fixture. Sensor Plug & Plays via 3.5MM jack and is programmable. For more information see controls section.

CERTIFICATIONS

ETL Listed for wet locations. Tested in accordance with IESNA LM-79 and LM-80 standards. RoHS Compliant. Title 24 Compliant; see local ordinance for qualification information. IP65 rated Luminaire per IEC 60598. ASTM B117 Salt Spray Tested 500 Hrs. NSF Rated. IK10 Impact Rating (Primary lens).

WARRANTY

5 Year Warranty Standard; 10 Year Warranty Optional ([Terms and Conditions apply](#)).



RB5

ROUND HIGH BAY

ORDERING GUIDE

*Footnotes on page 3

PART #

Example: RB5S-18L-U-CCTS-PFL-WHT-NSF-EM/W-C10/6W

SERIES	LUMENS	DRIVER	CCT	LENS	FINISH	CERTIFICATIONS
RB5S Small Round High Bay	9L/12L/15L 12L 12,000 lm 9L 9,000 lm 15L/18L/22L 18L 18,000 lm 15L 15,000 lm	U 120-277V HV 20 277-480V	CCTS 3500K, 4000K, 5000K	PCL Polycarbonate Clear Lens PFL Polycarbonate Frosted Lens	WHT White BLK Black	BLANK Standard NSF NSF Rated
RB5L Large Round High Bay	26L/30L/36L 30L 30,000 lm 26L 26,000 lm					

EMERGENCY	MOUNTING	CORD ¹⁸	WARRANTY
BLANK None EM/D 1, 4, 8, 15, 17 30W integral CEC title 20 self diagnostic Battery Backup Damp Location EM/W 2, 4, 8, 17 30W integral CEC title 20 self diagnostic Battery Backup Wet Location	BLANK None FMB 1, 13, 15, 17 Fixture Junction Box	BLANK Standard fixtures: 6ft 3-Wire Power Cord & 3ft 2-Wire 0-10V Dimming cord; Combined with EM or FMB options: 6ft Single 4-Wire Cord; Cord matches finish Cx/4W 17, 21 4-Wire Power Cord; Cord matches finish (xFT = Length; x=10,15,20) Cx/5W 3-Wire Power Cord & 2-Wire 0-10V Dimming cord; Cord matches finish (xFT = Length of both cords; x=6,10,15,20) Cx/6W 17, 21 6-Wire Power Cord; Cord matches finish (xFT = Length of both cords; x=6,10,15,20)	BLANK 5 Year 10YR 10 Year

ACCESSORIES	
BLANK	None
+UHBS 5, 12, 15	User Selectable Universal Microwave High Bay Sensor for 3.5mm Jack
+UHBS-3.5MM-KIT 5, 12, 15	User Selectable Universal PIR High Bay Sensor for 3.5mm Jack
+NURO6-WHT-V1 12, 15, 16	NUROAir Plug n Play Bluetooth Groupable Sensor
+RB5-EM40/WHT 2, 7, 14	40W EM Inverter with integral j-box, Remote, Test Button, Cords, Connectors, Hook, Ring, & Safety Cable, white cord
+RB5-EM40/BLK 2, 7, 14	40W EM Inverter with integral j-box, Remote, Test Button, Cords, Connectors, Hook, Ring, & Safety Cable, black cord
+RB5-PEN/WHT	3/4 Pendant Kit WHT
+RB5-PEN/BLK	3/4 Pendant Kit - BLK
+RB5-RED1/2 10	3/4" to 1/2" pendant adapter
+RB5-SMB/BLK	Surface Mount Bracket black
+RB5-SMB/WHT	Surface Mount Bracket white
+RB5-AC5/SS	5ft stainless aircraft cable suspension kit
+RB5-AC10/SS	10ft stainless aircraft cable suspension kit
+RB5-AC5	5ft aircraft cable suspension kit
+RB5-AC10	10ft aircraft cable suspension kit
+RB5-FMB 1, 13, 15, 17	Fixture junction box
+UHBS-RC	Universal High Bay Sensor Remote Control
DIFFUSERS/SHIELDING	
+RB5S-AD	16" Acrylic Diffuser for small fixture
+RB5L-AD	16" Acrylic Diffuser for large fixture
+RB5S-DAD	16" Deep Acrylic Diffuser for small fixture
+RB5L-DAD	16" Deep Acrylic Diffuser for large fixture
+RB5S-DAD22 7	22" Deep Acrylic Diffuser for small fixture
+RB5L-DAD22 7	22" Deep Acrylic Diffuser for large fixture
+RB5S-REFL 7	16" Aluminum Reflector for small fixture
+RB5L-REFL 7	16" Aluminum Reflector for large fixture
+RB5S-REFL/WHT 7	16" Aluminum Reflector for small fixture; Outside Painted White
+RB5L-REFL/WHT 7	16" Aluminum Reflector for large fixture; Outside Painted White
+RB5S-REFL/BLK 7	16" Aluminum Reflector for small fixture; Outside Painted Black
+RB5L-REFL/BLK 7	16" Aluminum Reflector for large fixture; Outside Painted Black

CONTINUE TO NEXT PAGE



RB5

ROUND HIGH BAY

ORDERING GUIDE (Continued)

*Footnotes on page 3

DIFFUSERS/SHIELDING	
+RB5-CL16 ^{9,22}	16" Conical Bottom Frosted Lens
+RB5-CL22 ^{7,9,22}	22" Conical Bottom Frosted Lens
+RB5-WC16 ^{6,9,11,12}	16" Wire Cage for AD, DAD, REFL
+RB5-WC22 ^{6,7,8,11,12}	22" Wire Cage for DAD22
+RB55-WG ^{11,12,19}	Wire Guard for small fixture
+RB5L-WG ^{11,12,19}	Wire Guard for large fixture
+RB55-WC/FULL ^{7,9,11,12}	16" or 22" Full Wire Cage (Suitable for use with Diffuser and bottom lenses)
+RB5L-WC/FULL ^{7,9,11,12}	16" or 22" Full Wire Cage (Suitable for use with Diffuser and bottom lenses)



QUICK SHIP ITEMS

PRODUCT	DESCRIPTION	DLC LISTING
RB55-9L/12L/15L-U-CCTS-PCL-BLK	Round High Bay, 9L/12L/15L Lumen Select, Clear Lens, CCT Selectable 35,40,50, BLK Finish	
RB55-15L/18L/22L-U-CCTS-PCL-BLK	Round High Bay, 15L/18L/22L Lumen Select, Clear Lens, CCT Selectable 35,40,50, BLK Finish	
RB5L-26L/30L/36L-U-CCTS-PCL-BLK	Round High Bay, 26L/30L/36L Lumen Select, Clear Lens, CCT Selectable 35,40,50, BLK Finish	
RB55-9L/12L/15L-U-CCTS-PCL-WHT	Round High Bay, 9L/12L/15L Lumen Select, Clear Lens, CCT Selectable 35,40,50, WHT Finish	
RB55-15L/18L/22L-U-CCTS-PCL-WHT	Round High Bay, 15L/18L/22L Lumen Select, Clear Lens, CCT Selectable 35,40,50, WHTFinish	
RB5L-26L/30L/36L-U-CCTS-PCL-WHT	Round High Bay, 26L/30L/36L Lumen Select, Clear Lens, CCT Selectable 35,40,50, WHT Finish	

ACCESSORIES	
BLANK	None
+UHBMS ^{5,12,15}	User Selectable Universal Microwave High Bay Sensor for 3.5mm Jack
+UHBS-RC	Universal High Bay PIR Sensor Remote Control
+UHBS-3.5MM-KIT ^{5,12,15}	User Selectable Universal PIR High Bay Sensor for 3.5mm Jack
+NURO6-WHT-V1 ^{12,15,16}	NUROAir Plug n Play Bluetooth Groupable Sensor
+RB5-EM40/WHT ^{2,7,14}	40W EM Inverter with integral j-box, Remote, Test Button, Cords, Connectors, Hook, Ring, & Safety Cable, white cord
+RB5-EM40/BLK ^{2,7,14}	40W EM Inverter with integral j-box, Remote, Test Button, Cords, Connectors, Hook, Ring, & Safety Cable, black cord
+RB5-PEN/WHT	Pendant Kit WHT
+RB5-PEN/BLK	Pendant Kit - BLK
+RB5-RED1/2 ¹⁰	3/4" to 1/2" pendant adapter
+RB5-SMB/BLK	Surface Mount Bracket black
+RB5-SMB/WHT	Surface Mount Bracket white
+RB5-AC5	5ft aircraft cable suspension kit
+RB5-AC10	10ft aircraft cable suspension kit

QUICK SHIP DIFFUSERS/SHIELDING	
+RB55-AD	16" Acrylic Diffuser
+RB5L-AD	16" Acrylic Diffuser
+RB55-DAD	16" Deep Acrylic Diffuser
+RB5L-DAD	16" Deep Acrylic Diffuser
+RB55-REFL ⁷	16" Aluminum Reflector
+RB5L-REFL ⁷	16" Aluminum Reflector
+RB55-WG ^{11,12,19}	Wire Guard
+RB5L-WG ^{11,12,19}	Wire Guard

FOOTNOTES

- ¹ Does not maintain IP65 rating
- ² Options maintain IP65 rating
- ³ Contact Factory for more details
- ⁴ Not available with HV drivers
- ⁵ Requires +UHBS-RC for alternate programming of sensor (1 needed per site)
- ⁶ Cannot be used with CL option
- ⁷ Long lead time item, please consult factory
- ⁸ Not available with AC5 or AC10; Requires PEN/xxx for pendant mounting
- ⁹ Must be used with AD, REFL, or DAD accessories
- ¹⁰ Must be used with +RB5-PEN/xxx Option
- ¹¹ WC and WC/FULL does not qualify for NSF
- ¹² Not compatible with WC, WG, WC/FULL or REFL accessories
- ¹³ Can't be used with SMB, AC, & EM options; requires PEN/xxx for pendant mounting
- ¹⁴ Can't be used with SMB, PEN, AC, HV or EM options
- ¹⁵ Not available with NSF
- ¹⁶ Requires Bluetooth enabled device for programming
- ¹⁷ Option comes with a single cord
- ¹⁸ Consult factory for plug options
- ¹⁹ Not available with AD, REFL or DAD accessories
- ²⁰ Not available with 9L/12L/15L, 9L or 12L lumen packages
- ²¹ Only available with EM
- ²² Not available with non-microwave sensors

**RB5****ROUND HIGH BAY**

LED SYSTEMS INFO

LED SYSTEMS INFORMATION ¹		3500K		4000K		5000K		Wattage ²	DLC
Part Numbers	Lens	Lumens	Efficacy	Lumens	Efficacy	Lumens	Efficacy		
RB5S-9L/12L/15L	PCL	14924	153	16147	172	15348	157	97	
	PFL	12557	128	13645	145	12985	133	97	
RB5S-9L	PCL	8400	140	9000	150	8400	140	60	
	PFL	7500	125	8400	140	7800	130	60	
RB5S-12L	PCL	11200	140	12000	150	11200	140	80	
	PFL	10000	125	11200	140	10400	130	80	
RB5S-15L/18L/22L	PCL	21872	145	24084	166	22351	148	149	
	PFL	18910	126	20265	140	19268	128	149	
RB5S-15L	PCL	14000	140	15000	150	14000	140	100	
	PFL	12500	125	14000	140	13000	130	100	
RB5S-18L	PCL	16800	140	18000	150	16800	140	120	
	PFL	15000	125	16800	140	15600	130	120	
RB5L-26L/30L/36L	PCL	35099	150	37851	169	35296	152	233	
	PFL	30105	129	32436	145	30569	131	230	
RB5L-26L	PCL	24500	140	26250	150	24500	140	175	
	PFL	21875	125	24500	140	22750	130	175	
RB5L-30L	PCL	28000	140	30000	150	28000	140	200	
	PFL	25000	125	28000	140	26000	150	200	

¹Values are nominal, see IES file for more detail
²Electrical data at 25C (77F). Actual wattage may differ by +/-10%.

AMBIENT TEMPERATURE RANGE

Part Number	Standard	EM/W	EM/D	HV	+RB5-EM40
RB5S-9L/12L/15L	-40°F - 122°F	32°F - 102°F	32°F - 108°F	-40°F - 122°F	32°F - 91.4°F
RB5S-15L/18L/22L		32°F - 98°F	32°F - 93°F		
RB5L-26L/30L/36L	-40°F - 118°F	32°F - 90°F	32°F - 86°F	-40°F - 118°F	

SHIPPING INFORMATION

Item	Weight/pc	Fixture Qty./Pallet
RB5S-9L/12L/15L-U-CCTS-PCL-BLK	2.03 kg	99 pcs
RB5S-15L/18L/22L-U-CCTS-PCL-BLK	2.03 kg	99 pcs
RB5L-26L/30L/36L-U-CCTS-PCL-BLK	2.87 kg	66 pcs



CONTROLS OPTIONS

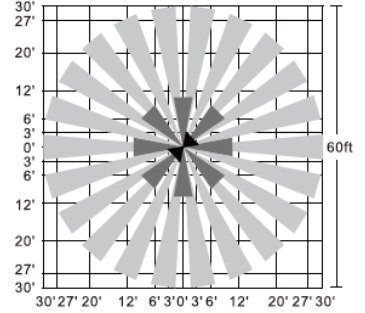
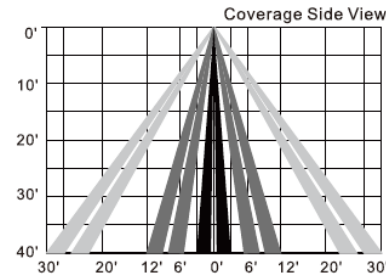
BASIC

+UHBS-3.5MM-KIT & +UHBMS - Universal High Bay Sensor for 3.5mm Jack

Plug n play Universal Highbay Sensor provides multi-level control based on motion and/or daylight contribution. Remote control allows for modifications of Detection zone, Time settings, Sensitivity, Daylight, and Dimming levels.



UHBS



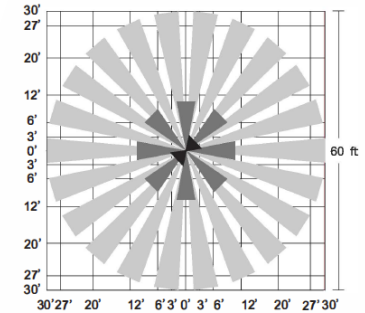
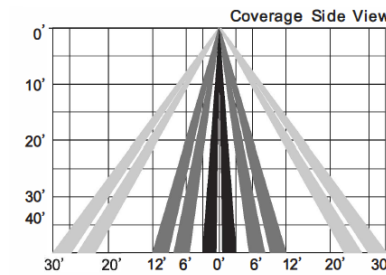
+UHBS-RC - Universal High Bay Sensor Remote Control



Sensor	Mounting Height	Ambient Temp Range
UHBMS	40'	-40°C to +50°C (-40°F to 122°F)
UHBS	40'	-20°C to +50°C (-4°F to 122°F)

Warm up time is 40 seconds. After the sensor connects input power first time, the light will keep on 40 seconds, then go to dimming to work normally. Factory Default Setting: 100% sensitivity, Hold on time: 5 minutes, Daylight sensor is \ast , Dimming level: 30%, Dimming time: 60 minutes.

UHBMS



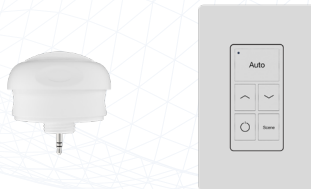
Factory Default Setting: 100% sensitivity. Hold on time: 5min, Daylight sensor is ON, Dimming level: 30% Dimming time: 60 minutes.

ADVANCED

NUROAir by ILLUMUS

NURO

NUROAir Plug n Play Bluetooth Sensor is the optimal groupable controls lighting solution. With main features such as Plug and Play, PIR Motion Sensing, Occupancy/Vacancy and Daylight Harvesting (WHT) - this flexibility makes the NUROAir Plug n Play Sensor ideal for tailoring lighting to specific space needs, optimizing both ambiance and efficiency. The NUROAir App, available for download on iOS and Google Play Store, offers a user-friendly interface for automatic or manual customization of your space. Through the app, users can configure sensor settings such as the Light Output, CCT, Hold Time, Standby Time/Level, High/Low End Trim, Background Light Level, Set Schedules, and Control Lighting Groups or Zones, all from a mobile or tablet device. Manual control is also available with a range of compatible wireless & wired wall switch options.



Click Here or Scan Code to Learn More About

NUROAir Bluetooth Controls



RB5 ROUND HIGH BAY

OPTIONS



+RB5-AD

16" Shallow Acrylic Diffuser.
Ship with accessory.



+RB5-DAD +RB5-DAD22

16" or 22" Deep Acrylic Diffuser.
Ship with Accessory.



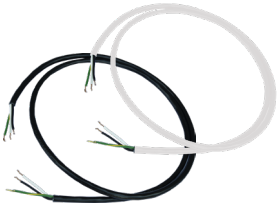
+RB5-CL16 +RB5-CL22

16" or 22" Frosted Conical Bottom Lens.
Must be used with AD, DAD, or REFL options.
Ship with accessory.
Shown with AD Lens.



+RB5-REFL +RB5-REFL/BLK +RB5-REFL/WHT

Aluminum Reflector.
Ship with accessory.



Cx/5W Cx/6W

5 or 6 Conductor Cords available in
10', 15', & 20'
(Inquire for additional options).
6ft 3W cord and 3ft 2W cord included
(Plug ordered Separately; Damp
location only).
Cord matches fixture finish.



+RB5-RED1/2

1/2" Pendant to 3/4" Adapter.
Use with PEN/XXX when utilizing
a 1/2" Pendant stem.



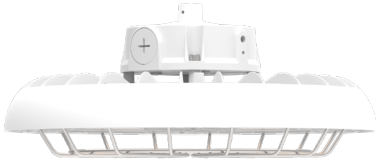
+RB5-HB5 +RB5-HB10

5ft or 10ft Aircraft Cable Suspension
Kit. SS option available for Stainless
Steel. Ship with accessory.



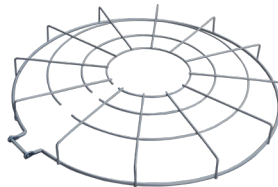
+RB5-SMB

Surface Mount Bracket.
Ship with accessory.



+RB5S-WG +RB5L-WG

Wire Guard. Can only be used
on PCL or PFL Lenses. Ship with
accessory.



+RB5-WC16 +RB5-WC22

16" or 22" Wire Cage. Can
only be used with AD, DAD, or
REFL options.
Ship with accessory.



EM/W

120-277V Universal Driver & 30W battery backup
options for wet locations.
UL924 listed, Self Diagnostic, & Title 20 Compliant



EM/D

120-277V Universal Driver & 30W battery
backup options for damp locations. UL924 listed,
Self Diagnostic, and Title 20 Compliant.



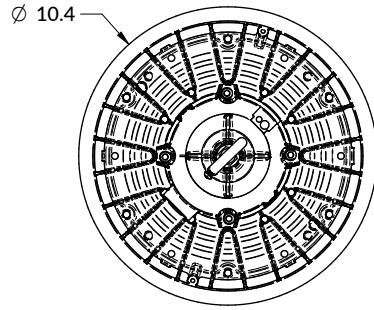
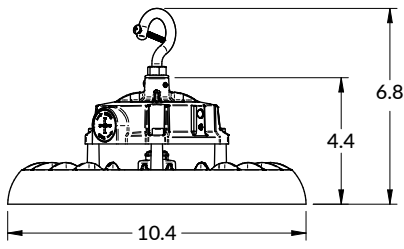
+RB5-EM40/xxx

Field Installable 40W EM Inverter with integral j-box, Remote,
Test Button, Cords, Connectors, Hook, Ring, & Safety Cable.
Suitable for wet locations. UL924 listed, Self Diagnostic, &
Title 20 Compliant. XXX indicated Cord Color (WHT or BLK)

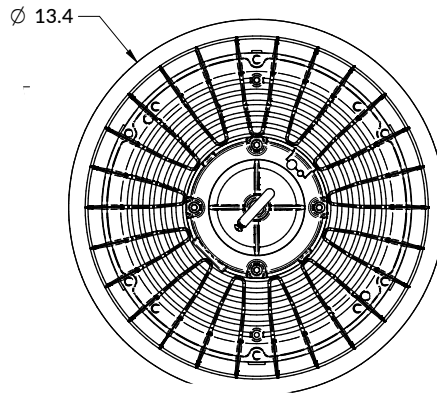
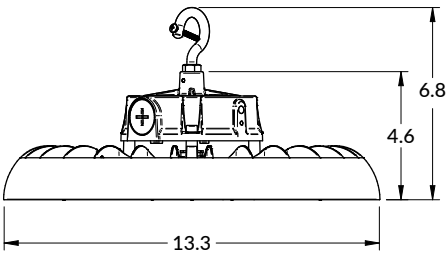


LINE DRAWINGS (All measurements in inches)

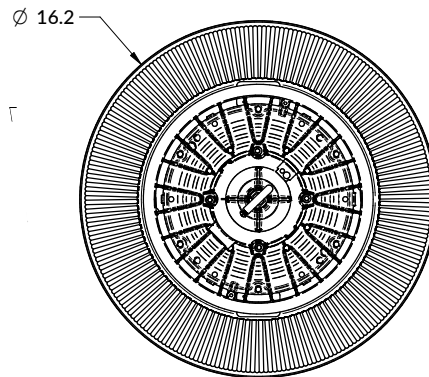
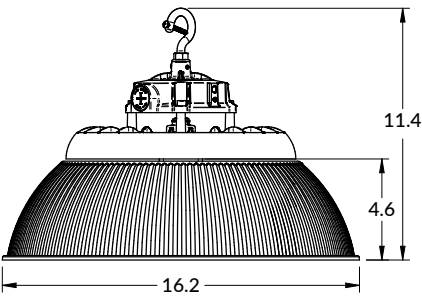
RB5S



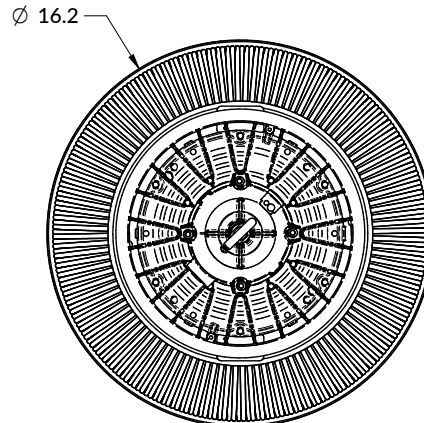
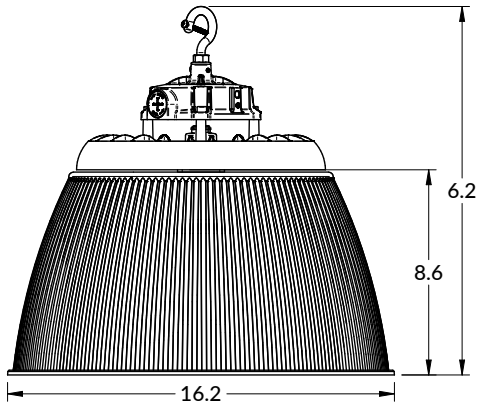
RB5L



RB5S-AD



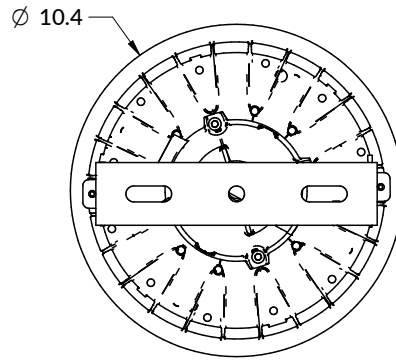
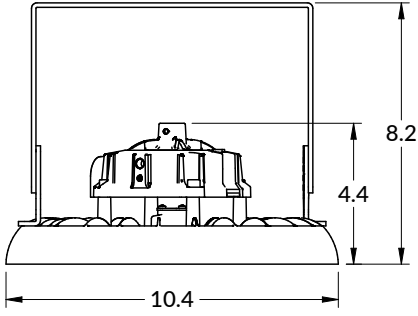
RB5S-DAD



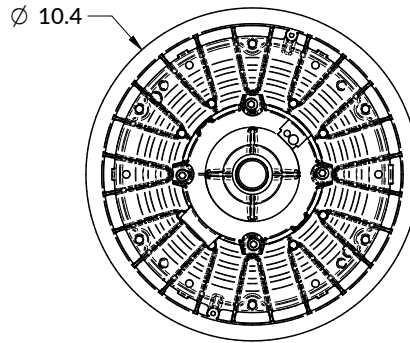
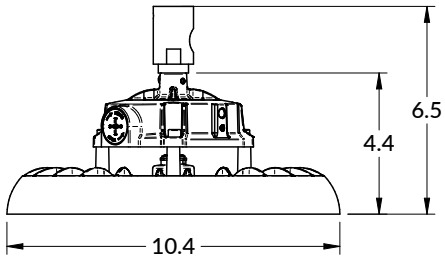


LINE DRAWINGS (Continued)

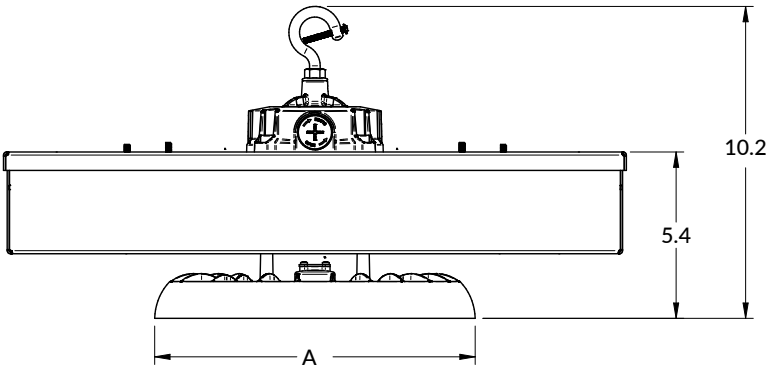
RB5S-SMB



RB5S-PEN



RB5S-EM



EM	
SKU	DIM A
RB5S	10.4
RB5L	13.3