

ILP POLES

STRAIGHT ROUND STEEL POLES



FEATURES

- Straight 4", 4.5", or 5" round steel poles
- Shaft – 42,000 p.s.i minimum yield
- Two-Piece Base Covers Included
- Reinforced handholes with grounding lug and removable cover
- Top tenon or drill pattern with removable pole cap
- Four galvanized anchor bolts w/ galvanized hardware Included
- Anchor bolt templates included
- Pre-ship anchor bolts with template – Prepay Freight & Add
- Finishes: ILP Bronze (BRZ), Black (BLK), Silver (SLV), & White (WHT) & custom colors upon request.
- Pole Vibration Dampeners available upon request
- 1 Year Limited Warranty



ORDERING GUIDE

SERIES	POLE TYPE	SIZE (in)	HEIGHT (ft)			GAUGE	DRILL PATTERN	DRILL LEGEND ² OR TENON	OPTIONS	FINISH
ILPOLE ¹	SR (Straight Round)	4	10	20	30	11	SKY=Skyline	1	PSA	BRZ
		4.5	11	21	VWP=Viewpoint		2	LAB	BLK	
	5	12	22	13	23	14	24	2L	GV	SLV
		15	25	16	26	17	27	3T	CPL34/xy ⁴	WHT
		18	28	19	29	4	NPL34/xy ⁴	CC ⁶		
		20	30	TN2	FDL/xy ⁴					
		21	31		GFCI/xy ⁴					
		22	32		EHH/xy ^{4,5}					
		23	33		VB					
		24	34							

¹Includes base cover, anchor bolts, template, & hardware
²Refer to the fixture spec sheet for the correct drilling template pattern and orientation compatibility.
³When ordering tenon mounting and drill mounting for the same pole, follow this example: -2/TN2. Combinations require an extra handhole option.
⁴Specify location and orientation when ordering option. For "x": Specify the height above the base of pole in feet or feet and inches; separate feet and inches with a "_".
 Example: 5ft = 5 and 20ft 3in = 20_3 For "y": Specify orientation from handhole (A,B,C,D) Refer to the Handhole Orientation diagram below. Example: 3/4" coupling at 5' 8" orientation C = CPL34/5-8C
⁵Combination of tenon-top and drill mount includes extra handhole.
⁶Consult factory for availability of alternate finishes; subject to longer lead-times


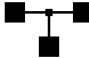
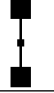

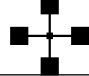
OPTIONS LEGEND			
PSA	Pre-Shipped Anchor Bolts	FDL/xy ⁴	Festoon Out Less Electrical
LAB	Less Anchor Bolts	GFCI/xy ⁴	Festoon Outlet w/ GFCI
GV	Pole Dip Galvanizing	EHH/xy ^{4,5}	Extra Hand Hole
CPL34/xy ⁴	3/4" Coupling	VB	Vibration Dampener
NPL34/xy ⁴	3/4" Threaded Nipple		

COLOR LEGEND			
BRZ	Bronze	WHT	White
BLK	Black	CC	Custom Color
SLV	Silver		

ILP POLES

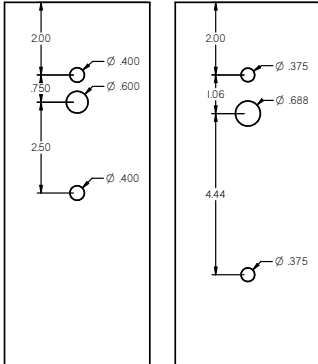
STRAIGHT ROUND STEEL POLES

POLE DRILLING TEMPLATES

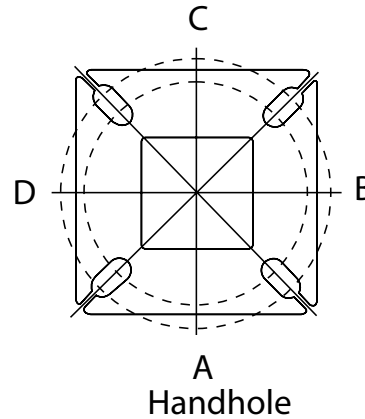
DRILL LEGEND				Sides	A	B	C	D		
-1	Single Fixture Drill Pattern		-3T	Three Fixture Drill Pattern		Handhole	x			
-2	Two Fixtures at 180° Drill Pattern					Single (-1)	x			
-2L	Two Fixtures at 90° Drill Pattern		-4	Four Fixtures Drill Pattern		D180 (-2)	x		x	
						D90 (-2L)	x	x		
						T90 (3T)	x	x	x	
						Q90 (-4)	x	x	x	x

POLE DRILLING PATTERN LINE DRAWINGS

SKYLINE Drill Pattern (SKY) Viewpoint Drill Pattern (VWP)



HANDHOLE ORIENTATION



IMPORTANT INSTALLATION NOTES:

- Do not erect poles without having fixtures installed.
- Factory-supplied templates must be used when setting anchor bolts. ILP will not accept claim for incorrect anchorage placement due to failure to use ILP templates.
- If poles are stored outside, all protective wrapping must be removed immediately upon delivery to prevent finish damage.
- ILP is not responsible for the foundation design.

SPECIFICATIONS

POLE SHAFT

Square 4", 4.5", or 5" straight pole shaft of consistent wall thickness. Made from hot-rolled electro-welded ASTM-A500 Grade C steel tubing with a minimum yield of 42 KSI. The pole shaft is a continuous flat sided square tube with uniform round radii corners.

POLE BASE

Pole base is made from ASTM-A36 hot-rolled steel. Bases can be modified to match existing foundations; consult factory.

HAND HOLE

Standard Reinforced hand-hole with grounding lug is located 18" above pole base. Every handhole includes a cover and cover attachment hardware. The handhole has a nominal dimension of 3" x 6".

POLE TOP

A black top cap is provided for all poles that have side-mount luminaire assemblies. On Tenon Mount steel poles, tenon is 2-3/8" O.D. high-strength pipe 4" in length.

BASE COVER

A matching finish two-piece clamshell ABS Plastic base cover is provided with every order.

HARDWARE

Anchor bolts conform to ASTM F 1554-07a Grade 55 with a minimum yield strength of 55 KSI. Above grade threaded portion is hot-dipped galvanized per ASTM A-153 (approx. 12"). Anchor Bolts ship with pole unless specified, utilize PSA option and refer to pricing guide for information.

FESTOON/GFCI

Weatherproof festoon outlet without electrical or with self-testing ground fault circuit interrupter is optional.

POLE VIBRATION DAMPER

A pole vibration damper is recommended in open terrain areas of the country where low steady state winds are common. Non-tapered poles and lightly loaded poles are more susceptible to destructive vibration if a damper is not installed.

FINISH

Protected with a durable polyester powder coat finish to withstand extreme weather changes without cracking or peeling. Bronze, White, Black, and Silver finishes standard. RAL Colors, Custom finishes, Hot-dipped Galvanized, or Paint over Hot-dipped Galvanized available; consult factory.

WARRANTY

1 Year Warranty (Terms and Conditions apply).

See Website for more details. <https://www.ilp-inc.com/documents/>

ILP POLES

STRAIGHT ROUND STEEL POLES

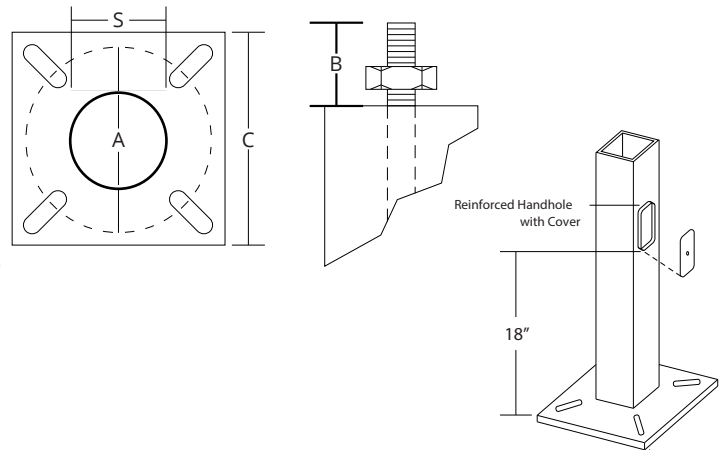
TECHNICAL INFORMATION - EPA (ft2) with 1.3 Gust

Catalog Number	Nominal Shaft Length (ft.)*	Pole Shaft Size (Base in. x top in. x ft.)	Wall thick (in)	Gauge	EPA (ft2) with 1.3 gust						Bolt size (in. x in. x in.)	Approximate ship weight (lbs.)
					80 MPH	Max. Weight	90 MPH	Max. Weight	100 MPH	Max. Weight		
ILPOLE-SR-4.5-8-11	8	4.5 x 8.0	0.120	11ga	24.7	630	19.7	495	16.0	430	3/4 x 18 x 3	55
ILPOLE-SR-4-10-11	10	4.0 x 10.0	0.120	11ga	19.1	480	15	375	12.2	305	3/4 x 18 x 3	70
ILPOLE-SR-4.5-10-11	10	4.5 x 10.0	0.120	11ga	24.5	615	19.5	490	15.8	395	3/4 x 18 x 3	75
ILPOLE-SR-4-12-11	12	4.0 x 12.0	0.120	11ga	15.0	390	11.8	300	9.5	240	3/4 x 18 x 3	80
ILPOLE-SR-4.5-12-11	12	4.5 x 12.0	0.120	11ga	19.8	495	15.7	395	12.7	320	3/4 x 18 x 3	85
ILPOLE-SR-4-14-11	14	4.0 x 14.0	0.120	11ga	12.2	305	9.4	250	7.6	195	3/4 x 18 x 3	90
ILPOLE-SR-4.5-14-11	14	4.5 x 14.0	0.120	11ga	16.2	405	12.8	320	10.3	260	3/4 x 18 x 3	95
ILPOLE-SR-4.5-15-11	15	4.5 x 15.0	0.120	11ga	12.0	300	9.5	250	7.5	200	3/4 x 18 x 3	96
ILPOLE-SR-4-16-11	16	4.0 x 16.0	0.120	11ga	9.6	250	7.4	185	5.9	150	3/4 x 18 x 3	100
ILPOLE-SR-4.5-16-11	16	4.5 x 16.0	0.120	11ga	13.1	330	10.2	265	8.2	205	3/4 x 18 x 3	105
ILPOLE-SR-4-18-11	18	4.0 x 18.0	0.120	11ga	7.6	190	5.7	180	4.5	130	3/4 x 18 x 3	110
ILPOLE-SR-4.5-18-11	18	4.5 x 18.0	0.120	11ga	10.5	265	8.2	210	6.5	165	3/4 x 18 x 3	115
ILPOLE-SR-4-20-11	20	4.0 x 20.0	0.120	11ga	6.0	150	4.45	150	3.45	125	3/4 x 18 x 3	120
ILPOLE-SR-4.5-20-11	20	4.5 x 20.0	0.120	11ga	8.5	215	6.6	165	5.2	130	3/4 x 18 x 3	130
ILPOLE-SR-5-20-11	20	5.0 x 20.0	0.120	11ga	11.75	300	9.1	230	7.25	180	3/4 x 18 x 3	145
ILPOLE-SR-4.5-22-11	22	4.5 x 22.0	0.120	11ga	6.0	150	4.5	125	3.75	100	3/4 x 18 x 3	134
ILPOLE-SR-4-25-11	25	4.0 x 25.0	0.120	11ga	2.85	100	1.95	75	1.35	75	3/4 x 18 x 3	145
ILPOLE-SR-4.5-25-11	25	4.5 x 25.0	0.120	11ga	4.8	130	3.6	90	2.7	90	3/4 x 18 x 3	145
ILPOLE-SR-5-25-11	25	5.0 x 25.0	0.120	11ga	7.25	180	5.5	150	4.25	150	3/4 x 18 x 3	180
ILPOLE-SR-4.5-30-11	30	4.5 x 30.0	0.120	11ga	2.3	80	1.5	75	1.0	60	3/4 x 18 x 3	185
ILPOLE-SR-5-30-11	30	5.0 x 30.0	0.120	11ga	4.2	150	3	125	2.25	100	3/4 x 18 x 3	210

* EPA values are based ASCE 7-93 wind map. For 1/2 ft increments, add -.6 to the pole height. Ex: 20-6 equals 20ft 6in.

Determining The Luminaire/Pole Combination For Your Application:

- Select luminaire from luminaire ordering information
- Select bracket configuration if required
- Determine EPA value from luminaire/bracket EPA chart
- Select Pole height
- Select MPH to match wind speed in the application area (See windspeed maps)
- Confirm pole EPA equal to or exceeding value of luminaire/bracket EPA
- Consult factory for special wind load requirements and banner brackets



POLE DATA

SHAFT BASE SIZE S	BOLT CIRCLE A	BOLT PROJECTION B	BASE DIAMETER C	BASE PLATE THICKNESS T	TEMPLATE DESCRIPTION
4"	7.5"-8.5"	3.5"- 3.75"	10.5"	0.75"	ILPOLE ROUND 4" MOUNTING TEMPLATE
4.5"	7.5"-8.5"	3.5"- 3.75"	10.5"	0.75"	ILPOLE ROUND 4.5" MOUNTING TEMPLATE
5"	7.5"-8.5"	3.5"- 3.75"	10.5"	0.75"	ILPOLE ROUND 5" MOUNTING TEMPLATE