

Project Name:	Part Number:	Type:
---------------	--------------	-------

ILP POLES

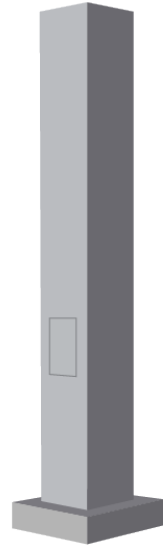
STRAIGHT SQUARE STEEL POLES



407-478-3759
www.ilp-inc.com

FEATURES

- Straight 4", 5", or 6" square steel poles
- Shaft - 55,000 p.s.i minimum yield
- Two-Piece Base Covers Included
- Base Plates - 36,000 p.s.i. minimum yield
- Reinforced handholes with grounding lug and removable cover
- Top tenon or drill pattern with removable pole cap
- Four galvanized anchor bolts w/ galvanized hardware Included
- Anchor bolt templates included
- Pre-ship anchor bolts with template - Prepay Freight & Add
- Finishes: ILP Bronze (BRZ), Black (BLK), Silver (SLV), & White (WHT) & custom colors upon request.
- Pole Vibration Dampeners available upon request
- 1 Year Limited Warranty



AVAILABLE POLE CONFIGURATIONS

- 4" 11ga : 10' - 25'
- 4" 7ga : 10' - 30'
- 5" 11ga : 10' - 30'
- 5" 7ga : 10' - 35'
- 6" 7ga : 10' - 39'



ORDERING GUIDE

SERIES	POLE TYPE	SIZE (in)	HEIGHT(ft)			GAUGE	DRILL PATTERN	DRILL LEGEND ² OR TENON	OPTIONS	FINISH
ILPOLE ¹	SS (Straight Square)	4	10	20	30	11	SKY=Skyline	-1	PSA	BRZ
		5	11	21	31	7	VWP=Viewpoint	-2	LAB	BLK
	6	12	22	32				-2L	GV	SLV
		13	23	33				-3T	CPL34/xy ⁴	WHT
		14	24	34				-4	NPL34/xy ⁴	CC ⁶
		15	25	35				TN2	FDL/xy ⁴	
		16	26	36					GFCI/xy ⁴	
		17	27	37					EHH/xy ^{4,5}	
		18	28	38					VB	
		19	29	39						

¹Includes base cover, anchor bolts, template, & hardware

²Refer to the fixture spec sheet for the correct drilling template pattern and orientation compatibility.

³When ordering tenon mounting and drill mounting for the same pole, follow this example: -2/TN2. Combinations require an extra handhole option.

⁴Specify location and orientation when ordering option. For "x": Specify the height above the base of pole in feet or feet and inches; separate feet and inches with a " ".

Example: 5ft = 5 and 20ft 3in = 20_3 For "y": Specify orientation from handhole (A,B,C,D) Refer to the Handhole Orientation diagram below. Example: 3/4" coupling at 5' 8" orientation C = CPL34/5-8C

⁵Combination of tenon-top and drill mount includes extra handhole.

⁶Consult factory for availability of alternate finishes; subject to longer lead-times

OPTIONS LEGEND			
PSA	Pre-Shipped Anchor Bolts	FDL/xy ⁴	Festoon Out Less Electrical
LAB	Less Anchor Bolts	GFCI/xy ⁴	Festoon Outlet w/ GFCI
GV	Pole Dip Galvanizing	EHH/xy ^{4,5}	Extra Hand Hole
CPL34/xy ⁴	3/4" Coupling	VB	Vibration Dampener
NPL34/xy ⁴	3/4" Threaded Nipple		

COLOR LEGEND			
BRZ	Bronze	WHT	White
BLK	Black	CC	Custom Color
SLV	Silver		

ILP POLES

STRAIGHT SQUARE STEEL POLES

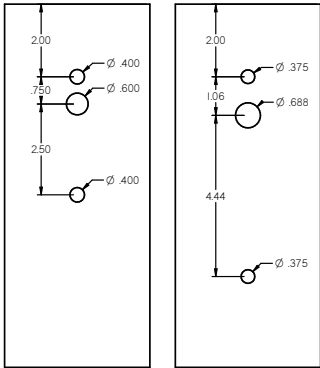
POLE DRILLING TEMPLATES

DRILL LEGEND		
-1	Single Fixture Drill Pattern	
-2	Two Fixtures at 180° Drill Pattern	
-2L	Two Fixtures at 90° Drill Pattern	
-3T	Three Fixture Drill Pattern	
-4	Four Fixtures Drill Pattern	

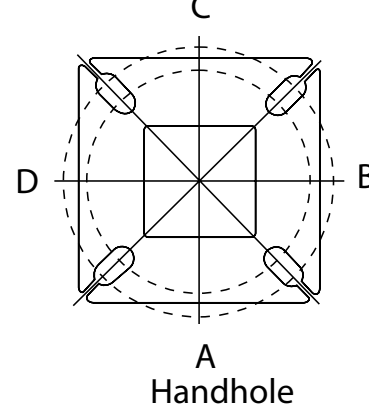
Sides	A	B	C	D
Handhole	x			
Single (-1)	x			
D180 (-2)	x		x	
D90 (-2L)	x	x		
T90 (3T)	x	x	x	
Q90 (-4)	x	x	x	x

POLE DRILLING PATTERN LINE DRAWINGS

SKYLINE Drill Pattern (SKY) Viewpoint Drill Pattern (VWP)



HANDHOLE ORIENTATION



IMPORTANT INSTALLATION NOTES:

- Do not erect poles without having fixtures installed.
- Factory-supplied templates must be used when setting anchor bolts. ILP will not accept claim for incorrect anchorage placement due to failure to use ILP templates.
- If poles are stored outside, all protective wrapping must be removed immediately upon delivery to prevent finish damage.
- ILP is not responsible for the foundation design.

SPECIFICATIONS

POLE SHAFT

Square 4", 5" or 6" straight pole shaft of consistent wall thickness. Made from hot-rolled electro-welded ASTM-A500 Grade C steel tubing with a minimum yield of 50 KSI. The pole shaft is a continuous flat sided square tube with uniform round radii corners.

POLE BASE

Pole base is made from ASTM-A36 hot-rolled steel with a minimum yield of 36 KSI. Bases can be modified to match existing foundations; consult factory.

HAND HOLE

Standard Reinforced hand-hole with grounding lug is located 18" above pole base. Every handhole includes a cover and cover attachment hardware. The handhole has a nominal dimension of 3" x 6".

POLE TOP

A black top cap is provided for all poles that have side-mount luminaire assemblies. On Tenon Mount steel poles, tenon is 2-3/8" O.D. high-strength pipe 4" in length.

BASE COVER

A matching finish two-piece clamshell ABS Plastic base cover is provided with every order.

HARDWARE

Anchor bolts conform to ASTM F 1554-07a Grade 55 with a minimum yield strength of 55 KSI. Above grade threaded portion is hot-dipped galvanized per ASTM A-153 (approx. 12"). Anchor Bolts ship with pole unless specified, utilize PSA option and refer to pricing guide for information.

FESTOON/GFCI

Weatherproof festoon outlet without electrical or with self-testing ground fault circuit interrupter is optional.

POLE VIBRATION DAMPER

A pole vibration damper is recommended in open terrain areas of the country where low steady state winds are common. Non-tapered poles and lightly loaded poles are more susceptible to destructive vibration if a damper is not installed.

FINISH

Protected with a durable polyester powder coat finish to withstand extreme weather changes without cracking or peeling. Bronze, White, Black, and Silver finishes standard. RAL Colors, Custom finishes, Hot-dipped Galvanized, or Paint over Hot-dipped Galvanized available; consult factory.

WARRANTY

1 Year Warranty (Terms and Conditions apply). See Website for more details. <https://www.ilp-inc.com/documents/>

CERTIFICATIONS

BAA/TAA Compliant

ILP POLES

STRAIGHT SQUARE STEEL POLES

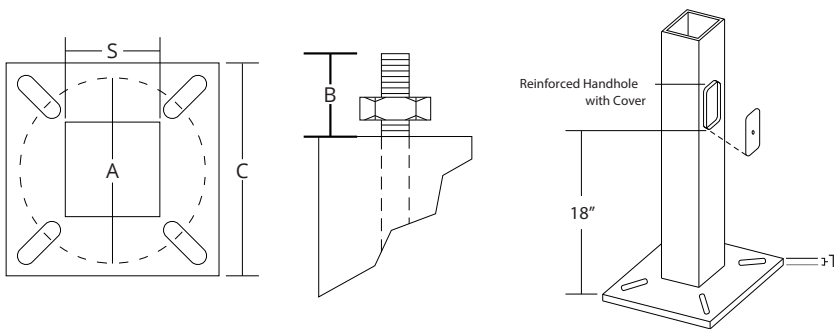
TECHNICAL INFORMATION - EPA (ft2) with 1.3 Gust

Catalog Number	Nominal Shaft Length (ft.)*	Pole Shaft Size (Base in. x top in. x ft.)	Wall thick (in)	Gauge	EPA (ft2) with 1.3 gust						Bolt circle (in)	Bolt size (in. x in. x in.)	Approximate ship weight (lbs.)
					80 MPH	Max. Weight	90 MPH	Max. Weight	100 MPH	Max. Weight			
ILPOLE-SS-4-10-11	10	4.0 x 10.0	0.1196	11	30.6	765	23.8	595	18.9	473	8--9	3/4 x 20 x 3	75
ILPOLE-SS-4-12-11	12	4.0 x 12.0	0.1196	11	24.4	610	18.8	470	14.8	370	8--9	3/4 x 20 x 3	90
ILPOLE-SS-4-14-11	14	4.0 x 14.0	0.1196	11	19.9	498	15.1	378	11.7	293	8--9	3/4 x 20 x 3	100
ILPOLE-SS-4-16-11	16	4.0 x 16.0	0.1196	11	15.9	398	11.8	295	8.9	223	8--9	3/4 x 20 x 3	115
ILPOLE-SS-4-18-11	18	4.0 x 18.0	0.1196	11	12.6	315	9.2	230	6.7	168	8--9	3/4 x 20 x 3	125
ILPOLE-SS-4-20-11	20	4.0 x 20.0	0.1196	11	9.6	240	6.7	167	4.5	150	8--9	3/4 x 20 x 3	140
ILPOLE-SS-4-20-7	20	4.0 x 20.0	0.1793	7	14	350	11	275	8	200	8--9	3/4 x 20 x 3	198
ILPOLE-SS-5-20-11	20	5.0 x 20.0	0.1196	11	17.7	443	12.7	343	9.4	235	10--12	1 x 36 x 3	185
ILPOLE-SS-5-20-7	20	5.0 x 20.0	0.1793	7	28.1	703	21.4	535	16.2	405	10--12	1 x 36 x 3	265
ILPOLE-SS-4-25-11	25	4.0 x 25.0	0.1196	11	4.8	150	2.6	100	1	50	8--9	3/4 x 20 x 3	170
ILPOLE-SS-4-25-7	25	4.0 x 25.0	0.1793	7	10.8	270	7.7	188	5.4	135	8--9	3/4 x 20 x 3	245
ILPOLE-SS-5-25-11	25	5.0 x 25.0	0.1196	11	9.8	245	6.3	157	3.7	150	10--12	1 x 36 x 3	225
ILPOLE-SS-5-25-7	25	5.0 x 25.0	0.1793	7	18.5	463	13.3	333	9.5	238	10--12	1 x 36 x 3	360
ILPOLE-SS-4-30-7	30	4.0 x 30.0	0.1793	7	6.7	168	4.4	110	2.6	65	8--9	3/4 x 20 x 3	295
ILPOLE-SS-5-30-11	30	5.0 x 30.0	0.1196	11	4.7	150	2	50	--	--	10--12	1 x 36 x 3	265
ILPOLE-SS-5-30-7	30	5.0 x 30.0	0.1793	7	10.7	267	6.7	167	3.9	100	10--12	1 x 36 x 3	380
ILPOLE-SS-6-30-7	30	6.0 x 30.0	0.1793	7	19	475	13.2	330	9	225	11--13	1 x 36 x 3	520
ILPOLE-SS-5-35-7	35	5.0 x 35.0	0.1793	7	5.9	150	2.5	100	--	--	10--12	1 x 36 x 3	440
ILPOLE-SS-6-35-7	35	6.0 x 35.0	0.1793	7	12.4	310	7.6	190	4.2	105	11--13	1 x 36 x 3	540
ILPOLE-SS-6-39-7	35	6.0 x 39.0	0.1793	7	7.2	180	3	75	--	--	11--13	1 x 36 x 3	605

* EPA values are based ASCE 7-93 wind map. For 1/2 ft increments, add -6 to the pole height. Ex: 20-6 equals 20ft 6in.

Determining The Luminaire/Pole Combination For Your Application:

- Select luminaire from luminaire ordering information
- Select bracket configuration if required
- Determine EPA value from luminaire/bracket EPA chart
- Select Pole height
- Select MPH to match wind speed in the application area (See windspeed maps)
- Confirm pole EPA equal to or exceeding value of luminaire/bracket EPA
- Consult factory for special wind load requirements and banner brackets



SHIPPING WEIGHTS	
4" (102 mm) sq. 11 Ga. is approximately	7.50 lbs./ft.
4" (102 mm) sq. 07 Ga. is approximately	10.00 lbs./ft.
5" (127 mm) sq. 11 Ga. is approximately	9.00 lbs./ft.
5" (127 mm) sq. 07 Ga. is approximately	12.50 lbs./ft.
6" (152 mm) sq. 07 Ga. is approximately	15.40 lbs./ft.
Anchor Bolts (3/4" x 20")	15 lbs./set
Anchor Bolts (1" x 36")	30 lbs./set

POLE DATA

SHAFT BASE SIZE S	BOLT CIRCLE A	BOLT PROJECTION B	BASE DIAMETER C	BASE PLATE THICKNESS T	ANCHOR BOLT KIT WITH TEMPLATE (Ship with item or use PSA option to pre-ship before poles)
4" - 11ga	8" - 9"	3.25" - 3.75"	8" - 8.25"	0.75"	ANCHOR-SS-4
4" - 7ga	8" - 9"	3.38" - 3.75"	8" - 8.25"	0.875"	ANCHOR-SS-4
5"	10" - 12"	3.5" - 4"	11"	1"	ANCHOR-SS-5
6"	11" - 13"	4" - 4.50"	12.5"	1"	ANCHOR-SS-6