



SLIM WALL PACK

LED ADJUSTABLE WALL PACK

**PRODUCT
OVERVIEW**SCAN OR
CLICK HERE

FEATURES

- Offers a sleek, low-profile design with adjustable Type IV distribution for precise outdoor lighting.
- Simplifies installation with a quick-mount bracket and multiple conduit access points.
- Provides flexible voltage options and 0-10V dimming for compatibility with diverse applications.
- Achieves code compliance with integrated PIR sensors and adjustable aiming for enhanced security.
- Ensures long-lasting durability with a die-cast aluminum housing and tempered glass lens.
- Features field-adjustable lumen output and selectable CCT for customizable performance.

DIGITAL NAVIGATION

Explore the spec sheet through the links below

[ORDERING GUIDE](#)
[CONTROLS](#)[QUICK SHIP](#)
[OPTIONS](#)[LED SYSTEMS TABLE](#)
[LINE DRAWINGS](#)[FAO LUMEN OUTPUT](#)

Small Housing 2L - 3L

Large Housing 5L-10L
Shown with USBD Option

SUITABLE APPLICATIONS

- Pedestrian Walkways
- Building Entrances
- Multi-use Facilities
- Industrial Facilities
- Parking Lots
- Storage Facilities
- Schools
- Loading Docks

CERTIFICATIONS



*With FAO Option



*With IDA Option



SPECIFICATIONS

CONSTRUCTION

Slim Wall Pack luminaire features a sleek low-profile die-cast aluminum housing with matching housing styles for both a small and medium size housings. Slim Wall Pack is protected with a durable Bronze polyester powder coat finish to withstand extreme weather changes without cracking or peeling (Consult factory for availability of alternate finishes). The Adjustable head pivots up to 90° to allow for more forward throw illumination (IDA option eliminates the need to drill through the luminaire housing ensuring reliable IP65 ingress protection and fast hands-free mounting via hanging mechanism. One-piece silicone gasket seals door and back box.

ELECTRICAL

High-performance driver features over-voltage, under-voltage, short circuit and over temperature protection. 0-10V dimming (10% - 100%) standard. Standard Universal Voltage (120-277 Vac) Input 50/60 Hz or optional High Voltage (277-480 Vac). L70 >100,000 hrs. in accordance of IESNA TM-21-11 Projected values at 25°C Ambient temperature. Total harmonic distortion: <20%, PF >0.9. Input power stays constant over life. Minimum 2.5kV surge rating. Optional Field Adjustable Output (FAO) accessory allows for individual lumen output control with 8 adjustable light levels per lumen package. 120-277V Self Diagnostic & CEC Title 20 compliant 12W battery backup & 14W cold weather battery options provide 90 minutes of constant power to the LED system, ensuring code compliance.

INSTALLATION

The Slim Wall Pack features a universal quick mount bracket, allowing for effortless installation to standard 3.5" to 4" round/octagonal, 4" square, single gang, masonry junction boxes or vertical surface mounting (secured by four lag bolts (supplied by others)). 1/2" NPT conduit entry points allow for surface-conduit or thru-branch wiring. Back box is an authorized electrical wiring compartment. Fixture leads exit the back of the casting through a poke-in water-tight grommet. Integral CCT selector allows for toolless CCT tuning at installation.

OPTICS

The isolated silicone sealed optical chamber utilizes a proprietary high-reflective white molded baffle. Optical assembly features an impact-resistant tempered glass lens and meets IESNA requirements for full cutoff compliance. Available in five lumen packages and CCT selectable via an integral CCT selector switch (3000K, 4000K, & 5000K). The Adjustable head pivots up to 90° to allow for more forward throw illumination. IDA option is fixed 3000K and does not allow for head pivoting (full-cutoff).

THERMAL

The Slim Wall Pack features an array of High-efficacy mid-power LED's on a metal core circuit board. The LED board is mounted directly to a cast aluminum housing with heat dissipating fins to provide excellent thermal performance extending the life of electronic components. Operating Ambient Temperature: -40°C to +40°C (-40°F to 104°F) Operating temperature for standard battery backup: 0°C to +40°C (+32°F to +104°F), Cold Weather battery backup: -20°C to +50°C (-4°F to +122°F).

CONTROLS

Three 1/2" NPT apertures allow for field or factory installed 120-277V universal electronic photocell. Optional PIR sensors available installed in added sensor housing (see page 3 for more details). Sensors provide optional on/off control, photocell capability, bi-level dimming, and Bluetooth configuration allows for on-site modifications. (See page 4 for more information)

CERTIFICATIONS

UL Listed for wet locations. Tested in accordance with IESNA LM-79 and LM-80 standards. DLC (DesignLights Consortium) Standard Qualified. Please refer to the DLC Qualified Products List at www.Designlights.org/QPL to confirm specific product

WARRANTY

5 Year Warranty Standard; 10 Year Warranty Optional ([Terms and Conditions apply](#)).



SLIM WALL PACK

LED ADJUSTABLE WALL PACK

ORDERING GUIDE

PART #

Example: SWP-5L-U-CCTS-LEDBB-SP1-NURO-BRZ-10YR

| SERIES | LUMENS | DRIVER | CCT | EMERGENCY | PROTECTION |
|--------------------|---|--|--|--|--|
| SWP Slim Wall Pack | 2L 2,000 lm 3L 3,000 lm 5L 5,000 lm 8L 8,000 lm 10L 10,000 lm | U 120-277V HV ¹ 277-480V | CCTS Selectable CCT (5000K, 4000K, 3000K) 30 ³ | BLANK None LEDBB ^{1,2} 12W Self Diagnostic & CEC Title 20 Battery Backup LEDBBCT ^{1,2} 14W Self Diagnostic & CEC Title 20 Cold Temp Battery Backup | BLANK None SP1 ^{2,6} 10kA Max Univolt Surge Protection SP2 ^{2,6} 20kA Max 120-277V Surge Protector SP1HV ^{2,6} 10kA Max Univolt Surge Protection SP2HV ^{2,6} 20kA Max 120-277V Surge Protector |

| CONTROLS OPTIONS | | CERTIFICATIONS | FINISH | WARRANTY |
|---|---|--|---|---|
| BASIC | ADVANCED | BLANK None IDA ³ Dark Sky IDA Fixture Seal of Approval | BRZ Bronze BLK ⁴ Black WHT ⁴ White SLV ⁴ Silver NAT ⁴ Natural Aluminum RALxxxx ⁴ Custom | BLANK 5 Year 10YR ^{7,8} 10 Year |
| BLANK None FAO ¹⁰ Field Adjustable Output via 0-10V Wires PCU Electronic UNIV Photocell (120-277V) USB/Lx ^{2,5,9,10} Bluetooth User Select Bi-Level Dim Occ. Sensor; (x= Mounting height; 2=8', 3=20') | NURO ^{9,10} NUROAir Plug n Play Bluetooth Groupable Sensor | | | |

| SHIP WITH ACCESSORIES | |
|-----------------------|---|
| +FAO10V | Field Adjustable Output via 0-10V Wires |
| +SWP-ARM3-xxx | Pole Mount Arm Kit, 3" long (xxx=BRZ, BLK, WHT, SLV, NAT, RALxxxx) |
| +SWP-BPS-xxx | 18x9 Beauty Plate Kit, Small (xxx=BRZ, BLK, WHT, SLV, NAT, RALxxxx) |
| +SWP-BPL-xxx | 18x9 Beauty Plate Kit, Large (xxx=BRZ, BLK, WHT, SLV, NAT, RALxxxx) |
| +PCU | Electronic UNIV Photocell (120-277V) |

FOOTNOTES

¹5L, 8L, 10L Lumen Packages Only

²Not available with HV option

³Fixed to 3000K CCT and no angle adjustability for IDA Compliance. Must choose 30 CCT and IDA option to qualify

⁴Contact Factory for pricing and availability

⁵Does not qualify for DLC

⁶SP1/SP2 specified in combination with battery backups, separate surge protectors are required per electrical line

⁷Contact Factory for more details

⁸Requires additional surge protection (SP1,SP2, SP480V2); For additional details see general terms and conditions

⁹Requires Bluetooth enabled device for programming (provided by others)

¹⁰Only 1 allotted for controls options, excluding PCU



QUICK SHIP ITEMS:

| PRODUCT | DESCRIPTION | DLC LISTING |
|--------------------------|--|-------------|
| SWP-2L-U-CCTS-BRZ | Slim Wall Pack Small, 2,200 Lumens, 3K/4K/5K CCT Selectable, Bronze Finish | Premium |
| SWP-3L-U-CCTS-BRZ | Slim Wall Pack Small, 3,000 Lumens, 3K/4K/5K CCT Selectable, Bronze Finish | Premium |
| SWP-5L-U-CCTS-BRZ | Slim Wall Pack Large, 5,000 Lumens, 3K/4K/5K CCT Selectable, Bronze Finish | Premium |
| SWP-8L-U-CCTS-BRZ | Slim Wall Pack Large, 8,000 Lumens, 3K/4K/5K CCT Selectable, Bronze Finish | Premium |
| SWP-10L-U-CCTS-BRZ | Slim Wall Pack Large, 10,000 Lumens, 3K/4K/5K CCT Selectable, Bronze Finish | Premium |
| SWP-5L-U-CCTS-LEDBB-BRZ | Slim Wall Pack Large, 5,000 Lumens, 3K/4K/5K CCT Selectable, Bronze Finish, 10W CEC Emergency | Premium |
| SWP-10L-U-CCTS-LEDBB-BRZ | Slim Wall Pack Large, 10,000 Lumens, 3K/4K/5K CCT Selectable, Bronze Finish, 10W CEC Emergency | Premium |

QUICK SHIP ACCESSORIES

| | |
|------------------|--|
| +SWP-BPS-BRZ KIT | Beauty Plate kit for SWP 2L and 3L fixtures, powder coat Bronze |
| +SWP-BPL-BRZ KIT | Beauty Plate kit for SWP 5L, 8L, and 10L fixtures, powder coat Bronze |
| FAO10V | Field Adjustable Output - 7 level selection connected to 0-10V dimming wires |
| +PCU | Electronic UNIV Pencil Photocell (120-277V) |



SLIM WALL PACK

LED ADJUSTABLE WALL PACK

LED SYSTEMS INFO

| LED SYSTEMS INFO ¹ | 3000K | | | 4000K | | | 5000K | | | Watts ² | Replaces | DLC Listing |
|-------------------------------|--------------|----------|----------|------------|----------|----------|------------|----------|----------|--------------------|----------|-------------|
| | Part Numbers | Lumens | Efficacy | BUG Rating | Lumens | Efficacy | BUG Rating | Lumens | Efficacy | | | |
| SWP-2L-U-CCTS | 2,445 lm | 121 lm/W | B1-U0-G0 | 2,649 lm | 139 lm/W | B1-U0-G0 | 2,493 lm | 125 lm/W | B1-U0-G0 | 20 W | 100W MH | Premium |
| SWP-3L-U-CCTS | 3,125 lm | 133 lm/W | B2-U0-G0 | 3,310 lm | 145 lm/W | B2-U0-G0 | 3,226 lm | 136 lm/W | B2-U0-G0 | 24 W | 150W MH | Premium |
| SWP-5L-U-CCTS | 5,323 lm | 133 lm/W | B2-U0-G0 | 5,674 lm | 147 lm/W | B2-U0-G0 | 5,515 lm | 137 lm/W | B2-U0-G0 | 40 W | 175W MH | Premium |
| SWP-8L-U-CCTS | 8,173 lm | 137 lm/W | B3-U0-G1 | 8,678 lm | 150 lm/W | B3-U0-G1 | 8,455 lm | 141 lm/W | B3-U0-G1 | 60 W | 250W MH | Premium |
| SWP-10L-U-CCTS | 10,092 lm | 135 lm/W | B3-U0-G1 | 10,581 lm | 147 lm/W | B3-U0-G1 | 10,335 lm | 138 lm/W | B3-U0-G1 | 75 W | 320W MH | Premium |

¹LED Chips are frequently updated therefore values are nominal
²Electrical data at 25C (77F). Actual wattage may differ by +/-10%.

FAO LUMEN OUTPUT SETTINGS

| | | | | | | | | | |
|--------------------|------------------------|-------|-------|------|------|------|------|------|-----|
| SWP-2L-U-CCTS-BRZ | FAO Position | 0 | 1 | 2 | 3 | 4 | 5 | 6 | 7 |
| | Input Power (w) | 20 | 17 | 14 | 12 | 9 | 7 | 4 | 2 |
| | * Approx Lumens @3000K | 2400 | 2112 | 1800 | 1776 | 1224 | 912 | 528 | 168 |
| | * Approx Lumens @4000K | 2700 | 2376 | 2025 | 1998 | 1377 | 1026 | 594 | 189 |
| | * Approx Lumens @5000K | 2500 | 2200 | 1875 | 1850 | 1275 | 950 | 550 | 175 |
| SWP-3L-U-CCTS-BRZ | FAO Position | 0 | 1 | 2 | 3 | 4 | 5 | 6 | 7 |
| | Input Power (w) | 24 | 20 | 17 | 14 | 11 | 8 | 5 | 2 |
| | * Approx Lumens @3000K | 3240 | 2786 | 2398 | 1976 | 1523 | 1069 | 616 | 107 |
| | * Approx Lumens @4000K | 3480 | 2993 | 2575 | 2123 | 1636 | 1148 | 661 | 115 |
| | * Approx Lumens @5000K | 3360 | 2890 | 2486 | 2050 | 1579 | 1109 | 638 | 111 |
| SWP-5L-U-CCTS-BRZ | FAO Position | 0 | 1 | 2 | 3 | 4 | 5 | 6 | 7 |
| | Input Power (w) | 40 | 33 | 28 | 24 | 19 | 14 | 8 | 3 |
| | * Approx Lumens @3000K | 5400 | 4644 | 3996 | 3456 | 2754 | 1998 | 1080 | 351 |
| | * Approx Lumens @4000K | 5800 | 4988 | 4292 | 3712 | 2958 | 2146 | 1160 | 377 |
| | * Approx Lumens @5000K | 5600 | 4816 | 4144 | 3584 | 2856 | 2072 | 1120 | 364 |
| SWP-8L-U-CCTS-BRZ | FAO Position | 0 | 1 | 2 | 3 | 4 | 5 | 6 | 7 |
| | Input Power (w) | 65 | 57 | 48 | 40 | 33 | 23 | 14 | 6 |
| | * Approx Lumens @3000K | 8100 | 7209 | 6318 | 5427 | 4374 | 3159 | 1863 | 648 |
| | * Approx Lumens @4000K | 8700 | 7743 | 6786 | 5829 | 4698 | 3393 | 2001 | 696 |
| | * Approx Lumens @5000K | 8400 | 7476 | 6552 | 5628 | 4536 | 3276 | 1932 | 672 |
| SWP-10L-U-CCTS-BRZ | FAO Position | 0 | 1 | 2 | 3 | 4 | 5 | 6 | 7 |
| | Input Power (w) | 80 | 74 | 63 | 52 | 40 | 29 | 18 | 7 |
| | * Approx Lumens @3000K | 10000 | 9500 | 8000 | 6900 | 5400 | 4000 | 2300 | 850 |
| | * Approx Lumens @4000K | 10875 | 10331 | 8700 | 7504 | 5873 | 4350 | 2501 | 924 |
| | * Approx Lumens @5000K | 10500 | 9975 | 8400 | 7245 | 5670 | 4200 | 2415 | 893 |

*FAO device shipped set at maximum setting #0
 Values are based on the highest performance package for each fixture size.



SLIM WALL PACK

LED ADJUSTABLE WALL PACK

CONTROLS OPTIONS

BASIC

USBD

Optional Bluetooth Programmable PIR sensor allows for Continuous Dimming, Motion and/or daylight harvesting, Fully adjustable high/low dimmed light levels, and Adjustable time delay/cutoff delay. The sensor is programmed via a free iOS® or Android® Sensor Configuration App (compatible device provided by others). Available in 8' or 20' mounting lenses. See coverage patterns below.

Default settings:

High Mode: 100% Output

Low Mode: 10% Output

Time Delay: 5 mins

Cutoff: 1 hr

Sensitivity: High

Photocell: Disabled

Continuous Dimming: Disabled

FAO

Field Installable lumen/wattage output selection device. Attaches to the 0-10V dimming wires and provides 8 steps of control for specific site requirements.



PCU

Three 1/2" apertures allow for field or factory installed 120-277V universal electronic pencil photocell.



ADVANCED

NUROAir by ILLUMUS

NURO

NUROAir Plug n Play Bluetooth Sensor is the optimal groupable controls lighting solution. With main features such as Plug and Play, PIR Motion Sensing, Occupancy/Vacancy and Photocell (BLK) - this flexibility makes the NUROAir Plug n Play Sensor ideal for tailoring lighting to specific space needs, optimizing both ambiance and efficiency. The NUROAir App, available for download on iOS and Google Play Store, offers a user-friendly interface for automatic or manual customization of your space. Through the app, users can configure sensor settings such as the Light Output, CCT, Hold Time, Standby Time/Level, High/Low End Trim, Background Light Level, Set Schedules, and Control Lighting Groups or Zones, all from a mobile or tablet device. Manual control is also available with a range of compatible wireless & wired wall switch options.



POWERED BY ILLUMUS BRANDS



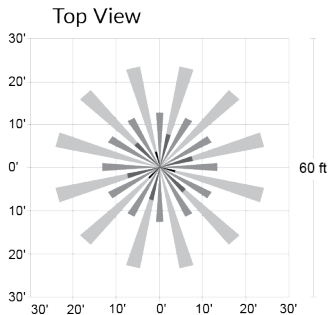
Click Here or Scan Code to Learn More About

NUROAir Bluetooth Controls

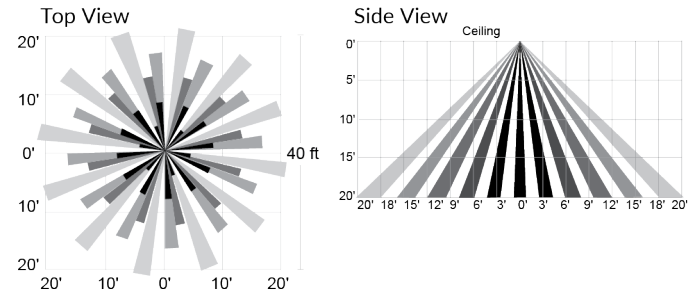


COVERAGE PATTERNS

USBD/L2



USBD/L3



OPTIONS

Quick Mount Bracket



90° Adjustable Type IV Distribution



Optional Beauty Plate



Optional Battery Pack



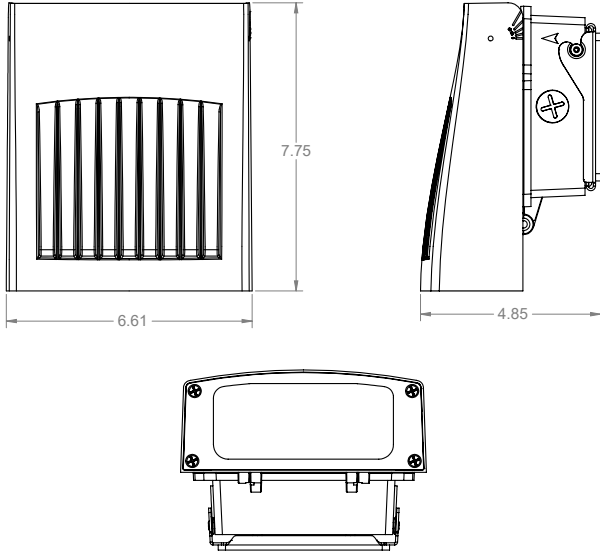


SLIM WALL PACK

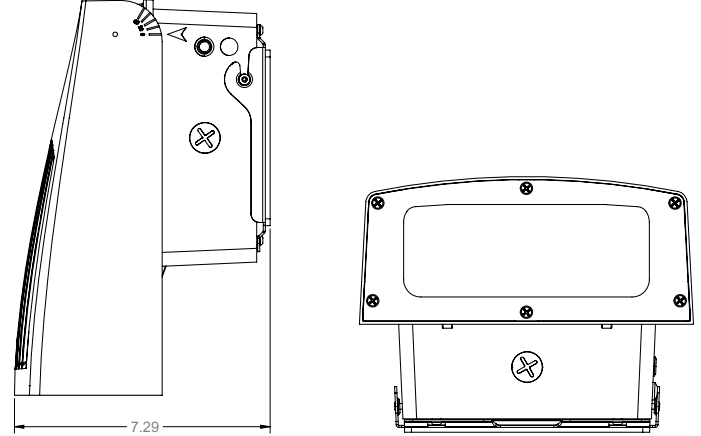
LED ADJUSTABLE WALL PACK

LINE DRAWINGS

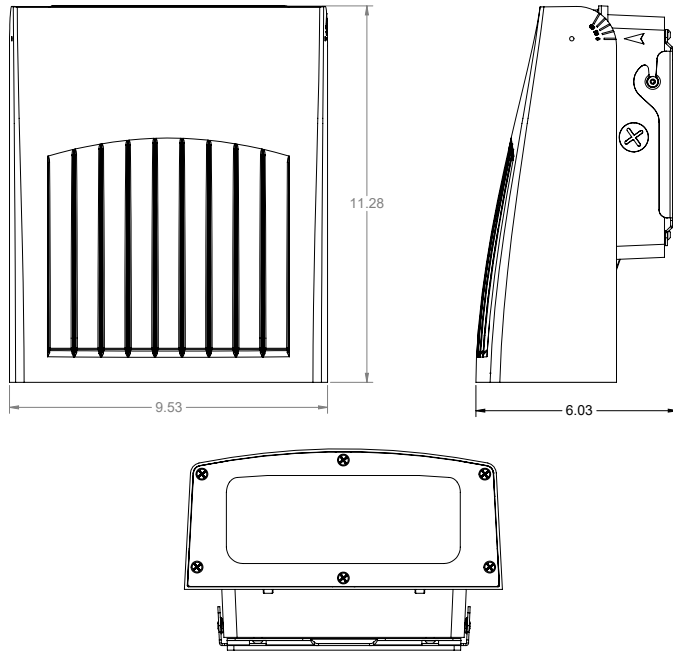
2L & 3L Small Housing



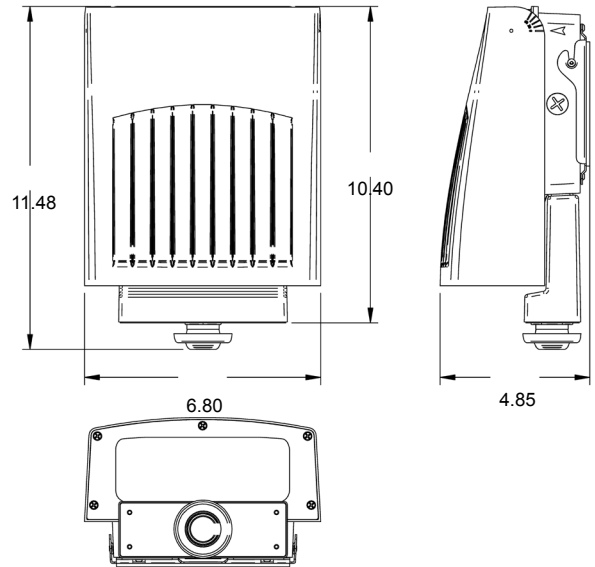
Large with Deep Box Cold Temp Battery Backup



5L, 8L & 10L Large Housing



Large with Sensor Box



Small with Sensor Box

