

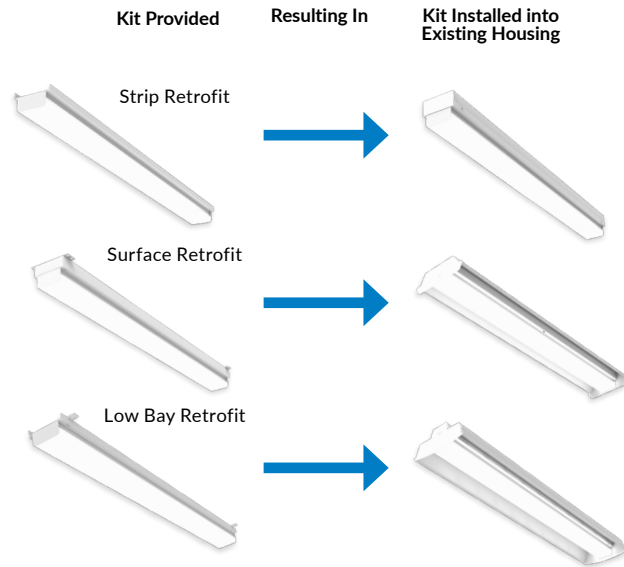


407-478-3759  
ilp-inc.com

## LINEAR RETROFIT

### FEATURES

- Highly Configurable & Adaptable BAA Linear Retrofit
- Three Mounting Types – Strip, Surface, and Low Bay
- Strip Mounting Type Available with Fixed 4.3" & 5.0", Adjustable 2.8" to 5.5", and Custom Width Channel Options
- 4ft & 8ft Lengths Available
- 8 Lumen Packages Ranging 2,000 – 12,000
- 3500K, 4000K, 5000K CCT options
- Exceptionally High Efficiency up to 180 lm/W
- Precision Designed Curved & Flat Frosted Acrylic Lens Options
- 120-277V 0-10V
- Calculated L70 > 100,000 Hours
- -40°F up to 123°F Ambient Temperature Range
- ETL Listed for Dry and Damp Locations
- 5 Year Warranty (Standard); 10 Year Warranty Optional
- DesignLights Consortium® Premium Qualified Luminaire
- Build America Buy America (BABA) Compliant



### SUITABLE APPLICATIONS

- Education • Healthcare • Offices • Grocery Store
- Retail • Storage Facility • Residential • Stairwell



### ORDERING GUIDE:

SERIES	LUMENS	LIGHT ENGINE	DRIVER	CCT	LENS OPTIONS	MOUNTING TYPE <sup>2</sup>	WARRANTY	COMPLIANCE
VLR4	2L	HE	U 120-277V	35	FFLGR	43ST Fixed 4.3" Strip Channel Width 50ST Fixed 5.0" Strip Channel Width ADJST Adjustable Width Bracket Strip Channel (2.8" / 3.6 / 4.3" / 5.0" / 5.5")	(BLANK) 5 YR Std. 10YR 10 YR	BABA Build America Buy America Compliant
	3L	High Efficacy		40	FCLGR			
	4L			50				
	6L							
VLR8	5L					SF Surface		
	6L					LB Low Bay		
	8L							
	10L							
	12L							

#### OPTIONS

##### Factory Installed

- RW/3W<sup>2</sup> 3 Wire Raceway Wiring Harness for continuous wiring through fixtures (non-dim function)
- RW/5W<sup>2</sup> 5 Wire Raceway Wiring Harness for continuous wiring through fixture (dimming)
- EM10/BABA<sup>5</sup> 10W LED Battery Backup - BABA Compliant - CEC Title 20 Compliant

##### Ship With Accessories

- WC<sup>3</sup> 11ga Unpainted Galvanized Finish Wire Cage
- RS<sup>4</sup> Reflector Kit, Symmetrical, White
- RA<sup>4</sup> Reflector Kit, Asymmetrical, White

<sup>1</sup> See pages 4-8 for line drawings

<sup>2</sup> Used only when mounting fixtures in continuous rows. One needed between each fixture.

<sup>3</sup> Only available with 43ST mounting type

<sup>4</sup> Only available with 43ST and 50ST mounting type

<sup>5</sup> Operation down to 32°F

## LED SYSTEMS INFORMATION

LED SYSTEMS INFO <sup>2</sup>	LENS	3500K		4000K		5000K		WATTAGE <sup>3</sup>	REPLACES	DLC <sup>1</sup>
Part Numbers		Lumens	Efficacy	Lumens	Efficacy	Lumens	Efficacy			
VLR4-2LHE	No Lens	2820	168.0	2881	171.8	2962	175.8	16.8	1T8	Standard
	FCLGR	2668	159.1	2743	162.8	2802	166.6			Standard
	FFLGR	2681	160.0	2740	163.6	2816	167.3			Standard
VLR4-3LHE	No Lens	3788	162.1	3865	165.9	3958	169.7	23.3	2T8	Standard
	FCLGR	3584	153.6	3656	157.2	3745	160.9			Standard
	FFLGR	3602	154.3	3675	158.0	3763	161.6			Standard
VLR4-4LHE	No Lens	4499	159.0	4586	162.3	4708	166.1	28.3	2T8	Standard
	FCLGR	4257	150.3	4355	153.8	4454	157.4			Standard
	FFLGR	4278	151.0	4377	154.5	4476	158.1			Standard
VLR4-6LHE	No Lens	6581	147.0	6744	150.6	6911	154.1	44.8	3T8	Premium <sup>4</sup>
	FCLGR	6254	139.5	6396	142.8	6539	146.0			Premium <sup>4</sup>
	FFLGR	6271	140.0	6427	143.4	6571	146.7			Premium <sup>4</sup>
VLR8-5LHE	No Lens	5179	172.9	5286	176.5	5411	180.7	30.0	2T8	Standard
	FCLGR	4892	163.3	5009	167.2	5119	170.9			Standard
	FFLGR	4916	164.1	5034	168.1	5145	171.8			Standard
VLR8-6LHE	No Lens	6553	168.9	6699	172.7	6854	176.6	38.8	4T8	Standard
	FCLGR	6207	160.0	6349	163.6	6496	167.4			Standard
	FFLGR	6227	160.5	6382	164.5	6528	168.3			Standard
VLR8-8LHE	No Lens	9796	157.0	9998	160.2	10236	163.9	62.4	2T5HO	Standard
	FCLGR	9253	148.3	9475	151.8	9684	155.3			Standard
	FFLGR	9299	149.0	9522	152.5	9732	156.0			Standard
VLR8-10LHE	No Lens	10638	152.0	10899	155.8	11148	159.3	70.0	2T5HO	Standard
	FCLGR	10094	144.2	10327	147.6	10563	151.0			Standard
	FFLGR	10145	145.0	10378	148.3	10616	151.7			Standard
VLR8-12LHE	No Lens	13107	148.0	13404	151.3	13721	154.8	88.6	6T8	Standard
	FCLGR	12415	140.1	12711	143.4	12997	146.7			Standard
	FFLGR	12491	141.0	12760	144.1	13062	147.4			Standard

<sup>1</sup>Please check DLC website for updates and current listing <sup>2</sup>Values are nominal, check IES file for more detail <sup>3</sup>2 Electrical data at 25C (77F). Actual wattage may differ by +/-10%

<sup>4</sup>Only VLR4-6LHE-LB is DLC Premium Listed. All other configurations are DLC Standard Listed

## ELECTRICAL DATA (AMPS)

Lumen Package	Wattage <sup>1</sup>	120V	208V	240V	277V	347V	480V
VLR4-2LHE	16.8	0.14	0.08	0.07	0.06	0.05	0.04
VLR4-3LHE	23.3	0.19	0.11	0.10	0.08	0.06	0.05
VLR4-4LHE	28.3	0.24	0.14	0.12	0.10	0.08	0.06
VLR4-6LHE	44.8	0.37	0.22	0.19	0.16	0.13	0.09
VLR8-5LHE	30.0	0.25	0.14	0.13	0.11	0.08	0.06
VLR8-6LHE	38.8	0.32	0.19	0.16	0.14	0.11	0.08
VLR8-8LHE	62.4	0.52	0.3	0.26	0.23	0.18	0.13
VLR8-10LHE	70.0	0.58	0.34	0.29	0.25	0.20	0.15
VLR8-12LHE	88.6	0.74	0.43	0.37	0.32	0.26	0.18

<sup>1</sup>Electrical data at 25C (77F). Actual wattage may differ by +/-10%

## SPECIFICATIONS

### CONSTRUCTION

Steel housing channel for rigidity, durability, and ease of installation. Designed to achieve maximum performance and improved aesthetics. Designed to retrofit existing fluorescent strip, surface, and low bay fixtures. Product proudly assembled in the United States of America.

### ELECTRICAL

Class 2 LED light engine for high efficacy and long life. Calculated L70 > 100,000 hrs and L90 > 54,000hrs. LED Lumen Maintenance Estimates based on TM-21 projections for the light source at 25°C ambient. Power Factor > 0.90. THD < 20%. Standard 120-277 Vac 0-10V dimmable (10%-100%).

### INSTALLATION

Designed to retrofit existing fluorescent strip, surface, and low bay fixtures. Strip mounting type offers fixed 4.3", 5.0", and Adjustable 2.8"/4.3"/5.0"/5.5" channel width options to mount to existing housings. Custom width options available as well; contact factory for more information. Surface mounting type standard with 5.6" width channel. Low Bay mounting type standard with 6.3" width channel. ILP recommends a trial installation prior to ordering project quantities.

### OPTICS

Standard without lens. Optional high impact resistant Curved and Flat Frosted Glare Reducing Acrylic lens available for durability and LED Glare reduction. Field removable lens section for easy access to driver channel for installation and maintenance.

### CERTIFICATIONS

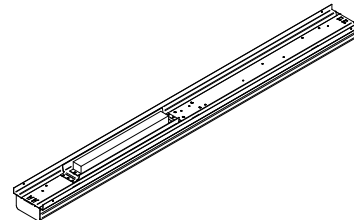
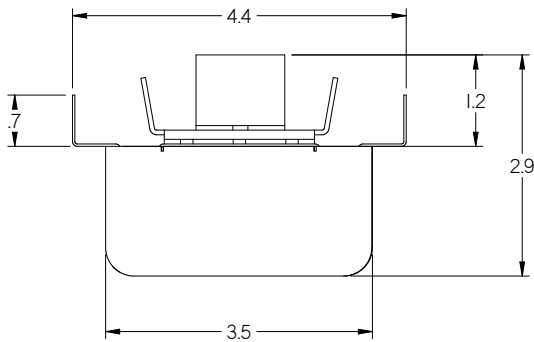
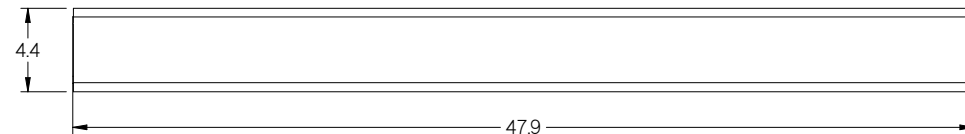
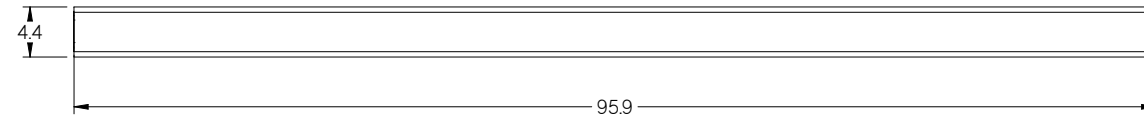
ETL Listed to US and Canadian safety standards. Suitable for damp locations. Title 24 Compliant with sensor option; see local ordinance for qualification information. BABA Compliant. DLC (DesignLights Consortium) Premium and Standard Qualified. Please refer to the DLC Qualified Products List at [www.Designlights.org/QPL](http://www.Designlights.org/QPL) to confirm specific product qualifications.

### WARRANTY

5 Year Warranty Standard; 10 Year Warranty Optional ([Terms and Conditions](#) apply).

## LINE DRAWINGS

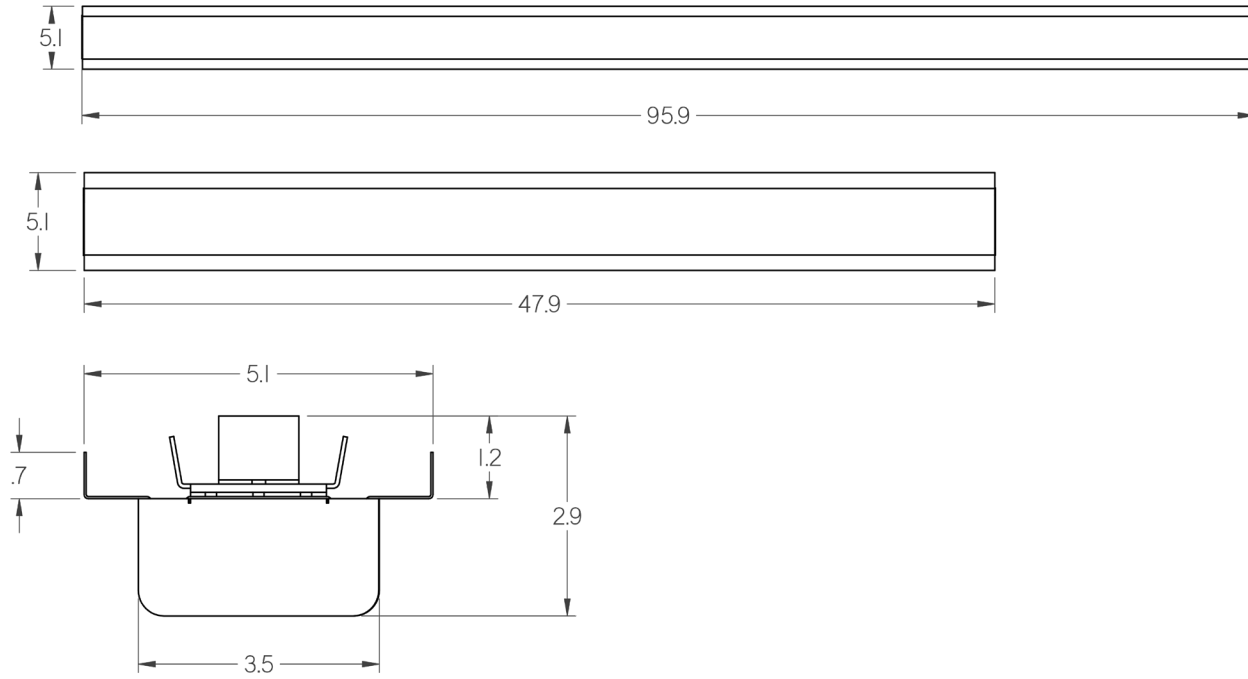
### FIXED 4.3" WIDE STRIP RETROFIT 43ST MOUNTING TYPE



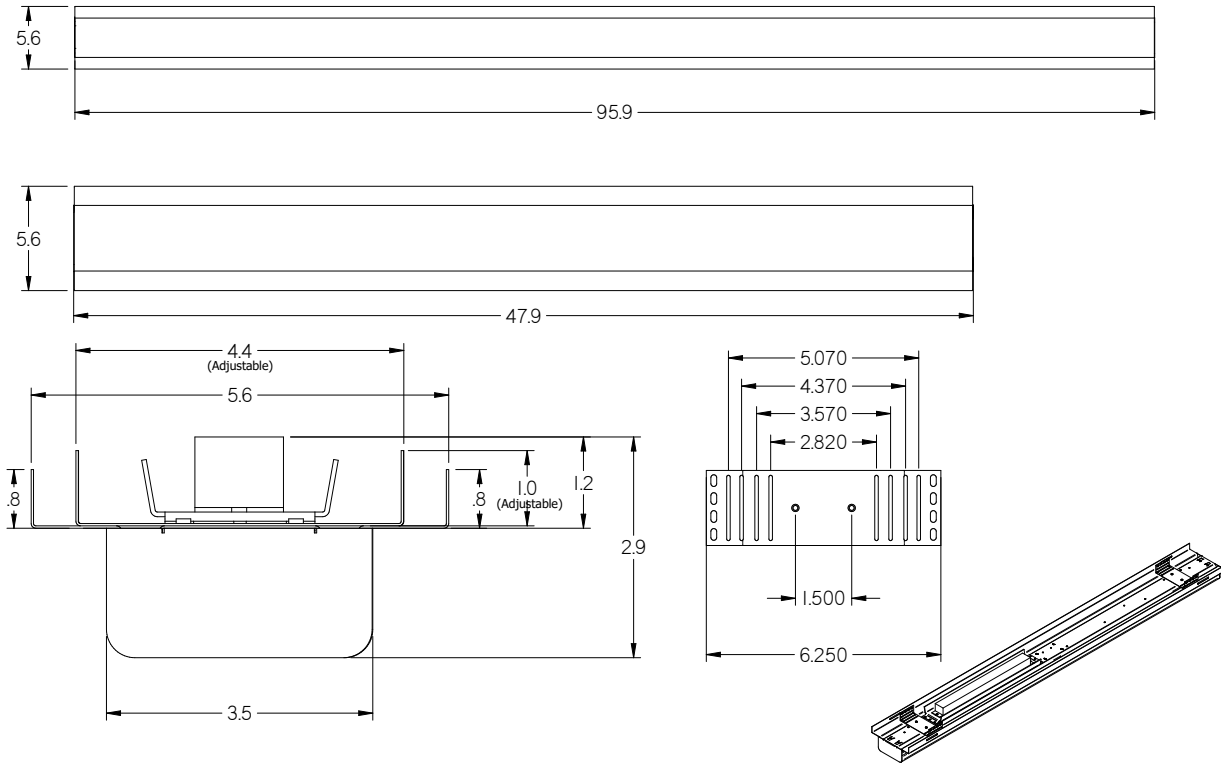
## LINEAR RETROFIT

### LINE DRAWINGS

#### FIXED 5.0" WIDE STRIP RETROFIT 50ST MOUNTING TYPE



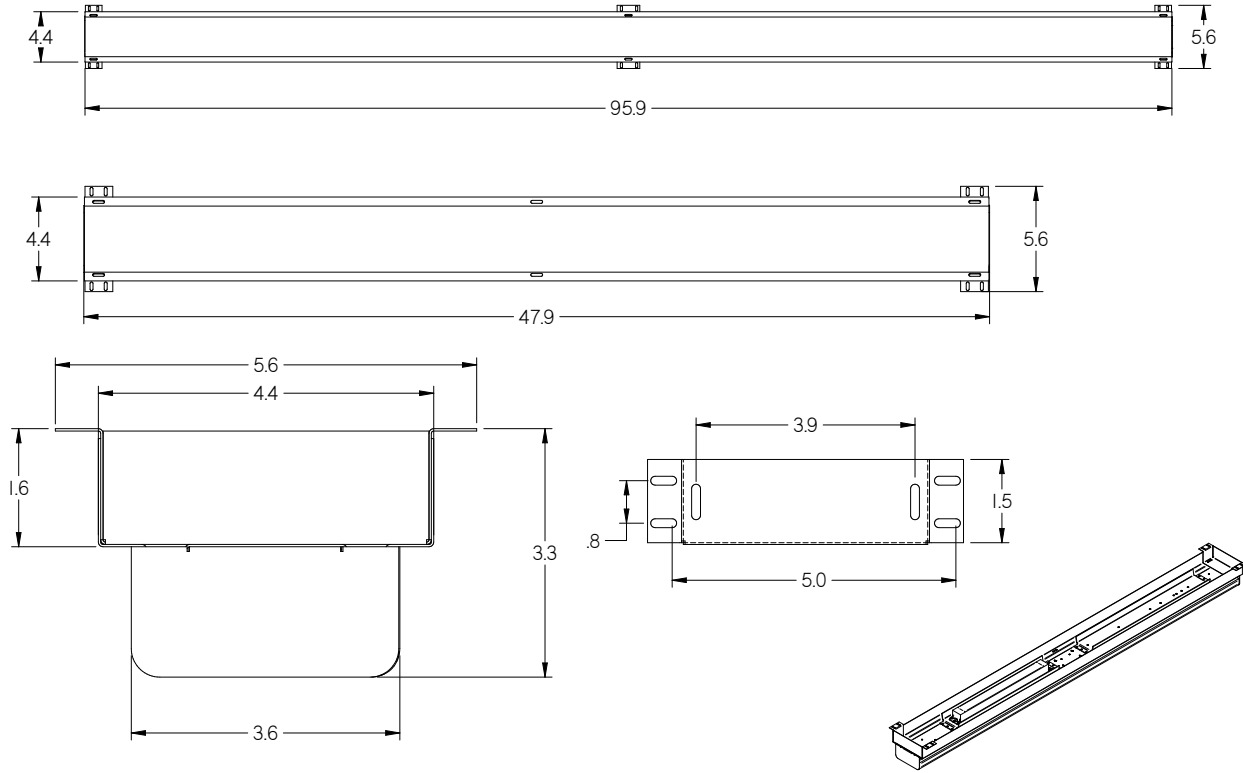
#### ADJUSTABLE STRIP RETROFIT - ADJST MOUNTING TYPE



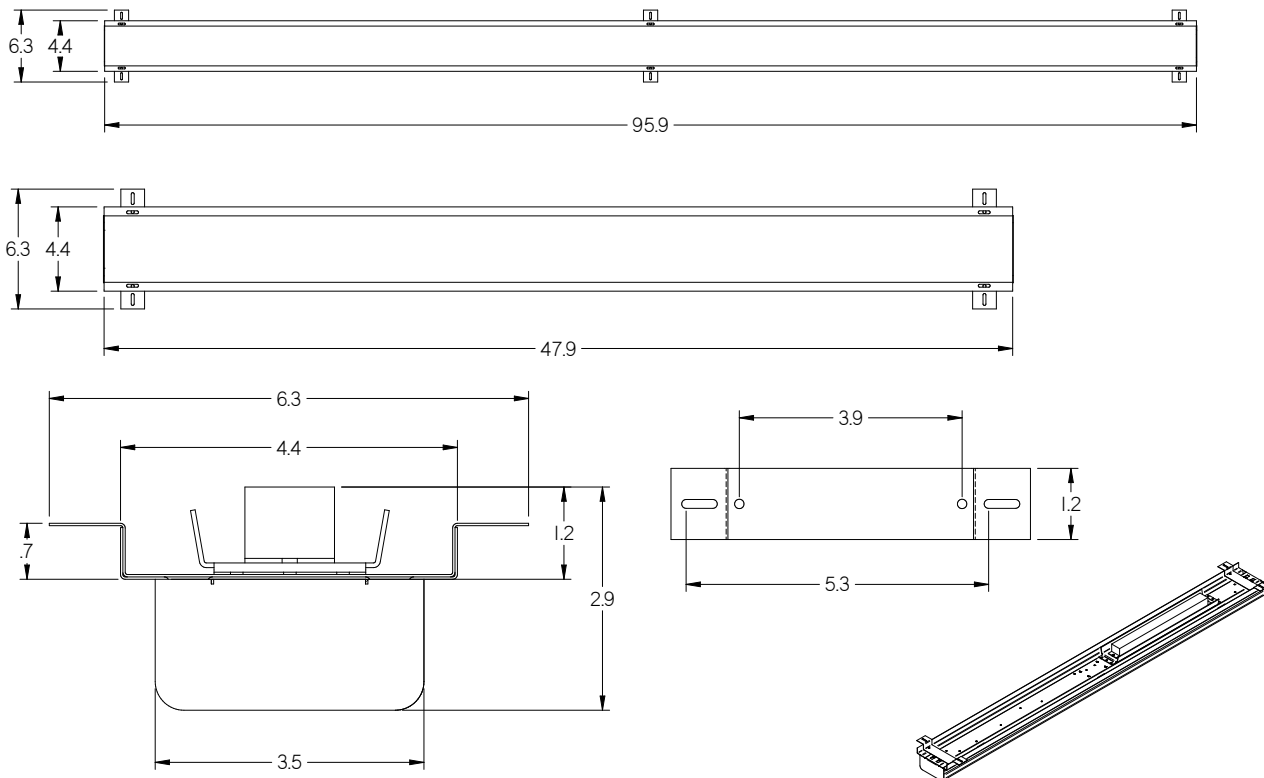
# LINEAR RETROFIT

## LINE DRAWINGS

### SURFACE RETROFIT - SF MOUNTING TYPE



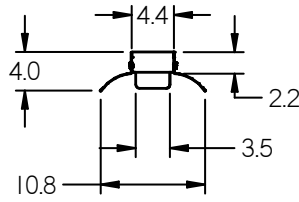
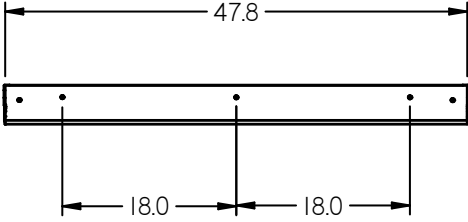
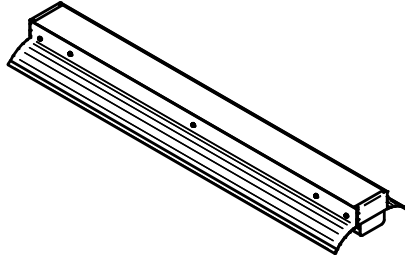
### LOWBAY RETROFIT - LB MOUNTING TYPE



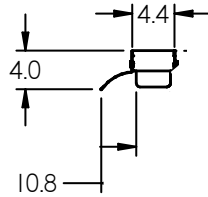
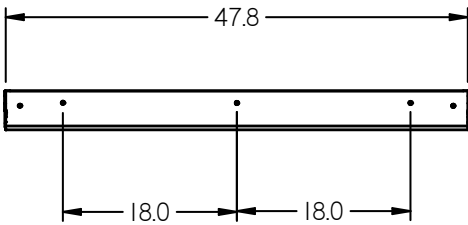
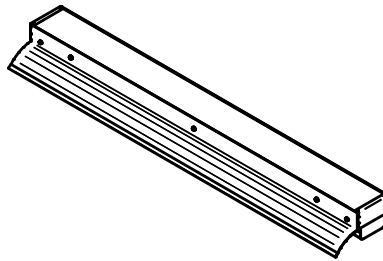
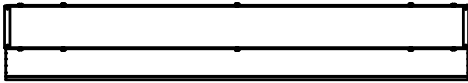
## LINEAR RETROFIT

### LINE DRAWINGS

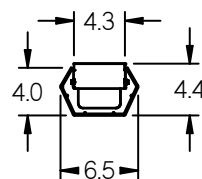
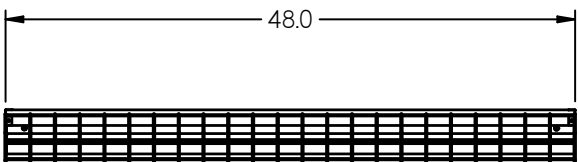
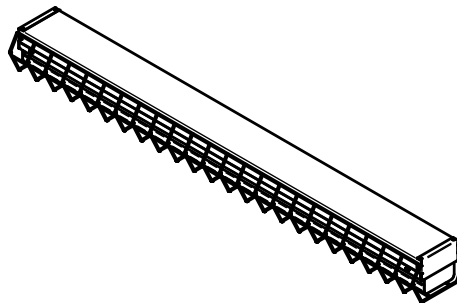
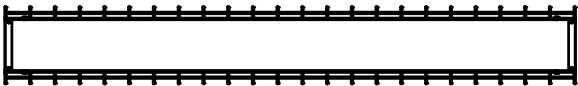
#### SYMMETRICAL REFLECTOR OPTION - RS<sup>1</sup>



#### ASYMMETRICAL REFLECTOR OPTION - RA<sup>1</sup>



#### VLR4 WIRE CAGE<sup>1</sup>



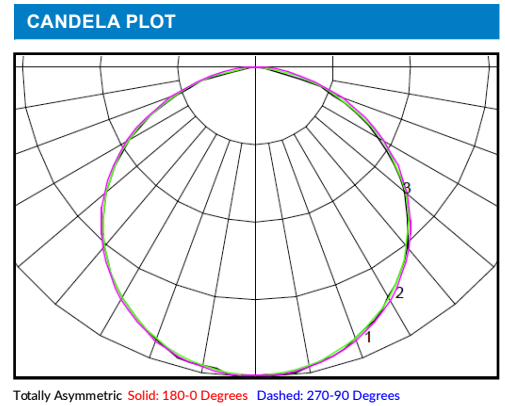
<sup>1</sup> Exact dimensions may differ based on type of housing used.  
Use for general dimension estimation only.

# LINEAR RETROFIT

## PHOTOMETRIC DATA

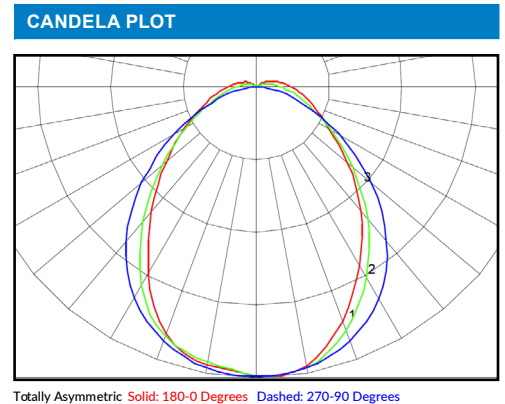
LUMINAIRE DATA	
Part Number	VLR4-3LHE-U-40
Description	VARI 4ft High Efficacy Linear Retrofit, 3,000 Lumens, No Lens.
Fixture Lumens (lm)	3865
Wattage (W)	23.3
Efficacy (lm/W)	165.9
Mounting	Fixed Strip, Adjustable Strip, or Surface
Spacing Criteria	0° = 1.3, 90° = 1.3

ZONAL LUMEN SUMMARY		
Zone	Lumens (lm)	% Fixture
0° - 40°	1720	44.50%
0° - 60°	3096	80.10%
0° - 90°	3865	100.00%
90° - 180°	0	0.00%
0° - 180°	3865	100.00%



LUMINAIRE DATA	
Part Number	VLR4-3LHE-U-40-FCLGR
Description	VARI 4ft High Efficacy Linear Retrofit, 3,000 Lumens, Frosted Glare-Reducing Curved Lens.
Fixture Lumens (lm)	3656
Wattage (W)	23.3
Efficacy (lm/W)	157.2
Mounting	Fixed Strip, Adjustable Strip, or Surface
Spacing Criteria	0° = 1.1, 90° = 1.26

ZONAL LUMEN SUMMARY		
Zone	Lumens (lm)	% Fixture
0° - 40°	1733	47.40%
0° - 60°	2800	76.60%
0° - 90°	3499	95.70%
90° - 180°	157	4.30%
0° - 180°	3656	100.00%



LUMINAIRE DATA	
Part Number	VLR4-3LHE-U-40-FFLGR
Description	VARI 4ft High Efficacy Linear Retrofit, 3,000 Lumens, Frosted Glare-Reducing Flat Lens.
Fixture Lumens (lm)	3675
Wattage (W)	23.3
Efficacy (lm/W)	158.0
Mounting	Fixed Strip, Adjustable Strip, or Surface
Spacing Criteria	0° = 1.16, 90° = 1.26

ZONAL LUMEN SUMMARY		
Zone	Lumens (lm)	% Fixture
0° - 40°	1694	46.10%
0° - 60°	2815	76.60%
0° - 90°	3502	95.30%
90° - 180°	173	4.70%
0° - 180°	3675	100.00%

