



# VALUE LANCE

## TROFFER RETROFIT KIT



407-478-3759  
www.ilp-inc.com

### FEATURES

- LED Retrofit Kit for recessed lighting applications
- One-piece unit with two universal mounting brackets
- Universal brackets allow for installation in grid or hard lid ceilings
- Average install time less than 3 minutes
- Frosted acrylic lens
- 2x2 & 2x4 sizes available
- Advanced Control option
- BAA Compliant option available
- 3500K & 4000K CCT
- >80 Color Rendering Index (CRI)
- Calculated L70>100,000 hours
- 0-10V Dimmable Driver (100% - 10%)
- 120-277V Universal Driver
- 5 Year Warranty (std); 10 Year Warranty Optional
- UL Classified for Damp Locations
- DesignLights Consortium® Premium Qualified Luminaire



### SUITABLE APPLICATIONS

- Education
- Healthcare
- Offices
- Hallways
- Multipurpose Rooms
- Conference Rooms

### ORDERING GUIDE:

SERIES	LUMENS	DRIVER	CCT	BAA	WARRANTY
VLN22 Value LANCE Troffer Kit 2' x 2'	3L	U 120-277V	40	BLANK	BLANK 5 Year
	4L		35	BAA <sup>4</sup>	10YR <sup>5</sup> 10 Year
VLN24 Value LANCE Troffer Kit 2' x 4'	3L				
	4L				

OPTIONS	CONTROLS
Factory Installed	Advanced
<b>SR</b> Sensor Ready Driver	<b>ESMC</b> <sup>1,3</sup> EasySense Sensor
<b>DR</b> Dali Ready Driver	<b>5E/CU/CL</b> <sup>3</sup> Enlighted 5E Connected Lighting (CL) Sensor w/ Control Unit
<b>BLD</b> Bi-level Dimming Driver with 2 Hot Leads	<b>5E/CU/IOT</b> <sup>3</sup> Enlighted 5E Internet of Things (IOT) Sensor w/ Control Unit
<b>EM5</b> 5W LED Factory Installed Battery Backup	<b>5E/5W/CL</b> <sup>3</sup> Enlighted 5E Connected Lighting (CL) Sensor w/ Aux Driver/5 Wire Connection
<b>EM5/HE</b> 5W LED Factory Installed Battery Backup - CEC Title 20 Compliant	<b>5E/5W/IOT</b> <sup>3</sup> Enlighted 5E Internet of Things (IOT) Sensor w/ Aux Driver/5 Wire Connection
<b>EM7</b> 7W LED Factory Installed Battery Backup	<b>VDO</b> <sup>2,3</sup> Lutron Vive DFCSJ-OEM-OCC (Daylight and Occupancy)
<b>EM7/HE</b> 7W LED Factory Installed Battery Backup - CEC Title 20 Compliant	<b>VRF</b> <sup>2,3</sup> Lutron Vive DFCSJ-OEM-RF (Radio Frequency Only)
<b>EM10</b> 10W LED Factory Installed Battery Backup	<b>AWN</b> Lutron Athena Wireless Node RF only
<b>EM10/HE</b> 10W LED Factory Installed Battery Backup - CEC Title 20 Compliant	<b>AWNS</b> Lutron Athena Wireless Node with Sensor
<b>EM10/HE/SD</b> <sup>4</sup> 10W Factory Installed Self Diagnostic Battery Backup	<b>Ship With Accessories</b>
	<b>ESMC/WWS/DR</b> EasySense Dual Rocker Wireless Wall Switch

<sup>1</sup> Easily Controlled via Mobile Phone with Bluetooth App  
<sup>2</sup> Must be used with SR Sensor Ready Driver

<sup>3</sup> View controls page for more detail (pg.3)  
<sup>4</sup> Consult Factory

<sup>5</sup> Contact Factory for more details  
<sup>6</sup> CEC Title 20 Compliant

# VALUE LANCE

## TROFFER RETROFIT KIT



### QUICK SHIP ITEMS:

SERIES	LUMENS	DRIVER	CCT
VLN22 Value LANCE Troffer Kit 2' x 2'	3L	U 120-277V	40
	4L		35
VLN24 Value LANCE Troffer Kit 2' x 4'	3L		
	4L		

## LED SYSTEMS INFO

PART NUMBER	LUMENS	WATTS	EFFICACY	REPLACES	DLC LISTING
VLN22-3L-U-40	3,284 lm	25 W	133 lm/W	2T8	Standard
VLN22-4L-U-40	4,491 lm	35 W	129 lm/W	3T8	Standard
VLN24-3L-U-40	3,369 lm	25 W	137 lm/W	2T8	Premium
VLN24-4L-U-40	4,582 lm	35 W	132 lm/W	3T8	Premium

LED System data above was tested at 120V on VLN22-3L-U-40, VLN22-4L-U-40, VLN24-3L-U-40, VLN24-4L-U-40

PART NUMBER	LUMENS	WATTS	EFFICACY	REPLACES	DLC LISTING
VLN22-3L-U-35	3,225 lm	25 W	132 lm/W	2T8	Standard
VLN22-4L-U-35	4,425 lm	35 W	128 lm/W	3T8	Standard
VLN24-3L-U-35	3,310 lm	24 W	136 lm/W	2T8	Standard
VLN24-4L-U-35	4,515 lm	35 W	131 lm/W	3T8	Standard

LED System data above was tested at 120V on VLN22-3L-U-35, VLN22-4L-U-35, VLN24-3L-U-35, VLN24-4L-U-35 .

## SPECIFICATIONS

### CONSTRUCTION

Post painted white steel body for maximum rigidity and durability. One-piece unit with two universal mounting brackets for quick and easy installation into grid and hard-lid ceilings.

### ELECTRICAL

Class 2 LED light engine for high efficacy and long life. Calculated L70 > 100,000 hours. LED Lumen Maintenance Estimates based on TM-21 projections for the light source at 25°C ambient. Power Factor > 0.90. Standard 120-277 Vac 0-10V dimmable (10%-100%). Optional Sensor Ready and DALI ready drivers for pairing with controls and integrated controls networks.

### MOUNTING

One-piece door frame light engine with two universal mounting brackets for easy installation. The one-piece door frame can be hinged to the universal mounting brackets for the completion of installation. See page 3 for step-by-step troffer kit installation instructions.

### WARRANTY

5 Year Warranty Standard; 10 Year Warranty Optional ([Terms and Conditions apply](#)).

### OPTICS

Standard PMMA frosted acrylic volumetric lens for durability and LED glare reduction. Removeable lens for easy access to LED boards and maintenance.

### TROFFER COMPATIBILITY

VLN is designed to fit into most existing parabolic and lensed troffers with a housing depth of 3 1/8" or greater. ILP recommends a test installation prior to ordering project quantities. Contact factory for additional troffer compatibility confirmation. VLN maintains insulation contact (IC) rating of existing fixture.

### CONTROLS

Factory installed Advanced integral EasySense option available. Sensor mounts within the body of the fixture.

### CERTIFICATIONS

UL Classified to US and Canadian safety standards. Suitable for damp locations. DLC (DesignLights Consortium) Premium Qualified. Please refer to the DLC Qualified Products List at [www.designlights.org/QPL](http://www.designlights.org/QPL) to confirm specific product qualifications.

# VALUE LANCE

## TROFFER RETROFIT KIT

### ADVANCED CONTROLS OPTIONS

#### EASYSENSE

##### ESMC

EasySense sensor combines occupancy sensing, daylight harvesting and institutional tuning in one compact solution. This is an ideal control for any Commercial application. Each device allows you to turn on/off occupancy and/or daylight harvesting functions as well as set the full light output, background light level, occupancy prolong time, occupancy grace fading time & occupancy time out/hold time. It can be easily controlled via the Philips MasterConnect Bluetooth App on a mobile phone.



##### ESMC/WWS/DR

Optional Wireless / Batteryless Dual Rocker Wall Switch. Up to 100ft range. Functions include: On/Off, dimming and setting of (2) scenes for full room control.

##### Specifications:

- Wireless
- ZigBee®
- Batteryless
- 30-100ft Range
- Dual Rocker

##### Functions:

1. On (Hold to brighten up)
2. Off (Hold to dim down)
3. Scene 1
4. Scene 2



#### ENLIGHTED

##### 5E/CU/CL

Bundled System with Enlighted 5E sensor (SU-5E-CL), Control Unit (CU-4E-FM) and Cable (CBL-5E-CU4-30N). Fixtures are controlled based on occupancy and ambient light. Includes individual lighting control plus connection to Enlighted Energy Manager. The Energy Manager provides data analysis for all data collected by the Enlighted Smart Sensors for energy, occupancy and environment. Provided with factory installed components only. Enlighted system provided by others. Contact factory for more information. (see image above)

##### 5E/CU/IOT

Bundled System with Enlighted 5E sensor (SU-5E-IOT), Control Unit (CU-4E-FM) and Cable (CBL-5E-CU4-30N). Fixtures are controlled based on occupancy and ambient light. Includes individual lighting control plus connection to Enlighted Energy Manager. Energy Manager provides data analysis for all data collected by Enlighted Smart Sensors for energy, occupancy & environment. Additionally, the IOT functionality takes the data access and function beyond just lighting to a wide range of applications beyond the standard connected lighting controls. Provided with factory installed components only. Enlighted system provided by others. Contact factory for more information. (see image above)

##### 5E/5W/CL

Bundled System with Enlighted 5E sensor (SU-5E-CL) & Cable (CBL-5E-CU4-30N) paired with a driver with auxiliary power & 5 wire connection. Fixtures are controlled based on occupancy and ambient light. Includes individual lighting control plus connection to Enlighted Energy Manager. The Energy Manager provides data analysis for all data collected by the Enlighted Smart Sensors for energy, occupancy and environment. Provided with factory installed components only. Enlighted system provided by others. Contact factory for more information. (see image above)

##### 5E/5W/IOT

Bundled System with Enlighted 5E sensor (SU-5E-IOT) & Cable (CBL-5E-CU4-30N) paired w/ a driver w/ auxiliary power and 5 wire connection. Fixtures are controlled based on occupancy & ambient light. Includes individual lighting control plus connection to Enlighted Energy Manager. The Energy Manager provides data analysis for all data collected by Enlighted Smart Sensors for energy, occupancy & environment. Additionally, the IOT functionality takes the data access and function beyond just lighting to a wide range of applications beyond the standard connected lighting controls. Provided with factory installed components only. Enlighted system provided by others. Contact factory for more information. (see image above)

#### LUTRON

##### VDO

Vive DFCSJ-OEM-OCC integral fixture control sensor with daylight & occupancy. Vive provides intuitive programming allowing for maximum flexibility with wireless communication & sensing as desired. Provided with factory installed components only. Lutron system provided by others. Sensor must be used in conjunction with Pico Switch/Dimmer. Cannot be used in conjunction with mechanical on/off power switch. Contact factory for more information.



##### VRF

Vive DFCSJ-OEM-RF integral fixture control with Radio Frequency (RF) communication. Vive provides intuitive programming allowing for maximum flexibility with wireless communication as desired. Provided with factory installed components only. Lutron system provided by others. Sensor must be used in conjunction with Pico Switch/Dimmer. Cannot be used in conjunction with mechanical on/off power switch. Contact factory for more information.



##### AWNR

Athena wireless node is a radio frequency (RF) device that enables simple, digital control of individual light fixtures in an Athena control system. Enables individual wireless control of each fixture in an Athena control system. Accommodates zone and control changes without rewiring. All drivers on the link are controlled as a single zone. Provided with factory installed components only. Lutron Athena system provided by others.



##### AWNS

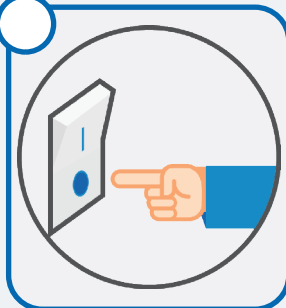
Athena wireless node with a sensor that enables simple, digital control of individual light fixtures in an Athena control system. Provides wireless control of the fixture and includes a passive infrared (PIR) sensor for occupancy and a daylight sensor. Enables individual wireless control of each fixture in an Athena control system. Accommodates zone and control changes without rewiring. All drivers on the link are controlled as a single zone. Provided with factory installed components only. Lutron Athena system provided by others.



# VALUE LANCE

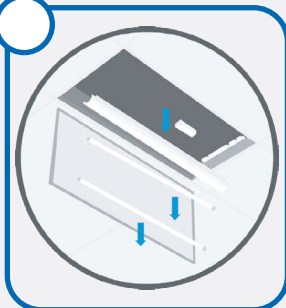
## TROFFER RETROFIT KIT

### TROFFER KIT INSTALLATION INSTRUCTIONS



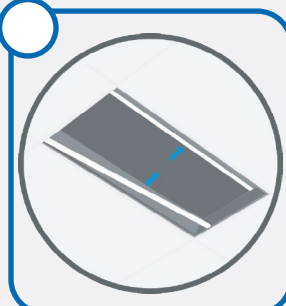
**STEP 1**

Shut off or disconnect power to the fixture.



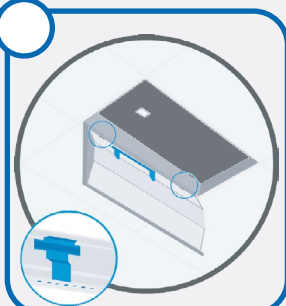
**STEP 2**

Remove existing fluorescent lamps and components, then disconnect existing connections to the fluorescent ballast.



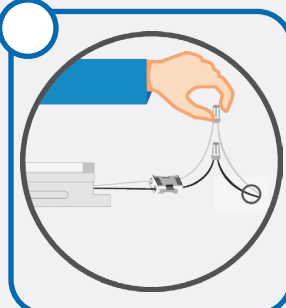
**STEP 3**

Gently lift the original housing and insert the brackets between the housing and the T-grid. Allow the housing to rest on the brackets, securing them in place. Optional tether included on the mounting brackets to secure the kit to the housing.



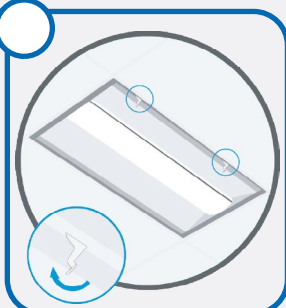
**STEP 4**

Hang the Value LANCE body by hooking the T-hinges into the respective slots in the bracket.



**STEP 5**

Connect the Value LANCE to AC power and ground.



**STEP 6**

Rotate the Value LANCE body up into the fixture and close the latches. Turn on or reconnect power to the fixture to complete the installation.

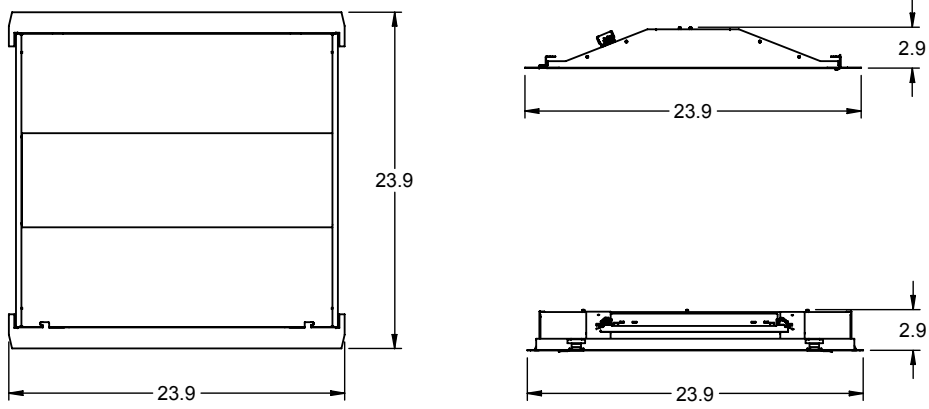
ILP recommends a test installation prior to ordering project quantities.

# VALUE LANCE

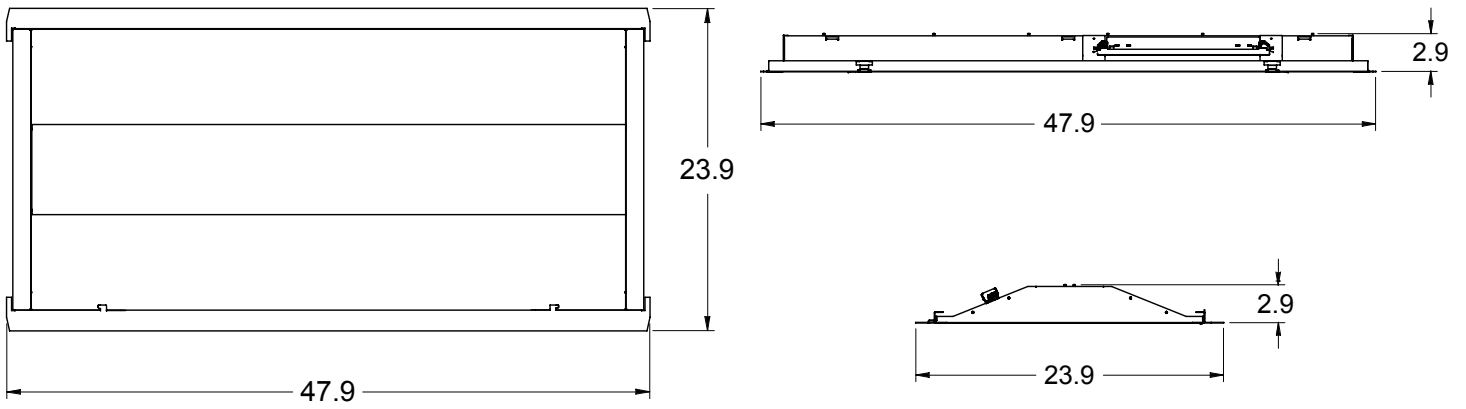
## TROFFER RETROFIT KIT

### LINE DRAWINGS

2 x 2 Dimensions



2 x 4 Dimensions



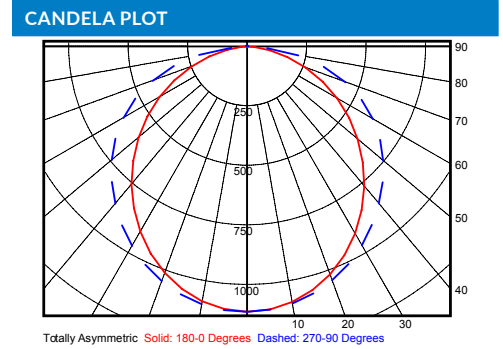
# VALUE LANCE

## TROFFER RETROFIT KIT

### PHOTOMETRIC DATA

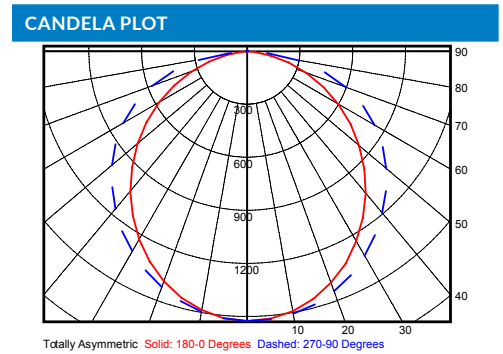
LUMINAIRE DATA	
Part Number	VLN22-3L-U-40
Description	Value LANCE Troffer Kit, 2'x2', 3000lm, 4000K
Fixture Lumens (lm)	3,295 lm
Wattage (W)	25 W
Efficacy (lm/W)	134 lm/W
Mounting	Recessed
Spacing Criteria	0° = 1.22, 90° = 1.30

ZONAL LUMEN SUMMARY		
Zone	Lumens (lm)	% Fixture
0° - 40°	1,410	43%
0° - 60°	2,516	76%
0° - 90°	3,288	100%
90° - 180°	4	0%
0° - 180°	3,292	100%



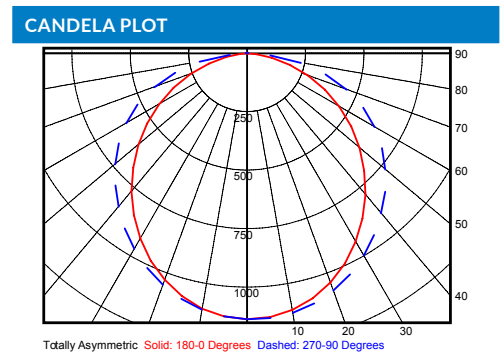
LUMINAIRE DATA	
Part Number	VLN22-4L-U-40
Description	Value LANCE Troffer Kit, 2'x2', 4000lm, 4000K
Fixture Lumens (lm)	4,511 lm
Wattage (W)	35 W
Efficacy (lm/W)	129 lm/W
Mounting	Recessed
Spacing Criteria	0° = 1.22, 90° = 1.32

ZONAL LUMEN SUMMARY		
Zone	Lumens (lm)	% Fixture
0° - 40°	1,929	43%
0° - 60°	3,441	76%
0° - 90°	4,500	100%
90° - 180°	8	0%
0° - 180°	4,507	100%



LUMINAIRE DATA	
Part Number	VLN24-3L-U-40
Description	Value LANCE Troffer Kit, 2'x4', 3000lm, 4000K
Fixture Lumens (lm)	3,375 lm
Wattage (W)	25 W
Efficacy (lm/W)	137 lm/W
Mounting	Recessed
Spacing Criteria	0° = 1.22, 90° = 1.32

ZONAL LUMEN SUMMARY		
Zone	Lumens (lm)	% Fixture
0° - 40°	1,437	43%
0° - 60°	2,564	76%
0° - 90°	3,368	100%
90° - 180°	5	0%
0° - 180°	3,373	100%



LUMINAIRE DATA	
Part Number	VLN24-4L-U-40
Description	Value LANCE Troffer Kit, 2'x4', 4000lm, 4000K
Fixture Lumens (lm)	4,590 lm
Wattage (W)	35 W
Efficacy (lm/W)	132 lm/W
Mounting	Recessed
Spacing Criteria	0° = 1.22, 90° = 1.32

ZONAL LUMEN SUMMARY		
Zone	Lumens (lm)	% Fixture
0° - 40°	1,952	43%
0° - 60°	3,482	76%
0° - 90°	4,578	100%
90° - 180°	9	0%
0° - 180°	4,586	100%

