

AMBER FULL CUTOFF WALL PACK - 50W

OUTDOOR



407-478-3759
www.ilp-inc.com

FEATURES

- Die-cast aluminum housing
- Type II, III, and IV optics available
- Hinged full cutoff front frame
- ½" Coin plugs with o-rings for conduit or optional photocell
- Textured architectural bronze powdercoat finish over a chromate conversion coating
- Cast-in template for mounting directly over a 4" recessed outlet box
- Amber LEDs 585-595 nm Dominant Wave Length
- ETL Listed for wet locations
- Dark Sky Compliant
- Custom colors available upon request
- 5 Year warranty



SUITABLE APPLICATIONS

- Parking Lots
- Beachfront Buildings
- Pathways
- Pool Decks
- Hotels
- Retail
- Shopping Centers
- Condominium

LED SYSTEMS INFO		T4	FWC
Calculated L70	AMBER	>33.3K	>33.3K
Delivered Lumens		1,756 lm	818 lm
Total Input Watts		50 W	50 W
Maximum Ambient Temperature		120°F	120°F
Universal Driver		120-277 V	120-277 V
<small>LED system data above is based and scaled Goniphotometer results. Note: IES file available for T4 and FWC configuration. Note: FWC system data is based on T4 and FGS options installed. Note: FWC has T4 optics and FGS as standard options.</small>			



FGS option available:



Wildlife Lighters Certification Number: 2018-03

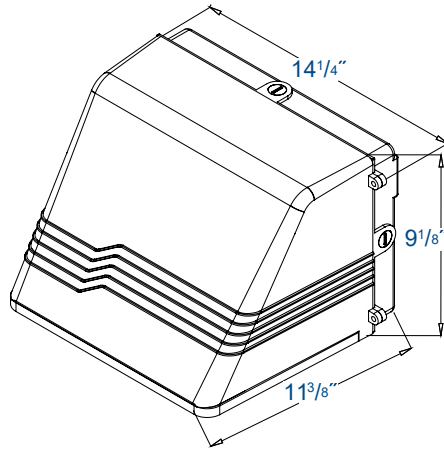
ORDERING GUIDE:

Series	Watts	Driver	Color	Optics	Options
WPCS Full Cutoff Wall Pack	50WLED	UNIV 120-277V	AMBER	T2 T3 T4	FGS Front Side Glare Shield PCU Electronic UNIV Photocell (120-277V) FI/ILBCP05 5W LED Factory Installed Battery Backup SP1 10KA Univolt Surge Protection SP2 22KA Univolt Surge Protection

AMBER FULL CUTOFF WALL PACK - 50W

OUTDOOR

LINE DRAWING

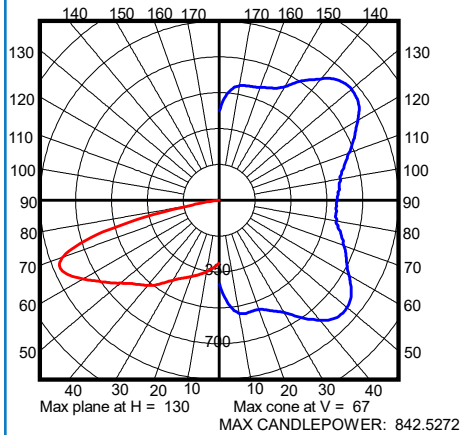


WPCS-50WLED-UNIV-AMBER-T4

SUMMARY DATA

HEMISPHERES TESTED:	BOTH
EFFICIENCY (Downlight/Uplight):	101.3 % / 0.0 %
EFFICIENCY (Street/House):	50.4 % / 50.9 %
ROADWAY CLASSIFICATION:	TYPE IV, SHORT
CUTOFF CLASSIFICATION:	NONCUTOFF
LUMENS:	1,756.29
INPUT WATTS:	0

CANDELA PLOT



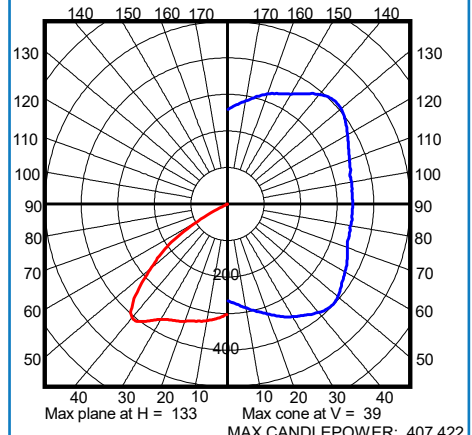
Photometric values based upon tests performed in compliance w/ LM-79.
Download IES files at www.ilp-inc.com

WPCS-50WLED-UNIV-AMBER-T4-FGS

SUMMARY DATA

HEMISPHERES TESTED:	BOTH
EFFICIENCY (Downlight/Uplight):	101.1 % / 0.1 %
EFFICIENCY (Street/House):	50.6 % / 50.6 %
ROADWAY CLASSIFICATION:	TYPE II, SHORT
CUTOFF CLASSIFICATION:	SEMICUTOFF
LUMENS:	817.69
INPUT WATTS:	0

CANDELA PLOT



Photometric values based upon tests performed in compliance w/ LM-79.
Download IES files at www.ilp-inc.com