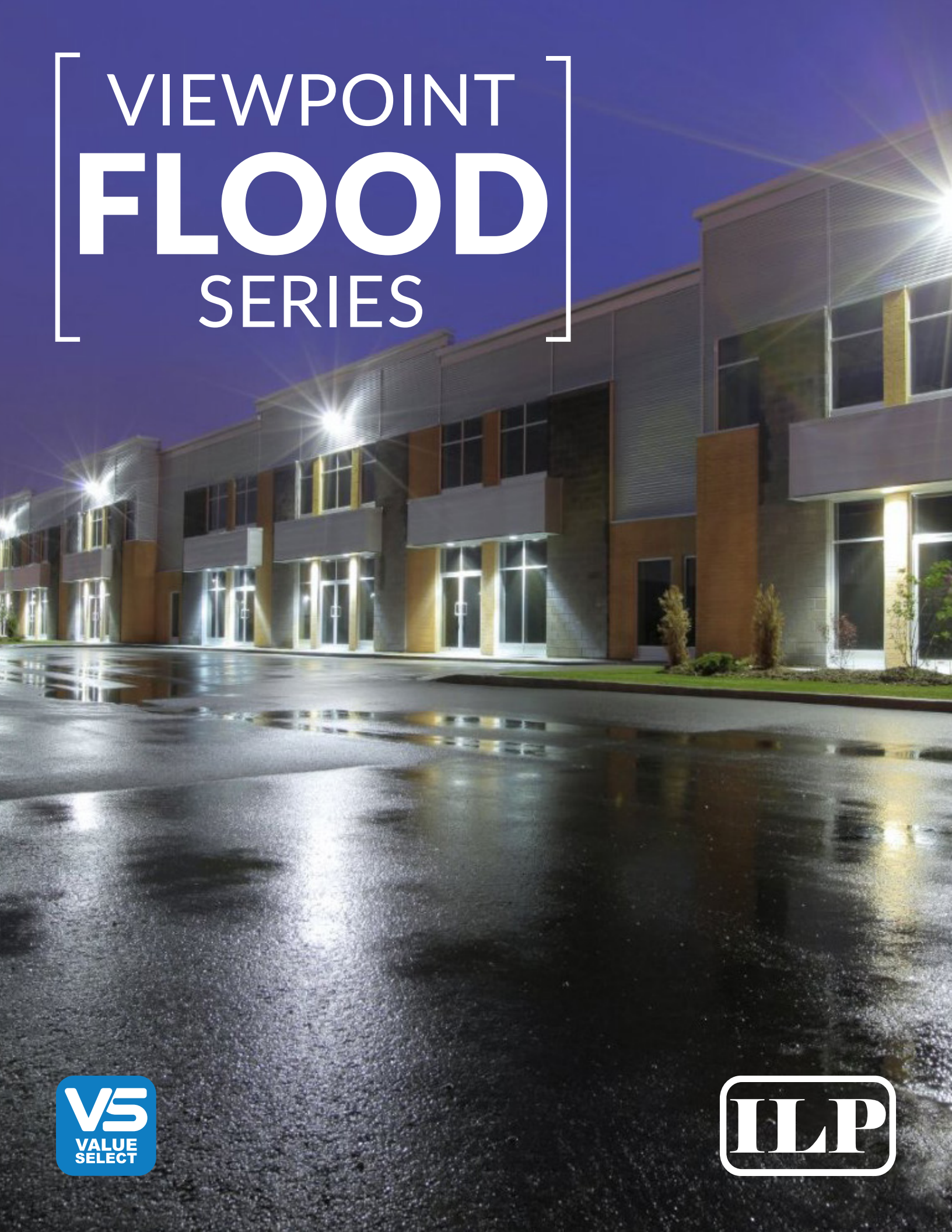


VIEWPOINT **FLOOD** SERIES



V5 VALUE SELECT ViewPoint Flood Series

Get Flooded with Energy savings – up to 85% savings compared to HID

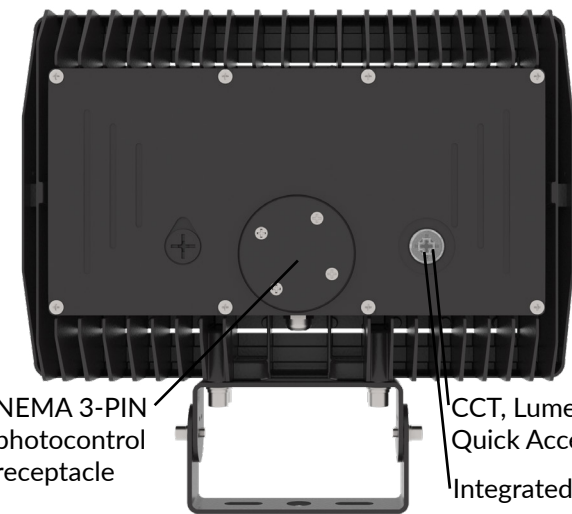
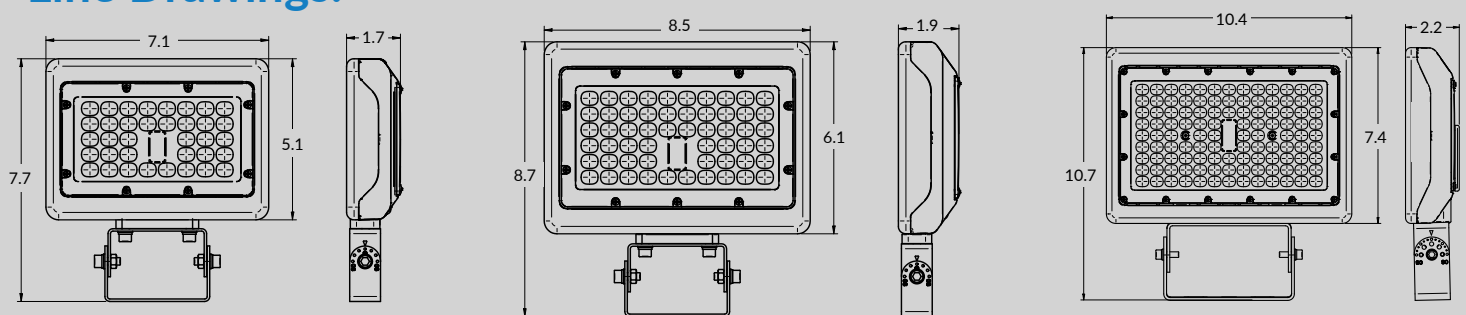
Ultra slim and versatile with five different sizes to choose from, ViewPoint Flood provides application adaptability for pole mount, wall, or ground installations. Ideal for wall washing/grazing, signage, area lighting, landscape lighting, canopy lighting, and general floodlighting

applications. The ViewPoint Flood Series' sleek low-profile designs allow it to discreetly enhance and blend into site surroundings while providing industry leading features and performance. The clear choice for budget friendly flood lights that meet our demanding quality standards and yours.

Key Features:

- CCT Selectable in 3000K, 4000K, & 5000K (Up to 14L Lumen Package)
- 4-step Field Selectable lumen output allows every unit to dim down to 70% the initial lumen output
- Integrated 120-277V Photocell with cutoff switch
- 6kV Surge Protection (VFC 2.5kV)
- Wide range of lumen packages from 2,000 to 40,000 lms
- Up to 159 LM/W for exceptional energy savings
- Wide NEMA 7H6V and Medium NEMA 5Hx4V Distributions
- High ambient temp range from -40°to +50°C

Line Drawings:



NEMA 3-PIN photocontrol receptacle

CCT, Lumen, & Photocell Quick Access Switches
Integrated Photocell



Mounting Options:

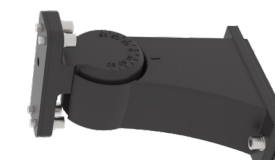
KNK
Knuckle
VFC (Std), VFS (Std)



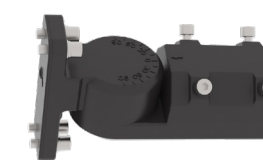
TRN
Trunion
VFC, VFS, VFM (Std), VFL (Std), VFX (Std)



PMB
Adjustable Pole Mount
VFM, VFL, VFX



SLPF
2-3/8" Adjustable Slip Fitter
VFM, VFL, VFX



VFC
2,000
Lumens

VFS
5,000-7,000
Lumens

VFM
10,000-14,000
Lumens

VFL
20,000-30,000
Lumens

VFX
40,000
Lumens

See back for performance table

LED SYSTEMS INFO ¹		3000K		4000K		5000K		Watts ²	DLC Listing
Part Numbers	Optic	Lumens	Efficacy	Lumens	Efficacy	Lumens	Efficacy		
VFC-2L	Medium (5x5)	Full	1943	121.8	2090	135.5	2012	126.5	15.9
		Set 1 (90%)	1826	123.1	1965	136.9	1891	127.9	14.8
		Set 2 (80%)	1632	123.3	1756	137.1	1690	128.1	13.2
		Set 3 (70%)	1418	123.5	1526	137.4	1469	128.3	11.4
	Wide (7x6)	Full	2027	127.5	2189	142.1	2154	134.6	16.0
		Set 1 (90%)	1905	128.8	2058	143.7	2025	136.1	14.9
		Set 2 (80%)	1703	129.0	1839	143.9	1809	136.2	13.3
		Set 3 (70%)	1480	129.3	1598	144.1	1572	136.5	11.5
VFS-5L	Medium (5x5)	Full	5114	123.6	5442	137.4	5279	128.4	41.1
		Set 1 (90%)	4603	126.4	4898	140.6	4751	131.4	36.2
		Set 2 (80%)	4091	125.1	4354	139.2	4223	130.1	32.5
		Set 3 (70%)	3631	129.0	3864	143.5	3748	134.1	27.9
	Wide (7x6)	Full	5236	124.4	5575	140.1	5489	130.7	42.0
		Set 1 (90%)	4712	127.2	5018	143.3	4940	133.7	37.0
		Set 2 (80%)	4189	126.0	4460	141.8	4391	132.3	33.2
		Set 3 (70%)	3718	129.9	3958	146.2	3897	136.4	28.6
VFS-7L	Medium (5x5)	Full	6366	121.7	6929	134.3	6704	125.5	53.4
		Set 1 (90%)	5729	123.1	6236	135.8	6034	127.0	47.5
		Set 2 (80%)	5156	124.8	5612	137.7	5430	128.7	42.2
		Set 3 (70%)	4584	128.9	4989	142.2	4827	132.9	36.3
	Wide (7x6)	Full	6589	123.4	7147	138.2	6861	128.0	53.6
		Set 1 (90%)	5930	124.8	6432	139.8	6175	129.4	47.7
		Set 2 (80%)	5337	126.5	5789	141.7	5557	131.2	42.3
		Set 3 (70%)	4744	130.6	5146	146.4	4940	135.5	36.4
VFM-10L	Medium (5x5)	Full	10058	122.5	10925	138.1	10371	130.1	79.7
		Set 1 (90%)	9455	123.8	10270	139.6	9749	131.5	74.1
		Set 2 (80%)	8549	127.0	9286	143.2	8815	134.9	65.4
		Set 3 (70%)	7443	127.7	8085	144.0	7675	135.6	56.6
	Wide (7x6)	Full	10537	128.2	11464	144.7	11153	135.0	82.6
		Set 1 (90%)	9905	129.6	10776	146.3	10484	136.5	76.8
		Set 2 (80%)	8956	132.9	9744	150.0	9480	140.0	67.7
		Set 3 (70%)	7797	133.6	8483	150.9	8253	140.7	58.6
VFM-14L	Medium (5x5)	Full	12757	123.9	13239	133.7	13172	124.0	106.2
		Set 1 (90%)	11864	125.2	12312	135.2	12250	125.4	97.7
		Set 2 (80%)	10716	126.9	11121	137.0	11064	127.0	87.1
		Set 3 (70%)	9440	129.1	9797	139.4	9747	129.3	75.4
	Wide (7x6)	Full	13189	124.2	14298	139.0	13847	129.8	106.7
		Set 1 (90%)	12266	125.5	13297	140.5	12878	131.2	98.2
		Set 2 (80%)	11079	127.2	12010	142.3	11631	132.9	87.5
		Set 3 (70%)	9760	129.4	10581	144.8	10247	135.3	75.8
VFL-20L	Medium (5x5)	Full			19952	136.7	20400	139.7	146
		Set 1 (90%)			16959	141.7	17340	144.8	120
		Set 2 (80%)			15563	146.1	15912	149.2	107
		Set 3 (70%)			13966	149.5	14280	152.8	93
	Wide (7x5)	Full			20525	140.2	21065	143.2	146
		Set 1 (90%)			17446	145.3	17905	148.4	121
		Set 2 (80%)			16010	149.8	16431	153.0	108
		Set 3 (70%)			14367	153.3	14745	156.6	95
VFL-30L	Medium (5x5)	Full			27118	138.2	27733	141.2	196
		Set 1 (90%)			22779	143.3	23296	146.4	159
		Set 2 (80%)			20881	147.8	21354	151.0	141
		Set 3 (70%)			18440	149.2	18858	152.4	123
	Wide (7x6)	Full			27666	140.9	28303	144.3	196
		Set 1 (90%)			23239	146.2	23775	149.7	166
		Set 2 (80%)			21303	150.7	21793	154.4	148
		Set 3 (70%)			18813	152.1	19246	155.8	129
VFX-40L	Medium (5x5)	Full			43168	153.0	43946	152.3	289
		Set 1 (90%)			36693	156.7	37354	156.0	240
		Set 2 (80%)			33239	157.1	33838	156.4	217
		Set 3 (70%)			29786	160.0	30323	159.3	191
	Wide (7x6)	Full			43981	151.7	44261	152.4	290
		Set 1 (90%)			37384	155.3	37622	156.0	237
		Set 2 (80%)			33865	155.7	34081	156.4	214
		Set 3 (70%)			30347	158.6	30540	159.3	188

PREMIUM

¹Values are nominal, see IES file for more detail

²Electrical data at 25C (77F). Actual wattage may differ by +/-10%.