



DISCOVERY NARROW TROFFER

INSTALLATION INSTRUCTIONS

CAUTION

PLEASE READ INSTRUCTIONS BEFORE COMMENCING INSTALLATION AND RETAIN FOR FUTURE REFERENCE.

Electrical products can cause death or injury, or damage to property. If any doubt about the installation or use of this product, consult a qualified electrician.

WARNING

- To reduce the risk of death, personal injury or property damage from fire, electric shock, falling parts, cuts/abrasions, and other hazards read all warnings and instructions included with and on the fixture box and all fixture labels.
- Before installing, servicing, or performing routine maintenance on this fixture, follow these general precautions.
- Commercial installation, service and maintenance of luminaires should be performed by a qualified licensed electrician.
- To prevent wiring damage or abrasion, do not expose wiring to edges of sheet metal or other sharp objects.
- Do not make or alter any open holes in an enclosure of wiring or electrical components during kit installation

WARNING

- Turn off electrical power at fuse or circuit breaker box before wiring fixture to the power supply.
- Turn off the power when you perform any maintenance.
- Verify that supply voltage is correct by comparing it with the luminaire label information.
- Inspect each fixture for signs of damage before beginning installation; do NOT install any fixture that is damaged.
- Installation location must not hinder ventilation to the fixture unless product specifications indicate otherwise.
- All wiring connections should be capped with UL approved wire connectors.

CAUTION

- Avoid direct eye exposure to the light source while it is on.
- Account for small parts and destroy packing material, as these may be hazardous to children.
- Risk of burn. Disconnect power and allow fixture to cool before handling fixture.

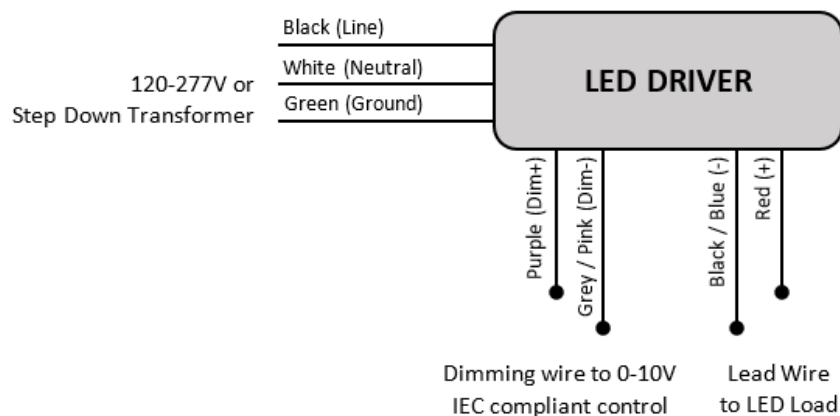
NOTICE: Ground stud provided in proper location. Do not relocate.

NOTICE: Minimum 90° supply conductors.

NOTICE: Specifications and dimensions subject to change without notice.

NOTICE: Suitable for Damp or Dry location.

General Wiring Diagram





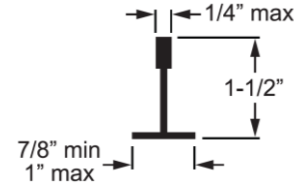
DISCOVERY NARROW TROFFER

INSTALLATION INSTRUCTIONS

NEMA Type "G" Installation

NEMA "G" (Grid) Fixture

The Discovery Narrow Troffer fixture is designed to fit securely into a standard NEMA Type "G", 15/16" or 1" nominal T-bar system as well as accommodate NEMA type "NFG", 9/16" nominal T-bar systems without modification. Consult factory for use with other grid systems.



BEFORE INSTALLATION

Select the desired fixture mounting location. The fixture may be mounted in the center (Figure 1) or on either side (left or right) of the ceiling grid (Figure 2).

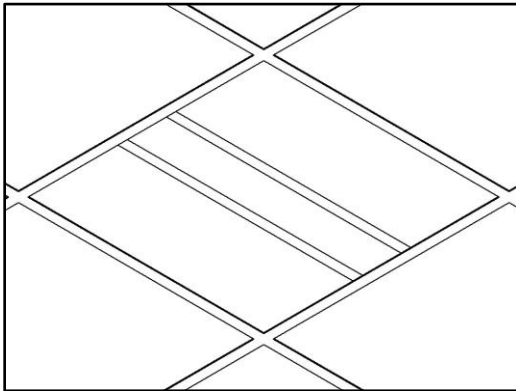


Figure 1

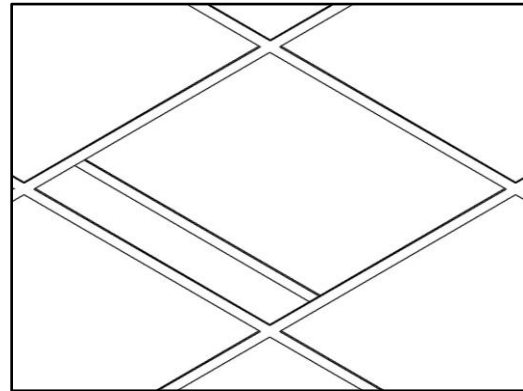


Figure 2

CEILING TILE PREPARATION

Using a drywall saw or razor blade, cut the ceiling tile(s) to the correct size based on the desired mounting location (Table 1).

Grid Size	Mounting Location	Ceiling Tile Dimensions
2X2	Center	23.8" x 9.45" (2x)
	Side	23.8" x 19.1"
2X4	Center	47.8" x 9.45" (2x)
	Side	47.8" x 19.1"

Table 1

CROSS TEE PREPARATION

Snip off the end tabs from the cross tees (not included) as shown in Figure 3.

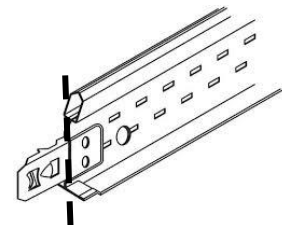


Figure 3



DISCOVERY NARROW TROFFER

INSTALLATION INSTRUCTIONS

GRID CEILING PREPARATION FOR 8FT FIXTURES

If installing an 8ft fixture, cut and remove 4.5" wide sections of rail from the existing grid system at the locations where the fixture will intersect the grid. For a 2x2 grid system, three rails must be cut (Figure 4). For a 2x4 grid system, one rail must be cut (Figure 5).

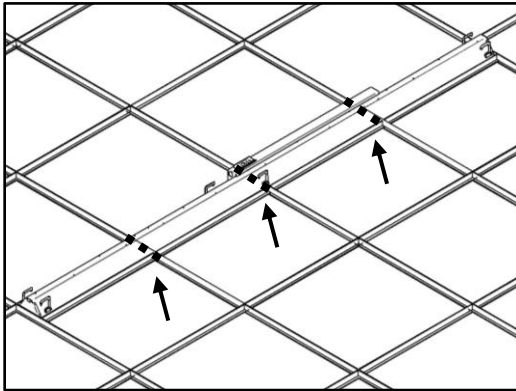


Figure 4

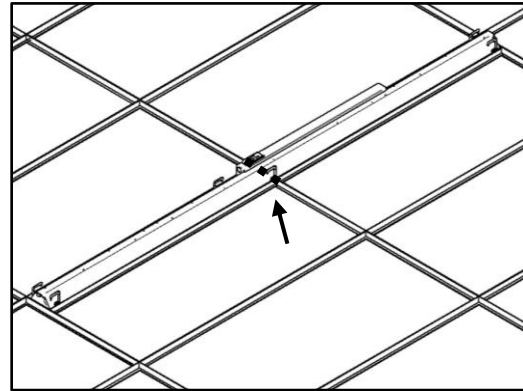


Figure 5

FIXTURE INSTALLATION

Lay the fixture into the T-grid along with cross tee(s) at the desired mounting location (Figure 6 & 7). Then attach the cross tee(s) to the grid using rivets.

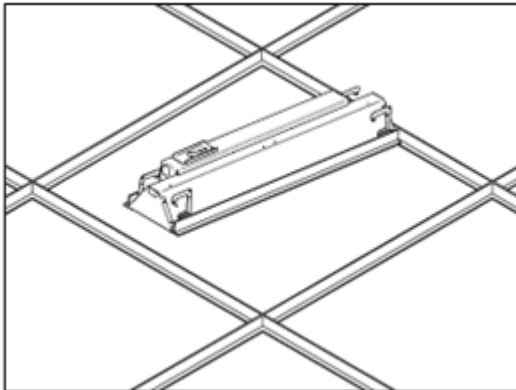


Figure 6

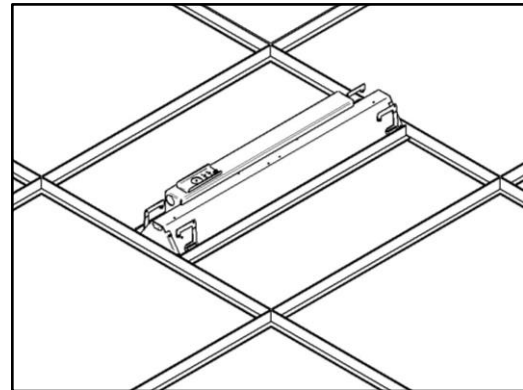


Figure 7

Bend the fixture brackets over the cross tee (Figure 8). Use self-tapping screws to secure the brackets to the cross tee (Figure 9).

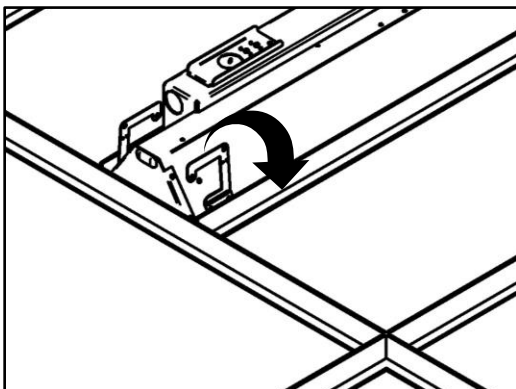


Figure 8

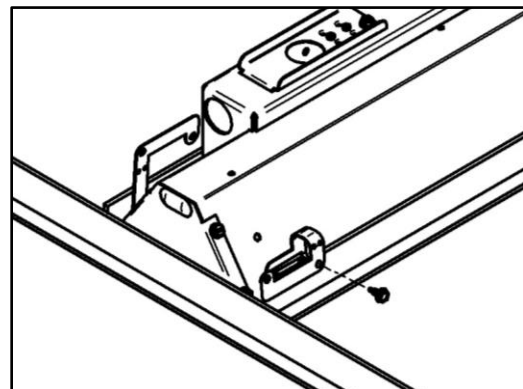


Figure 9



DISCOVERY NARROW TROFFER

INSTALLATION INSTRUCTIONS

For 2ft and 4ft fixtures, center mounting requires 4 brackets (Figure 10) and side mounting requires 2 brackets (Figure 11). For 8ft fixtures, center mounting requires 6 brackets (Figure 12) and side mounting requires 3 brackets (Figure 13).

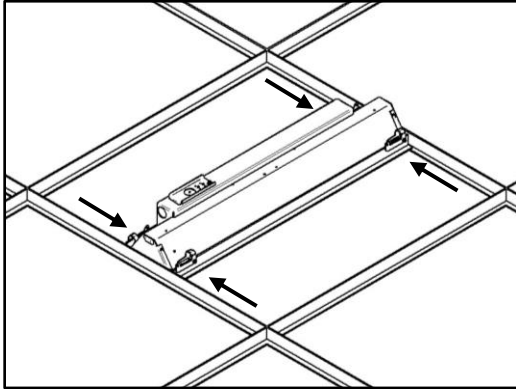


Figure 10

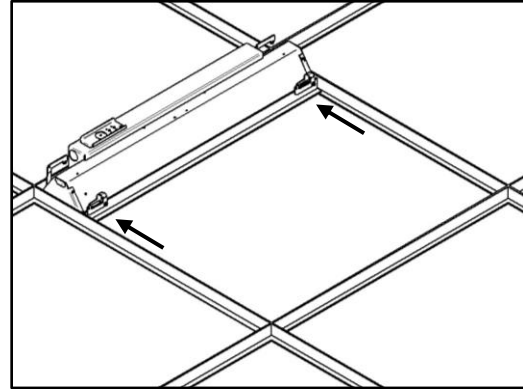


Figure 11

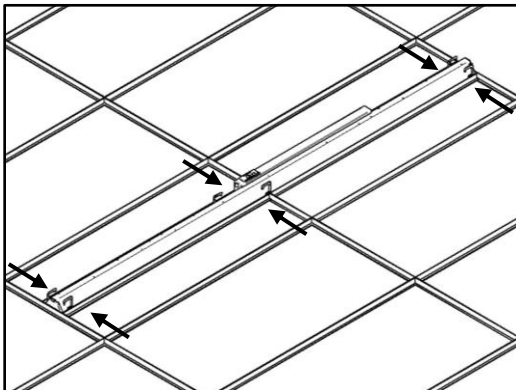


Figure 12

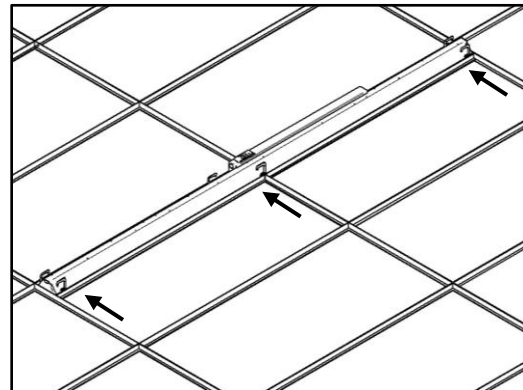


Figure 13

Complete all necessary wiring connections to the fixture. Lay the ceiling tile(s) into the T-grid next to the fixture to complete the installation (Figure 14).

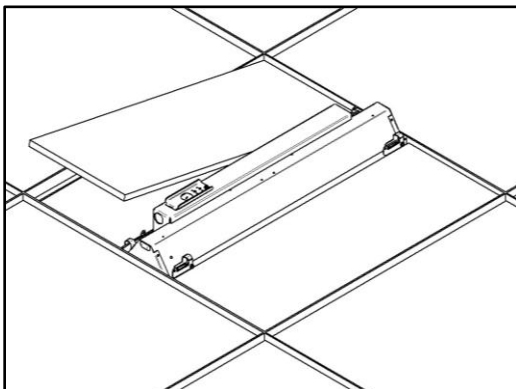


Figure 14

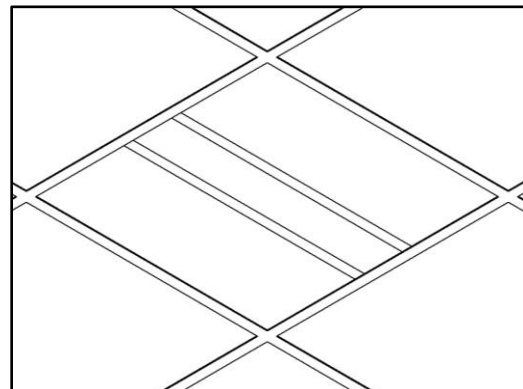


Figure 15



DISCOVERY NARROW TROFFER

INSTALLATION INSTRUCTIONS

Additional Accessories – Surface Mount

Position the surface mount box at the desired mounting location for the fixture and run necessary wires through one of the knockouts on the back of the surface mount box. Use a cordless drill or screwdriver to secure the luminaire to the ceiling surface using the appropriate mounting hardware. The kit is designed to be used with a maximum of 3/16" diameter hardware. (Figure 16)

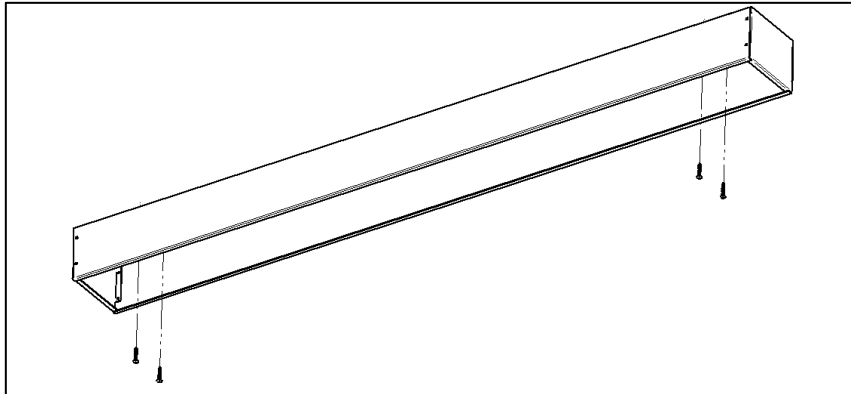


Figure 16

Slide the fixture partway into the surface mount box. Remove the access plate from the rear of the driver box and make the wiring connections according to state and federal regulations. (Figure 17)

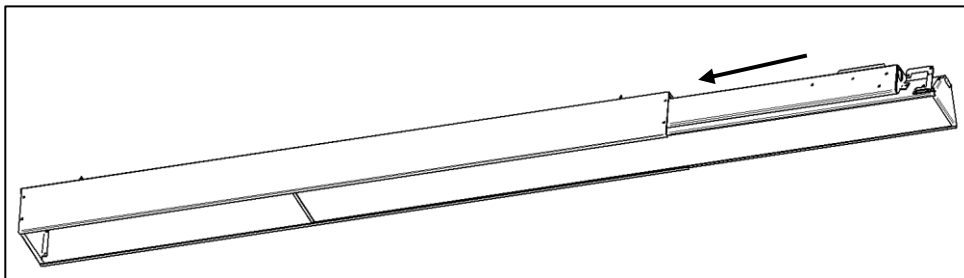


Figure 17

Slide the fixture fully into the surface mount enclosure. Use provided hardware to screw the end cap to the surface mount box to complete installation. (Figure 18)

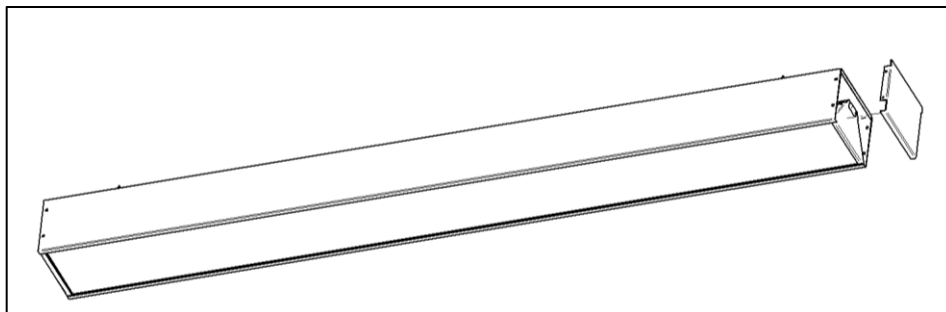


Figure 18



DISCOVERY NARROW TROFFER

INSTALLATION INSTRUCTIONS

Additional Accessories – Flange Kit

Follow the steps in the “Before Installation” section on page 2.

Attach the Flange kit components together using the 8 provided screws (Figure 19). Lay the flange kit into the ceiling cavity at the desired mounting location (Figure 20).

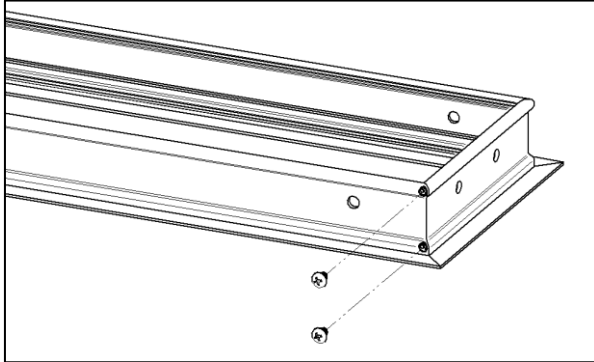


Figure 19

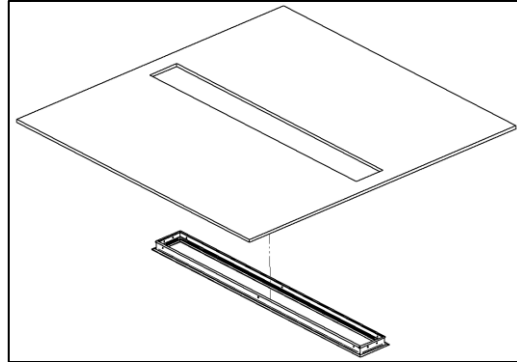


Figure 20

Suspend frame from four points using the holes provided on the supports (Figure 21).

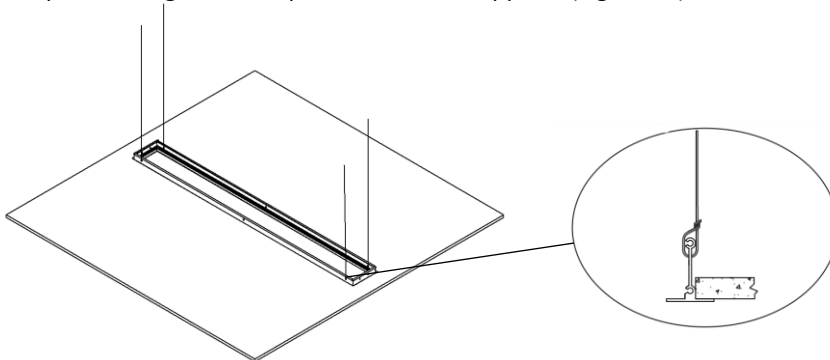


Figure 21

Wire and insert fixture into ceiling and maneuver into place just as in a grid ceiling to complete installation (Figures 22 & 23).

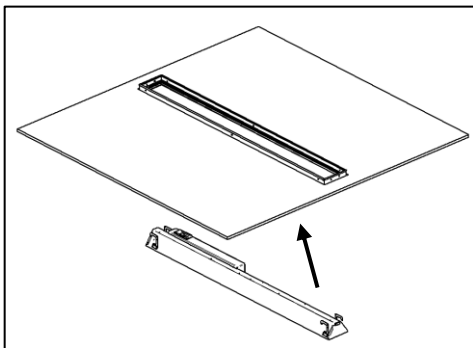


Figure 22

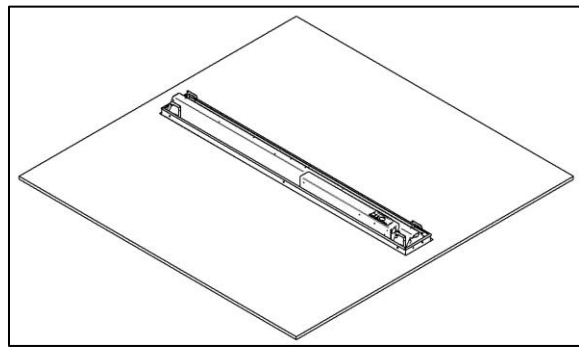


Figure 23



DISCOVERY NARROW TROFFER

INSTALLATION INSTRUCTIONS

Additional Accessories – Skylight Mount Kit

Follow the steps in the “Before Installation” and “Grid Ceiling Preparation for 8FT Fixtures” sections on pages 2 and 3 if necessary. Lay the sky light mount kit into the T-grid along with cross tee(s) at the desired mounting location (Figure 24). Then attach the cross tee(s) to the grid using rivets.

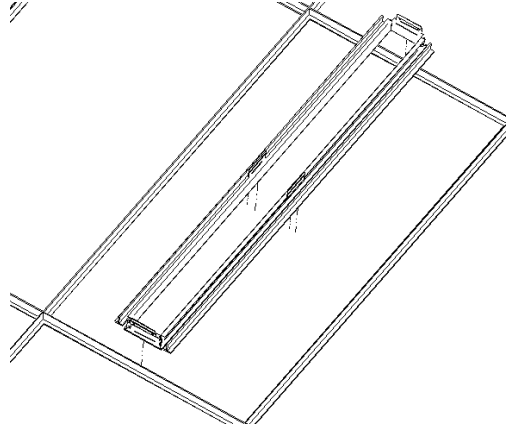


Figure 24

Place the fixture into the skylight mount kit. Secure the fixture to the skylight mount kit using the four screws provided (Figure 25).

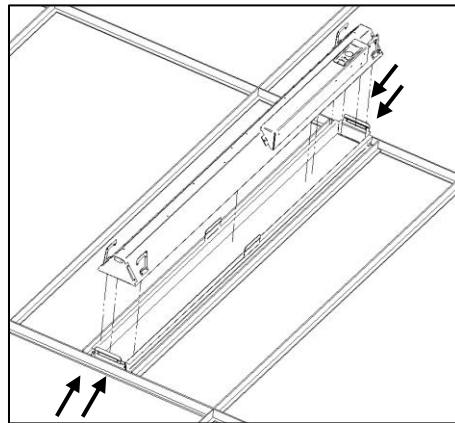


Figure 25

Once attached, fold the four tabs towards the fixture (Figure 26). Complete all necessary wiring connections to the fixture. Lay the ceiling tile(s) into the T-grid next to the fixture to complete the installation (Figure 14).

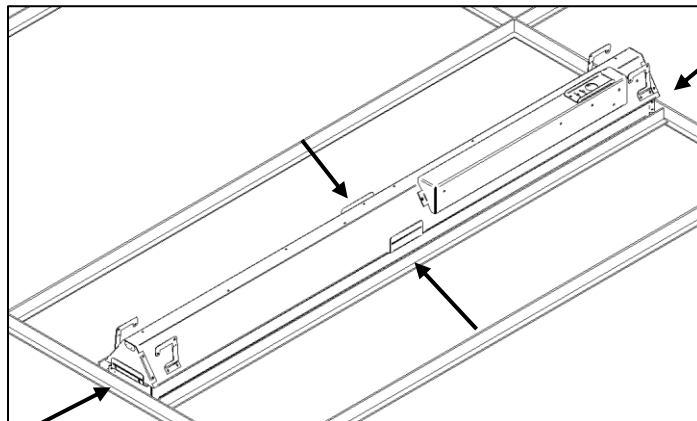


Figure 26



DISCOVERY NARROW TROFFER

INSTALLATION INSTRUCTIONS

Troubleshooting

If the fixture fails to operate once installation has been completed:

- Ensure there is power to the fixture.
- Ensure the fixture is properly wired and grounded.
- Check to see if there are any loose wires inside the light fixture.
- Ensure the line voltage at the fixture is correct.

If none of these steps resolve the issue, contact your ILP representative for further assistance.