



DISCOVERY DSC LINEAR STRIP

INSTALLATION INSTRUCTIONS

CAUTION

PLEASE READ INSTRUCTIONS BEFORE COMMENCING INSTALLATION AND RETAIN FOR FUTURE REFERENCE.
Electrical products can cause death or injury, or damage to property. If any doubt about the installation or use of this product, consult a qualified electrician.

WARNING

- To reduce the risk of death, personal injury or property damage from fire, electric shock, falling parts, cuts/abrasions, and other hazards read all warnings and instructions included with and on the fixture box and all fixture labels.
- Before installing, servicing, or performing routine maintenance on this fixture, follow these general precautions.
- Commercial installation, service and maintenance of luminaires should be performed by a qualified licensed electrician.
- To prevent wiring damage or abrasion, do not expose wiring to edges of sheet metal or other sharp objects.
- Do not make or alter any open holes in an enclosure of wiring or electrical components during kit installation

WARNING

- Turn off electrical power at fuse or circuit breaker box before wiring fixture to the power supply.
- Turn off the power when you perform any maintenance.
- Verify that supply voltage is correct by comparing it with the luminaire label information.
- Inspect each fixture for signs of damage before beginning installation; do NOT install any fixture that is damaged.
- Installation location must not hinder ventilation to the fixture unless product specifications indicate otherwise.
- All wiring connections should be capped with UL approved wire connectors.

CAUTION

- Avoid direct eye exposure to the light source while it is on.
- Account for small parts and destroy packing material, as these may be hazardous to children.
- Risk of burn. Disconnect power and allow fixture to cool before handling fixture.

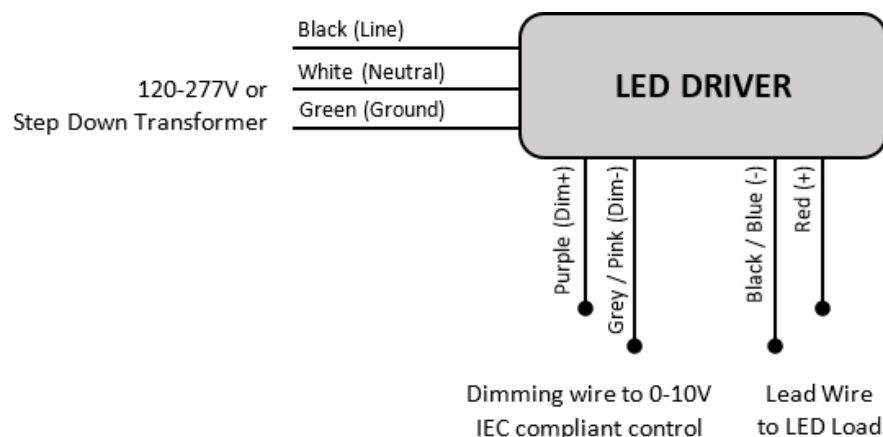
NOTICE: Ground stud provided in proper location. Do not relocate.

NOTICE: Minimum 90° supply conductors.

NOTICE: Specifications and dimensions subject to change without notice.

NOTICE: Suitable for Damp or Dry location.

General Wiring Diagram





DISCOVERY DSC LINEAR STRIP

INSTALLATION INSTRUCTIONS

V-Clip Installation

Insert hook-end of v-clips through the mounting holes at each end of the fixture body. 2' Discovery fixtures have clip distance of ~19.0", 4' Discovery fixtures have a clip distance of ~43.0", and 8' Discovery fixtures have a clip distance of ~91.0". (Figure 1)

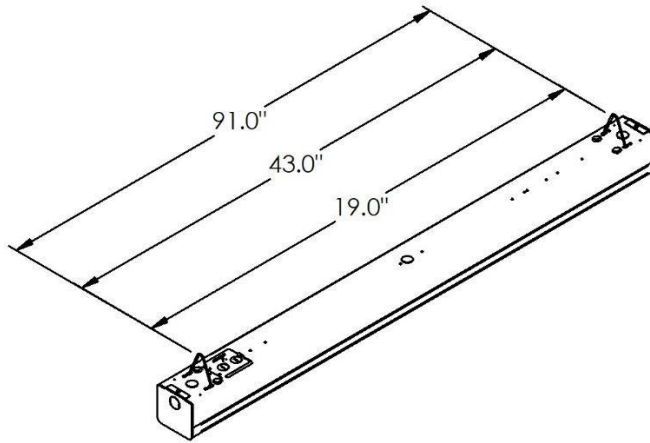


Figure 1

Cable Kit Installation

Insert each cable's toggle plates into the circular holes located at each end of the fixture. Pull on each cable to make sure the toggle plates are securely in place. 2' Discovery fixtures have cable distance of ~19.0", 4' Discovery fixtures have a cable distance of ~43.0", and 8' Discovery fixtures have a cable distance of ~91.0". (Figure 2)

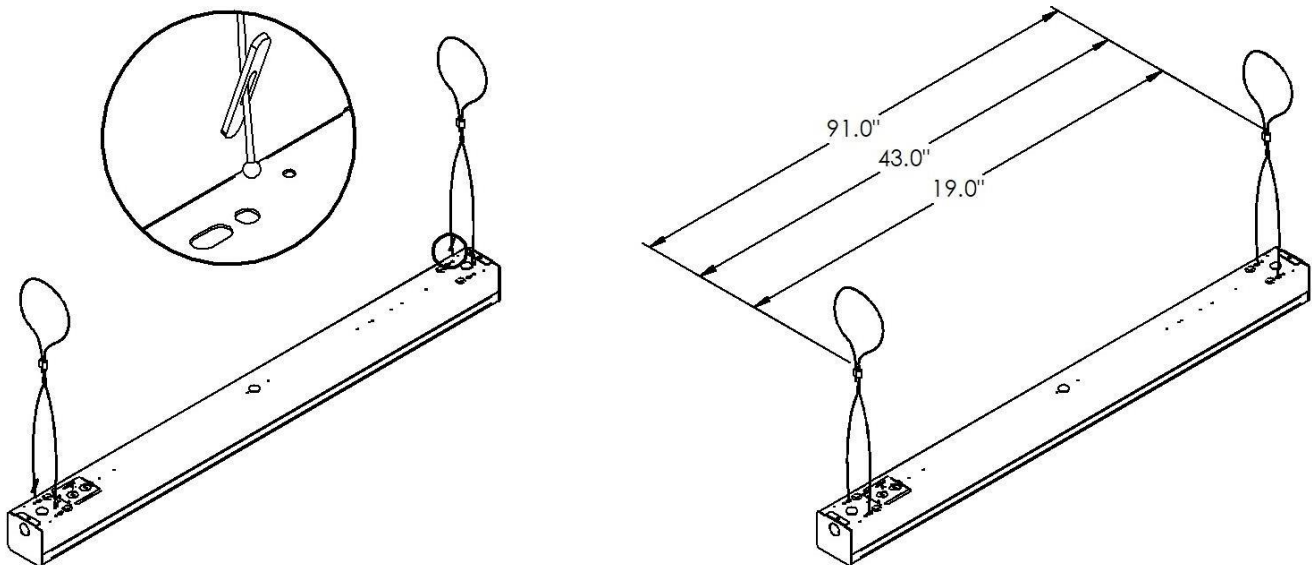


Figure 2



DISCOVERY DSC LINEAR STRIP

INSTALLATION INSTRUCTIONS

Surface Mount Installation

Remove the lens from the fixture according to the lens removal instructions. Remove the hex screws holding the LED tray to the fixture body. Remove the LED tray from the fixture. Place the fixture against the desired surface and drill through the back of the housing with suitable screws to attach the fixture to the ceiling. Make sure the fixture is attached according to local and federal standards. Reattach the LED tray and reinstall the lens according to the lens installation instructions. (Figure 3)

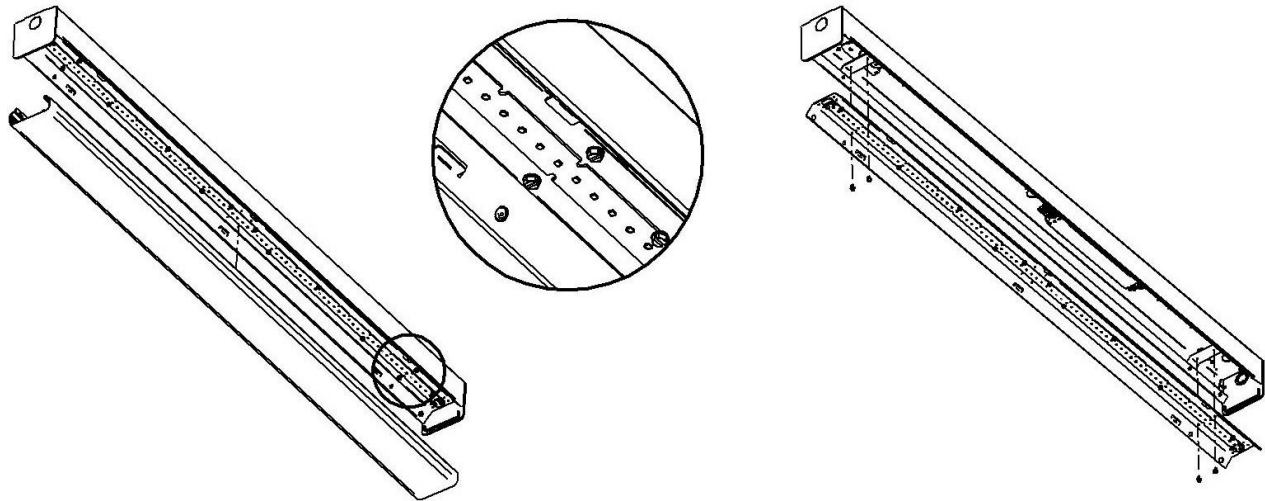


Figure 3

Fixture Mounting Box Installation

Install conduit hub or hook in the top of the fixture mounting box. Slide the box onto the preinstalled mounting plate and secure with the provided screw. Feed wires into the mounting box and complete all necessary wiring connections. Tuck wires into the mounting box and install the side panel with the provided screw. Be careful not to pinch wires. (Figure 4)

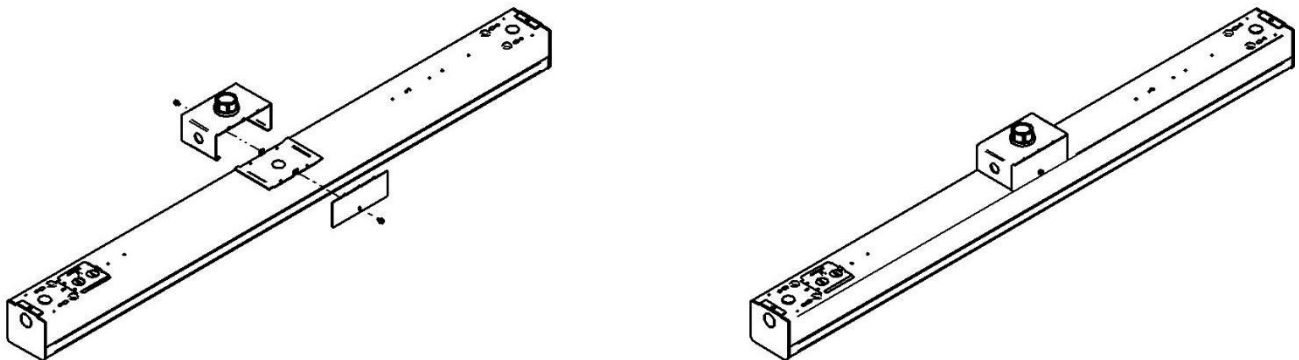


Figure 4



DISCOVERY DSC LINEAR STRIP

INSTALLATION INSTRUCTIONS

45 Degree Mounting Bracket Installation

Attach the two 45-degree mounting brackets to the wall using suitable screws. 2' Discovery fixtures have a mounting distance of ~20.000", 4' Discovery fixtures have a mounting distance of ~43.875", and 8' Discovery fixtures have a mounting distance of ~91.875". Remove the lens from the fixture according to the lens removal instructions. Remove the hex screws holding the LED tray to the fixture body and remove the LED tray from the fixture. Attach the mounting brackets to the back of the fixture using the provided hardware. Make sure the fixture is attached according to local and federal standards. Reattach the LED tray and reinstall the lens according to the lens installation instructions. (Figure 5)

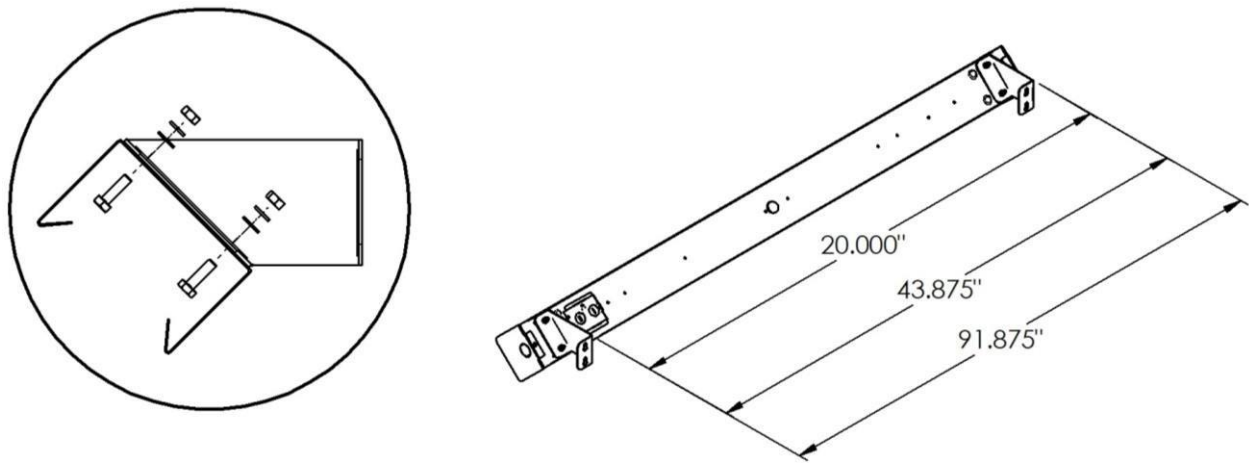


Figure 5

Continuous Row Alignment Bracket Installation

Position two Discovery fixtures end to end so that the end panels are aligned with each other. Position the alignment bracket between the two fixtures. Screw the alignment bracket into the existing mounting holes on the back of the fixtures using the provided screws. Tighten the screws until the alignment bracket is flush against the back of the fixtures. (Figure 6)

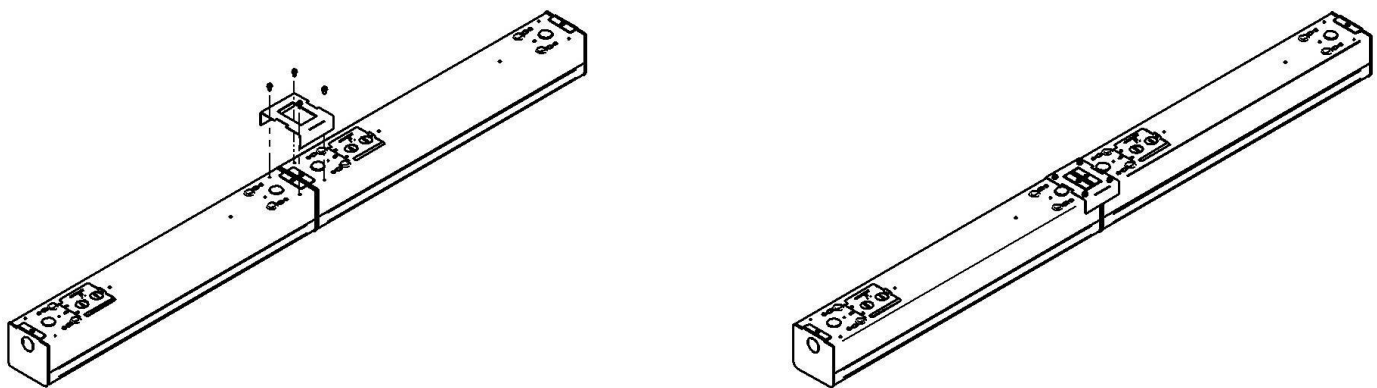


Figure 6



DISCOVERY DSC LINEAR STRIP

INSTALLATION INSTRUCTIONS

Quick Surface Mounting Bracket Installation

Attach two quick mount brackets to the ceiling using suitable screws. 2' Discovery fixtures have a mounting distance of ~20.000", 4' Discovery fixtures have a mounting distance of ~43.875", and 8' Discovery fixtures have a mounting distance of ~91.875". Remove the lens from the fixture according to the lens removal instructions. Push the fixture up into the surface mount brackets until the brackets snap into place. Secure the brackets with the provided hardware. Make sure the fixture is attached according to local and federal standards. Reinstall the lens according to the lens installation instructions. (Figure 5)

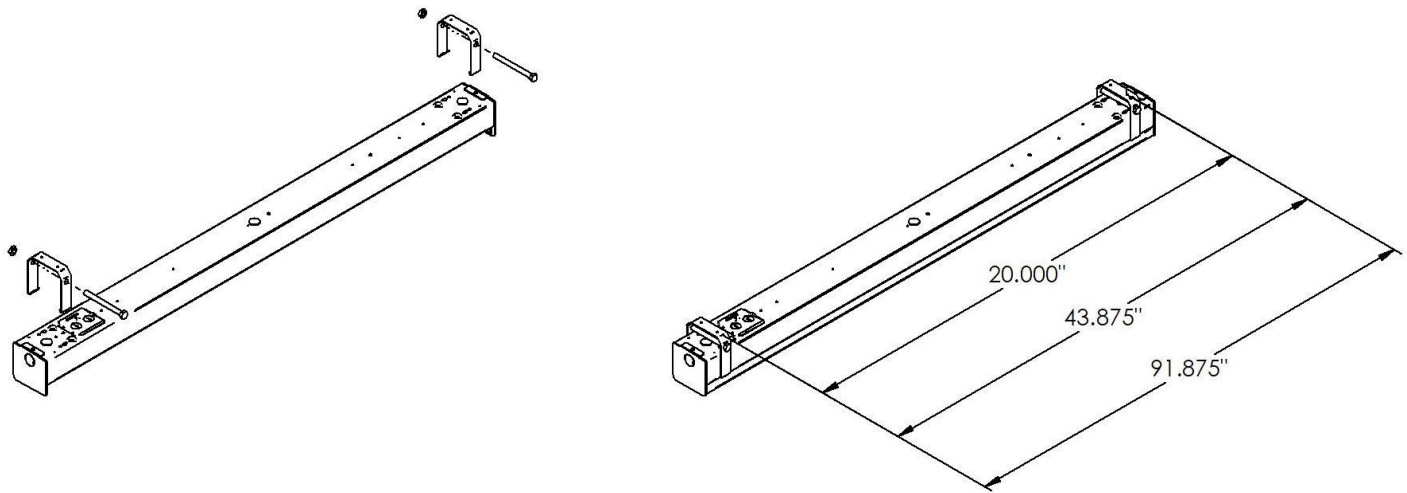


Figure 5



DISCOVERY DSC LINEAR STRIP

INSTALLATION INSTRUCTIONS

TGMB Installation

Detach the lens, remove the LED tray. Place Suspended Ceiling Clips in the T-Grid look below for location (Figure 8)

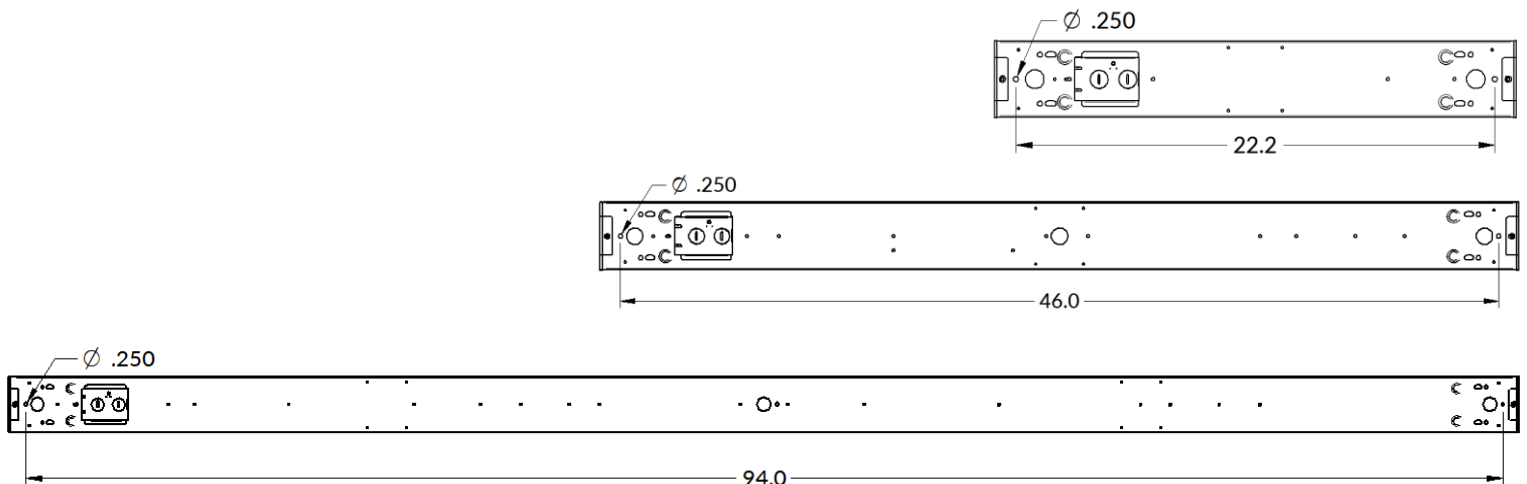
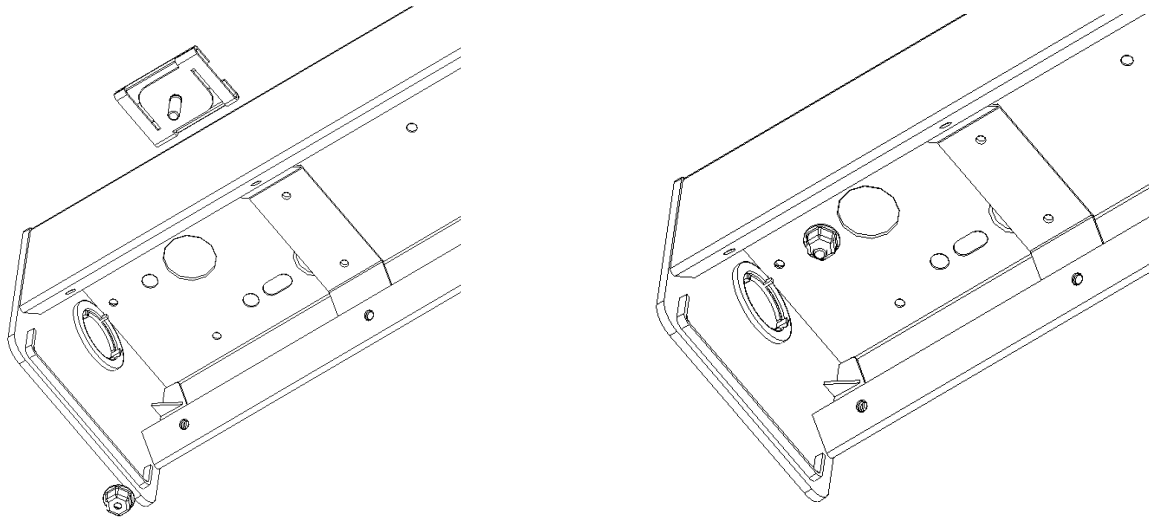
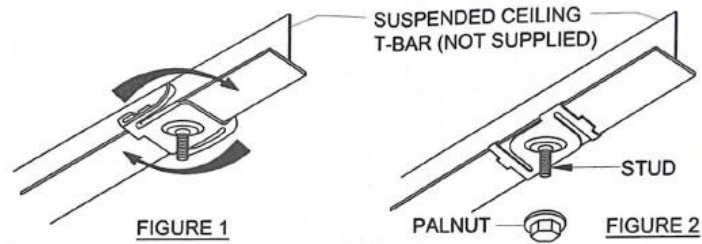


Figure 8

Reattach the LED tray and reinstall the lens according to the lens installation instructions



DISCOVERY DSC LINEAR STRIP

INSTALLATION INSTRUCTIONS

Reflector Installation

Align the reflector so that it is centered along the length of the fixture and the tabs at the top of the reflector are flush against the back of the fixture. Use the provided self-drilling screws to mount the reflector to the side of the fixture. Tighten the screws until the reflector is flush against the side of the fixture and the reflector is secure. (Figure 8)

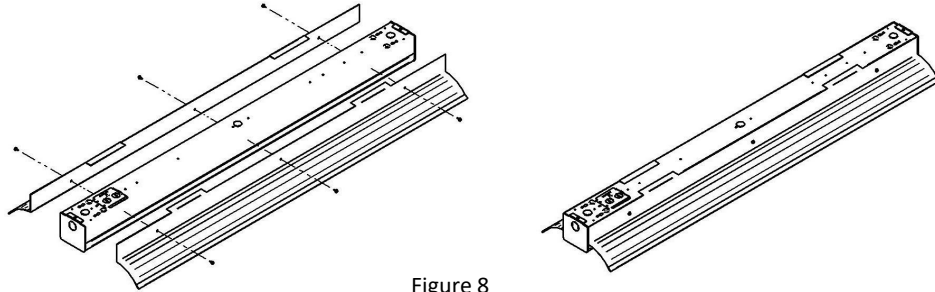


Figure 8

Wire Cage Installation

Align the wire cage so that it is centered over the fixture. Install the provided mounting clips on the edge of the wire cage at each of the four corners. Use the provided self-drilling screws to attach the clips to the sides of the fixture. Tighten the screws until the clips are flush against the sides of the fixture and the wire cage is secured. (Figure 5)

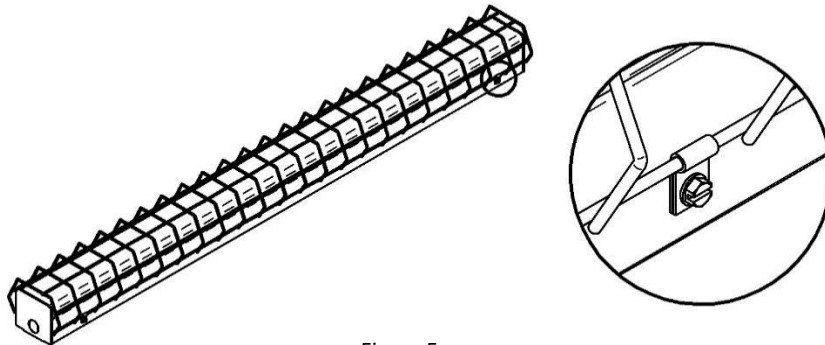


Figure 5

Troubleshooting

If the fixture fails to operate once installation has been completed:

- Ensure there is power to the fixture.
- Ensure the fixture is properly wired and grounded.
- Check to see if there are any loose wires inside the light fixture.
- Ensure the line voltage at the fixture is correct.

If none of these steps resolve the issue, contact your ILP representative for further assistance.

Maintenance

Depending on the application of the fixture, maintenance schedules will vary and should be developed by the customer following periodic observation once fixtures are in operation. At a minimum, the exterior surfaces should be wiped down as part of regular maintenance. If a more thorough cleaning is required or desired, the lenses may be removed and cleaned according to the following instructions.

Always ensure power is turned off or disconnected before proceeding with maintenance. Once the fixture is powered off, ensure it is given enough time to cool.



DISCOVERY DSC LINEAR STRIP

INSTALLATION INSTRUCTIONS

Lens Removal and Cleaning

Detach the lens by slightly squeezing the sides of the lens to unhook it from the lens tabs on the inside of the LED tray. Carefully rotate the lens around the end panel glare lip and remove it. (Figure 6)

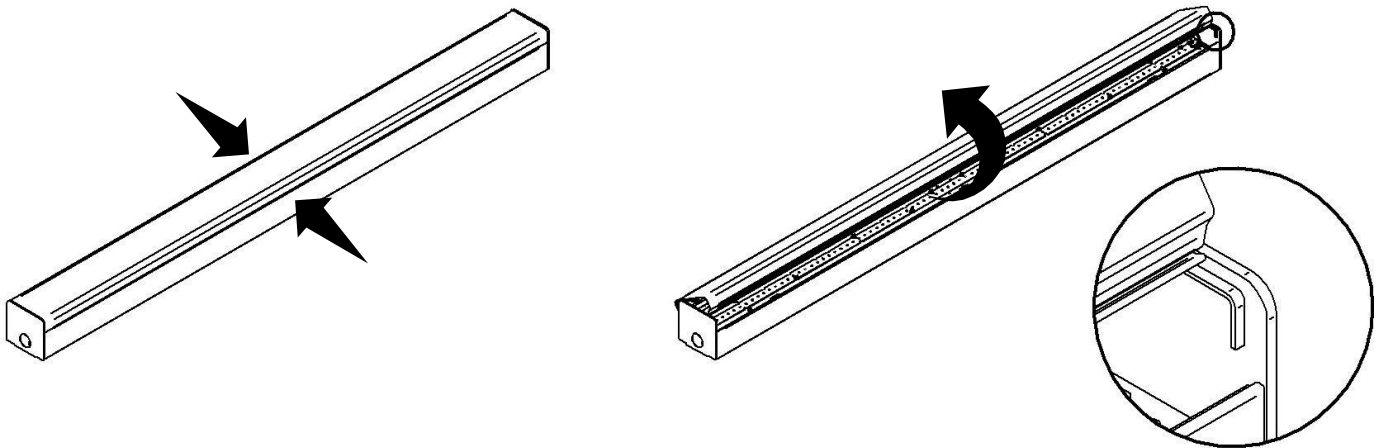


Figure 6

Clean the lens with a solution of warm water and mild soap, using non-abrasive materials. Rinse with clean water and dry. Reinstall the lens according to the following instructions.

Lens Installation

Insert the edge of the lens in between the end panel glare lip and the LED tray. Rotate the lens around the end panel glare lip and position it so that the lens is centered over the LED tray. Slightly squeeze along the sides of the lens to hook the lens to the lens tabs on the inside of the LED tray. (Figure 7)

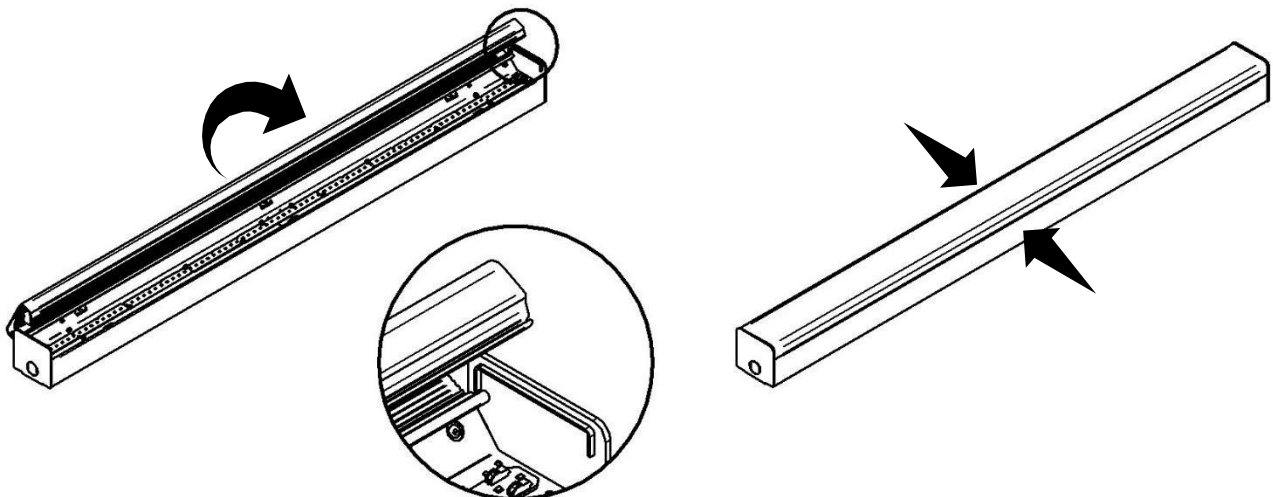


Figure 7