

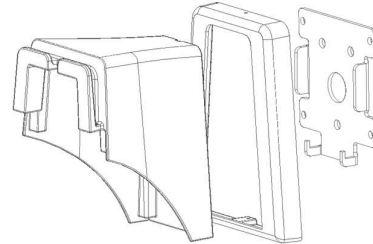


INSTALLATION INSTRUCTIONS

MODELS: All SAS & SAM Fixtures

1. Introduction

- Tools Needed:
Drill with Philips Head Bit or Philips Head Screwdriver
Socket Wrench with 3/8" Socket & 3/8" Wrench



Warning:

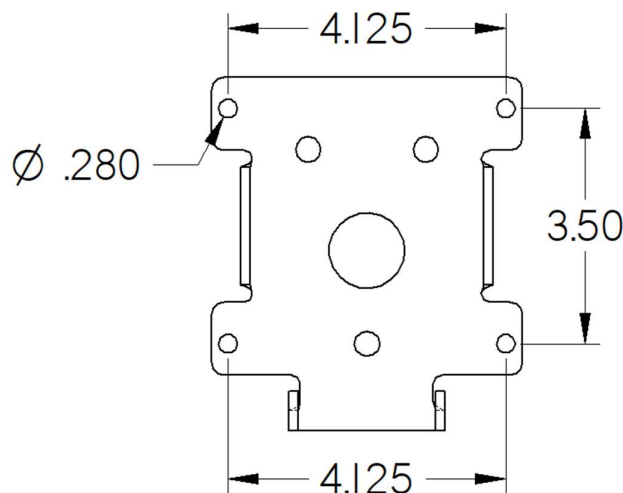
To avoid the risk of fire, explosion, or electric shock, this product shall be installed, inspected, and maintained by a qualified electrician, in accordance with all applicable electrical codes.

Warning:

To avoid electric shock:

- Allow product to cool before servicing.
- Be certain electrical power is OFF before and during installation or maintenance.
- Luminaire must be connected to a wiring system with equipment-grounding conductor.

2. Drill Pattern



Step 1

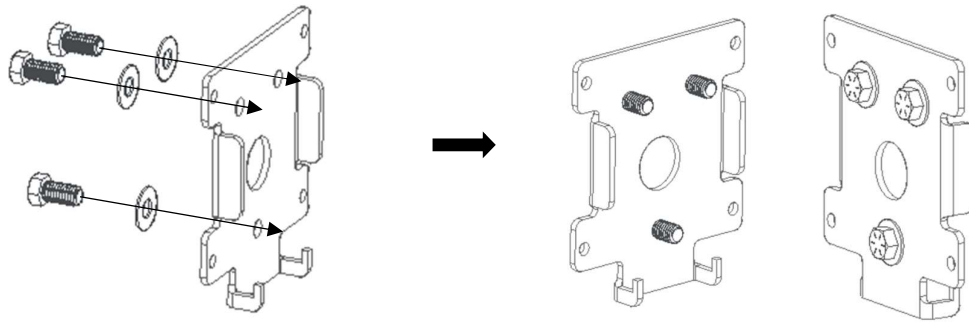
Align mounting plate to desired location and mark mounting locations. Prepare surface (drill, etc) for fasteners (provided by others) appropriate to attach to the surface.

ILP

3. Installation

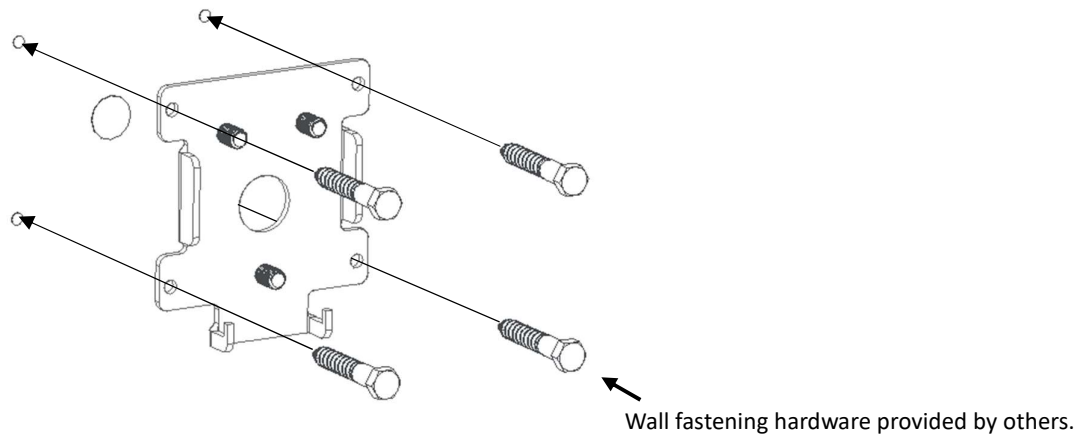
Step 2

Thread (3x) provided screws through (3x) washers into the plate in the direction shown in the graphics below.



Step 3

With the 3 screws threaded through the washers and mounting plate, install fasteners (not provided) to attach the mounting plate to the surface. **Step 1.**

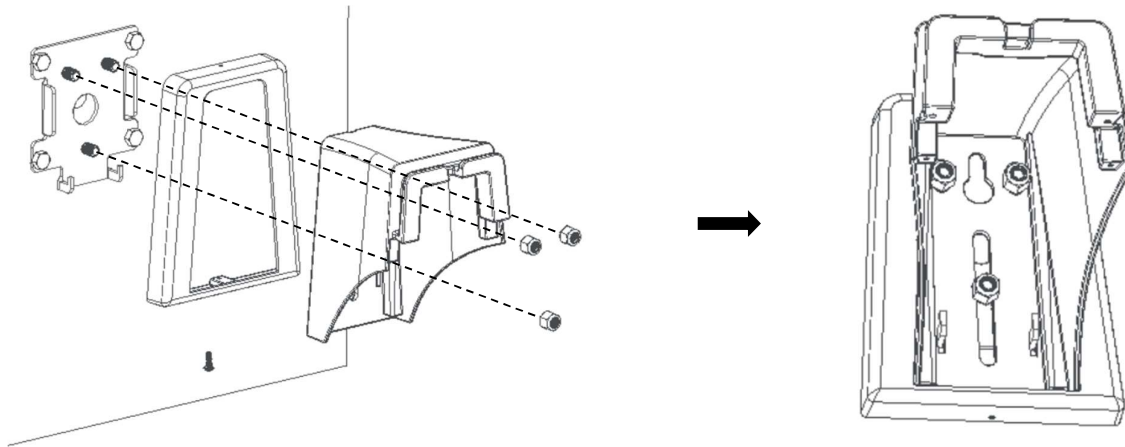


ILP

519 Codisco Way, Sanford, FL 32771
Phone: (407) 478 3759 Fax: (407) 478 3760
www.ilp-inc.com

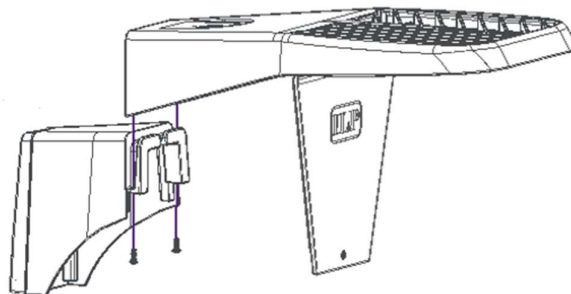
Step 4

Install the Universal Mounting Bracket Cover and Universal Mounting Bracket to the mounting plate attached to the wall by placing them against the wall while lining up the 3 screws on the mounting plate to the respective mounting holes on the Bracket. Tighten 3 nuts to the screws to secure the bracket to the mounting plate.



Step 5

Open the driver door to the Skyline fixture and align with the UMB bracket. Slide the fixture down over the UMB bracket channel so that the fixture and bracket are flush. Attach the (2x) provided 8/32" screws through the UMB bracket bottom to secure the Skyline fixture. Tighten screws to 10 ft-lbs.

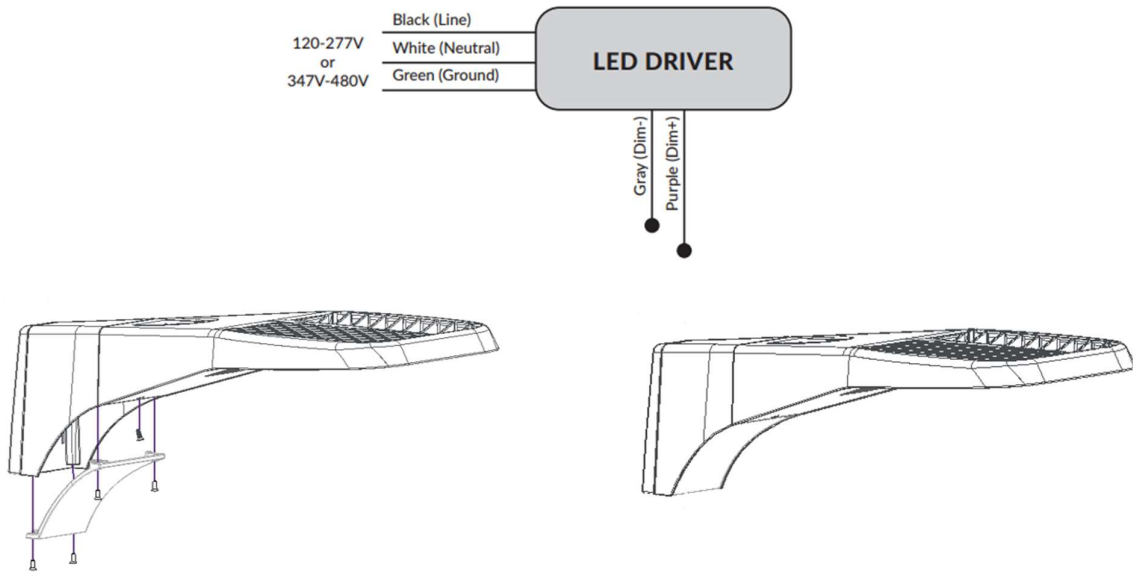


ILP

519 Codisco Way, Sanford, FL 32771
Phone: (407) 478 3759 Fax: (407) 478 3760
www.ilp-inc.com

Step 6

Route wires located in driver compartment through supplied grommet and make the necessary wiring connections. Close driver door and secure with reused 8/32" screw and tighten to 10 ft-lbs. Locate the bracket cover under the UMB bracket and secure with the (4) reused screws and tighten to 10 ft-lbs.



After installation, please

- Ensure the fixture is firmly secured to the pole. Turn the power on and check for proper operation of luminaire.

ILP

519 Codisco Way, Sanford, FL 32771
Phone: (407) 478 3759 Fax: (407) 478 3760
www.ilp-inc.com